



Founded 1966

T & Y Type

CUSTOMER NUMBER

PARTS CATALOGUE



British Motor
Heritage Approved

**NOW IN OUR
28TH EDITION**

www.mgbits.com



Parts for TA to TF 1936-55, YA YB YT, MGA & Magnette

Secure online shopping at: www.mgbits.com or by phone



Mike (with TD) & Paul (with MGA) outside our Ipswich premises



Paul, Charley, Mikey
Mike in car





Customer Number



Your Customer Number

is shown on the front cover. Please use this, if possible, when contacting us as it will enable us to quickly find your details for placing orders or answering any queries.

If you have our catalogue part numbers ready, this will also speed up the processing of orders.

**NTG Motor Services Ltd
282-284 Bramford Road
Ipswich IP1 4AY
Tel: +44(0)1473 406031/2
Fax: +44(0)1473 742087
sales@mgbits.com**

British Motor Heritage Approved - founded 1966



British Motor
Heritage Approved

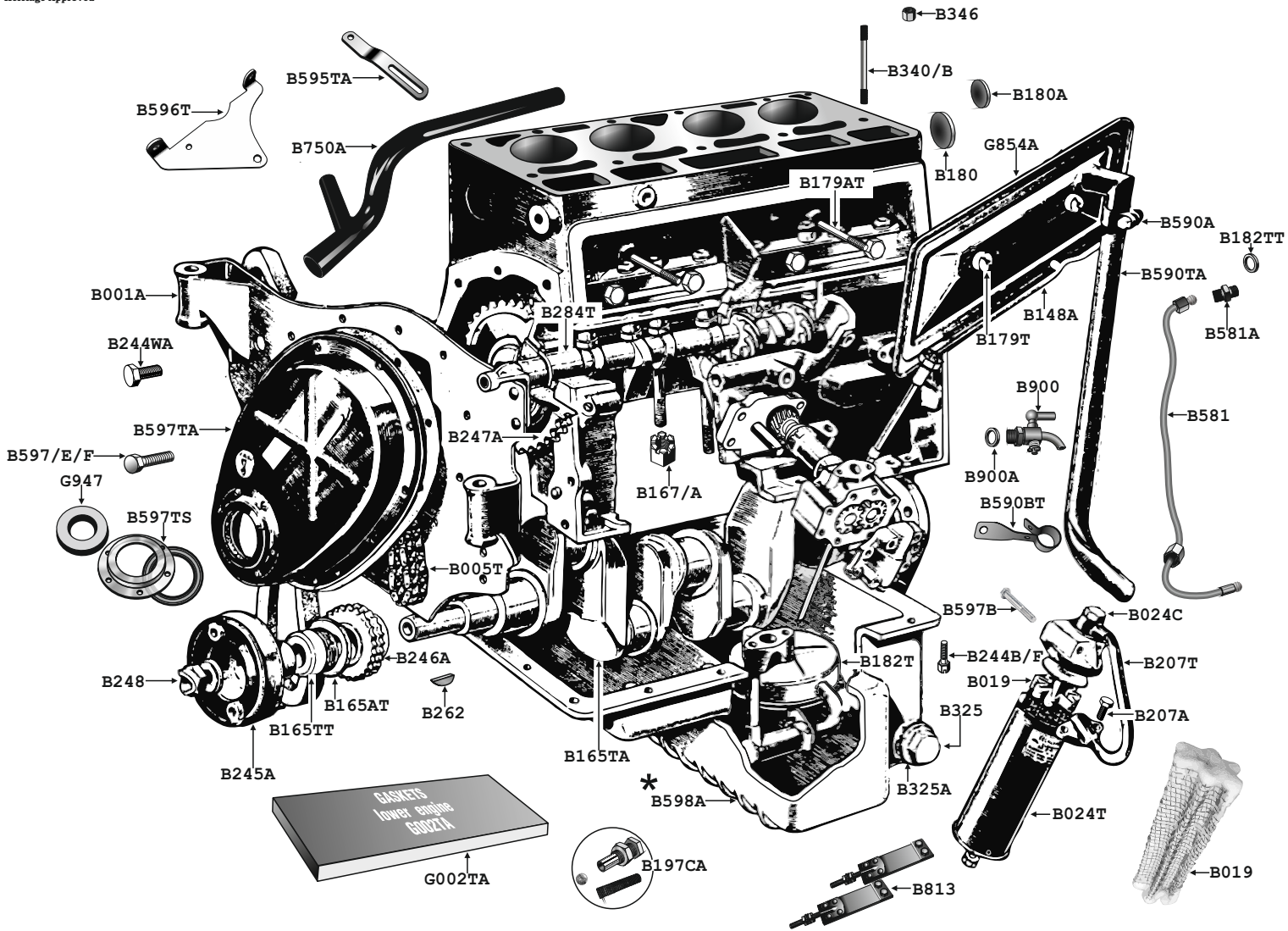


Contents



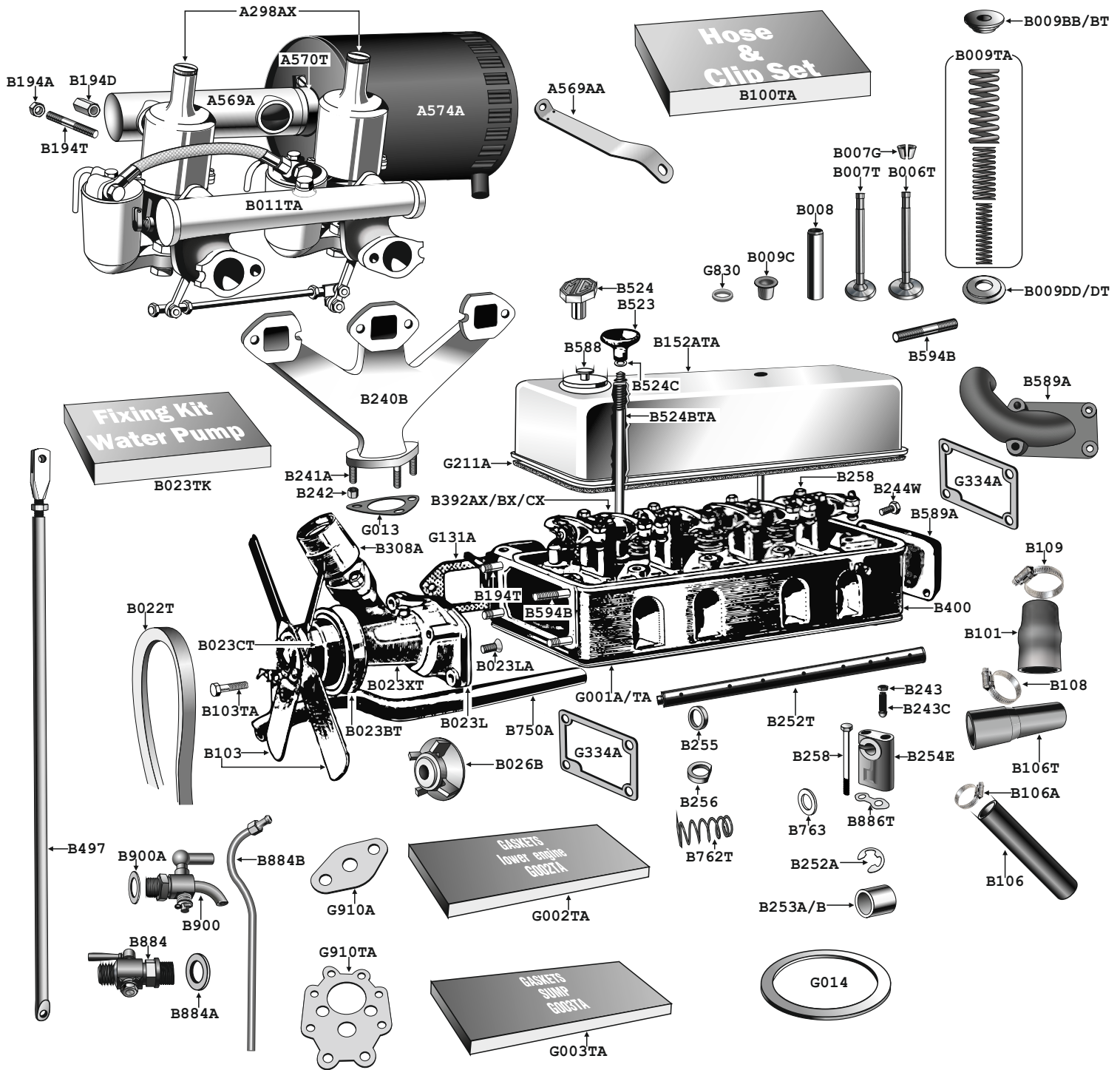
1 - 6 TA Mechanical section	21
5 Speed Conversion - T & Y	45
Battery, Horns & Fuel Pumps	54
Bodies	68, 69
Bodywork - Y Series	29
Brakes - TD, TF, YB	26, 27
Brakes - TA, TB, TC, YA, YT	51
Bumpers & Fittings	18
Carburettor Filters & Induction	16, 17
Carburettors	30
Chassis & Steering - TA, TB, TC	20
Clutch & Flywheel	59
Coachwork & Hardware - TA, TB, TC	58
Coachwork - TA, TB, TC	60, 61
Coachwork - TD	62, 63
Coachwork - TF	12
Cooling System	7
Cylinder Heads - XPAG, XPEG, XPAW	46
Dashboards - TA, TB, TC, TD	47
Dashboards - TF, YA, YB	49
Door Hardware - T Types	41
Electrical - Lighting & Heater	14
Engine & Gearbox Mounts	8
Engine Blocks - XPAG, XPEG, XPAW	15
Engine Controls	9
Engine Internal - TB, TC, TD, TF, Wolseley 4/44	13
Exhaust & Special Items	19
Fuel Supply System	22
Gaskets & Seals	6
Gearbox - TA	23
Gearbox - TB, TC	24, 25
Gearbox - TD, TF, Y	28
Handbrake	41
Heater	42
Ignition	66, 67
Interior - T Type	70, 71
Interior - Y Series	48
Instruments & Cables	72
Jackall System - Y Series	39, 40
Lighting - Headlamps	73, 74
Miscellaneous Items	77
NTG - A Short History	10, 11
Oil Systems	76
Originality	50
Radiator Shell - T & Y Type	36
Rear Axle & Propshaft - TA, TB, TC, YA, YT	37
Rear Axle & Propshaft - TD, TF, YB	32
Road Springs - TA, TB, TC	33
Rear Springs - TD, TF, Y	38, 78
Road Wheels, Wire Wheels & Conversions	33
Shock Absorbers	43
Side Lamps & Flashing Indicators	44
Starter, Generator & Charging Circuit	31
Steering - TD, TF, Y	34, 35
Suspension - TD, TF, Y	5
TA - Clutch	2, 3
TA - Engine Head Cooling & Induction	4
TA - Engine Internal & Lubrication	1
TA - Engine - General	6
TA - Gearbox	75
TD - Production Changes 1950 - 1952	57
Timber - TF	55
Timber Frame - TA, TB, TC	56
Timber Frame - TD	64, 65
Weather Equipment	78
Wheel & Brake Conversions	53
Windscreen Assembly	52
Windscreen Wipers	





B001A	Mount plate-front-engine	1	B248	Starter dognut	1
B005T	Timing chain	1	B262	Woodruffe key - crank+cam +oil pump shaft	A/R
B019	Oil filter element	1	B284T	Camshaft	1
B024AT	New oil filter conversion (Spin On)	1	B325	Plug-sump/gearbox magnetic	1
B024C	Union bolt - oil filter pipe	1	B325A	Washer-drain plug	1
B024T	Casing - oil filter	1	B340	Stud-head to block (short)	4/10
B148A	Sideplate-steel original	1	B340B	Stud-head to block (long)	7
B165AT	Oil thrower	1	B346	Nut-cylinder head	11
B165TA	Crankshaft	1	B581	Oil pipe - block to head	1
B165TT	Sleeve - oil return - crankshaft	1	B581A	Union - oil pipe to head/block	1
B167	Nut - main bearing cap	6	B590A	Clamp - breather pipe-top	1
B167A	Nut - main bearing cap f & rear	4	B590BT	Clamp - breather pipe-bottom	1
B179AT	Stud - tappet cover	2	B590TA	Breather pipe	1
B179T	Sleeve nut - engine side plate (pr)	1	B591TA	Engine dipstick	1
B180	Core plug	4	B595TA	Strap dynamo	1
B180A	Core plug 35mm	1	B596T	Bracket - dynamo to engine rear	1
★ B182T	Oil pick-up assembly	1	B597B	Bolt - oil filter	2
B182TT	Felt washer - oil pick up	1	B597D	Bolt - timing cover to plate	5
B197CA	Adjuster - oil pressure valve	1	B597E	Bolt - timing cover through plate	3
B207A	Bolt - oil pipe - pump & sump pick up	2	B597F	Bolt - timing cover to block	3
B207T	Oil pipe - pipe to filter	1	B597TA	Cover - timing chain	1
B244B	Bolt-sump (rear) & air cleaner	2	B597TS	Lip seal conversion - timing cover	1
B244F	Bolt - sump short	14	B598A	Sump - engine oil	1
B244W	Bolt - flywheel casing	11	B750A	Water branch pipe	1
B244WA	Bolt - timing cover	3	B813	Rebound straps, engine to chassis (pr)	1
B244WA	Bolt-timing cover 13mm	5	B900	Drain tap-block	1
B244WB	Bolt - timing cover 15mm	3	B900A	Washer-block drain tap	1
B245A	Pulley - crankshaft	1	G002TA	Gasket set - bottom engine	1
B246A	Sprocket - crankshaft	1	G854A	Gasket - engine side plate	1
B247A	Sprocket - camshaft	1			
			B248	Starter dognut	1
			B262	Woodruffe key - crank+cam +oil pump shaft	A/R
			B284T	Camshaft	1
			B325	Plug-sump/gearbox magnetic	1
			B325A	Washer-drain plug	1
			B340	Stud-head to block (short)	4/10
			B340B	Stud-head to block (long)	7
			B346	Nut-cylinder head	11
			B581	Oil pipe - block to head	1
			B581A	Union - oil pipe to head/block	1
			B590A	Clamp - breather pipe-top	1
			B590BT	Clamp - breather pipe-bottom	1
			B590TA	Breather pipe	1
			B591TA	Engine dipstick	1
			B595TA	Strap dynamo	1
			B596T	Bracket - dynamo to engine rear	1
			B597B	Bolt - oil filter	2
			B597D	Bolt - timing cover to plate	5
			B597E	Bolt - timing cover through plate	3
			B597F	Bolt - timing cover to block	3
			B597TA	Cover - timing chain	1
			B597TS	Lip seal conversion - timing cover	1
			B598A	Sump - engine oil	1
			B750A	Water branch pipe	1
			B813	Rebound straps, engine to chassis (pr)	1
			B900	Drain tap-block	1
			B900A	Washer-block drain tap	1
			G002TA	Gasket set - bottom engine	1
			G854A	Gasket - engine side plate	1

★ Essential to avoid low oil pressure by air entering pipe



B254FS Modified rear rocker pillar - prevents oil from leaking into coolant owing to porous casting in head - supplied with full instructions



A298AX	Carburettor set exchange	1	B252T	Rocker shaft	1
A569A	Air manifold	1	B253A	Rocker bush 21mm	4
A570T	Clip-air manifold	1	B253B	Rocker bush 29mm	4
A574A	Air cleaner	1	B254E	Rocker pillar - plain	3
A596AA	Bracket - air manifold	1	B254F	Rocker pillar - oil hole	1
B006T	Valve - inlet	4	B255	Locking washer - rocker pillar/shaft	2
B007G	Collet - valve	16	B256	D washer - rocker pillar/shaft	2
B007T	Valve - exhaust	4	B258	Bolt - rocker pillar	8
B008	Valve guide - inlet & exhaust	8	B308A	Thermostat & housing	1
B009TA	Valve spring set - double	1	B390AX	Rockers, shaft & bushes exchange	1
★ B009TA	Valve spring set - triple	1	B392AX	Rocker 1+4+5+8 exchange	4
B009BB	Top cap - double valve spring	8	B392BX	Rocker 2+6 exchange	2
★ B009BT	Top cap - triple valve spring	8	B392CX	Rocker 3+7 exchange	2
B009C	Valve Shroud	8	B497	Stay-radiator to bulkhead	2
B009DD	Bottom cap - double valve spring	8	B523	Knurled nut - rocker cover	2
★ B009DT	Bottom cap - triple valve spring	8	B524	Knurled nut - r/cover replacement	2
B011TA	Inlet manifold	1	B524BTA	Stud -rocker cover	2
B022T	Fan belt	1	B524C	Fibre washer - rocker cover	2
B023BT	Pulley - water pump	1	B588	Filler cap -engine oil	1
B023CT	Spacer - fan blades	1	B589A	Water inlet - rear of head used	1
B023L	Backplate-water pump	1	B594B	Stud - water outlet to head	2
B023LA	Fixing screw - backplate	2	B762T	Spring spacer -rocker shaft	1
B023LB	Spacer ring-impellor	1	B763	Washer - rocker shaft	4
B023TK	Fixing kit - water pump	1	B884	Drain tap-radiator	1
B023XT	Water pump - exchange	1	B884A	Washer-drain tap	1
B026B	Impellor-water pump	1	B884B	Drain pipe - radiator tap	1
B100TA	Hose+clip set	1	B886T	Lock tab set - rocker pillars	1
B101	Top hose	1	B900	Drain tap - cylinder block	1
B103	Fan blade set	1	B900A	Washer - block drain tap	1
B103TA	Bolt-fan blade	4			
B106	Hose-bypass	1	Engine Gaskets		
B106A	Clip-bypass hose	2	G001A	Head gasket set - copper/asbestos	1
B106T	Hose - branch pipe rear	1	G001TA	Head gasket set - composite	1
B108	Clip-bottom hose	2	G002TA	Lower engine set	1
B109	Clip-top hose	2	G003TA	Sump	1
B152ATA	Rocker cover - original used	1	G013	Exhaust flanger	1
B194A	Nut -manifold stud - short	2	G014	Front pipe/silence	1
B194D	Nut -manifold stud -long	6	G131A	Manifold to head	1
B194T	Stud - exhaust manifold	8	G211A	Rocker cover	1
B240B	Exhaust manifold	1	G232A	Cylinder head - composition	1
B241A	Stud - exhaust flange	3	G232AA	Cylinder head - copper/asbestos	1
B242	Nut - exhaust flange	3	G334A	Front/rear cylinder head	2
B243	Nut - tappet screw	8	G830	Oil seal set 8 - valve stem	1
B243C	Tappet screw	8	G910A	Gasket - oil pipe to pump	1
B244W	Bolt -water outlet	2	G910TA	Gasket - oil pump to body	1
B252A	Clip - rocker shaft end	2			

★ From engine MPJG1605

Thread Forms on MPJG & XPAG/EG

All the threads on Morris engines from 1919 onwards were to the International Metric Thread System (which is not the same as the present I.S.O. metric standards). This was due to the engines being made at the Hotchkiss works Coventry, where machine guns were made to French design during World War I. Even when Morris bought the works from the parent French company in 1923, he did not change to the BSW/BSF thread system, which would probably have been an expensive business anyway. Thus the metric thread forms were retained right until 1955 when the last XPAG engine was made. However Morris did arrange for his nut and bolt manufacturer to supply his nuts, bolts and set screws with whitworth hexagon dimensions, possibly resulting from a similar reason whereby manufacturers charge a premium for non metric fasteners now.

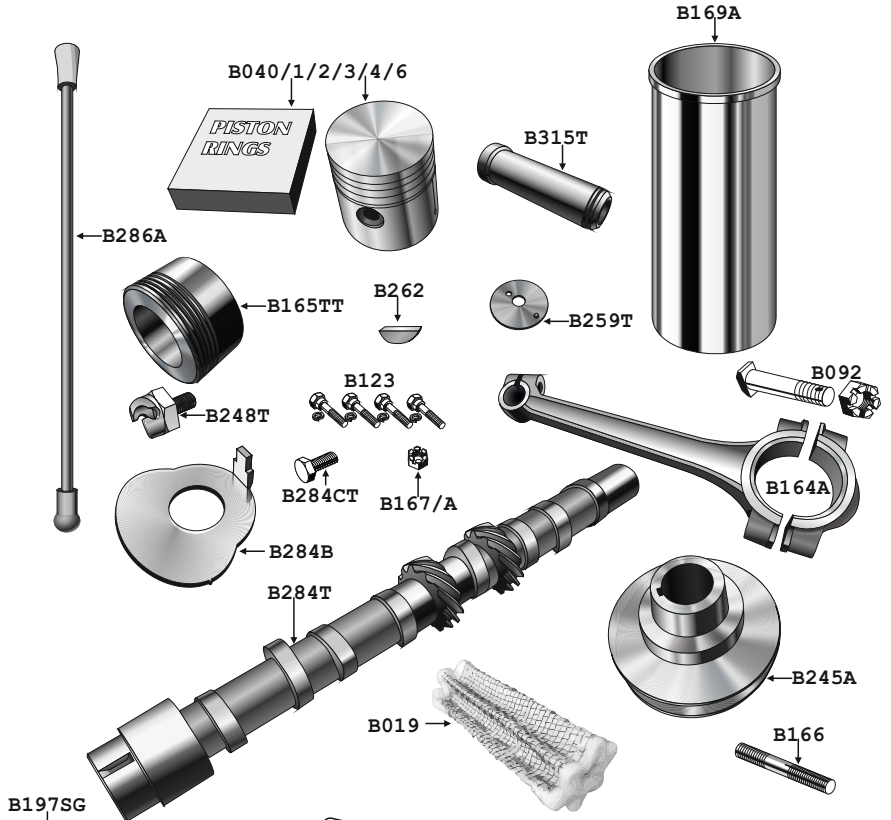
The four sizes used on XPAG type engines and gear boxes are as follows:-

6mm x 1mm	I.M.T.S. standard
8mm x 1mm	I.M.T.S. fine
10mm x 1.5mm	I.M.T.S. standard
12mm x 1.5mm	I.M.T.S. fine



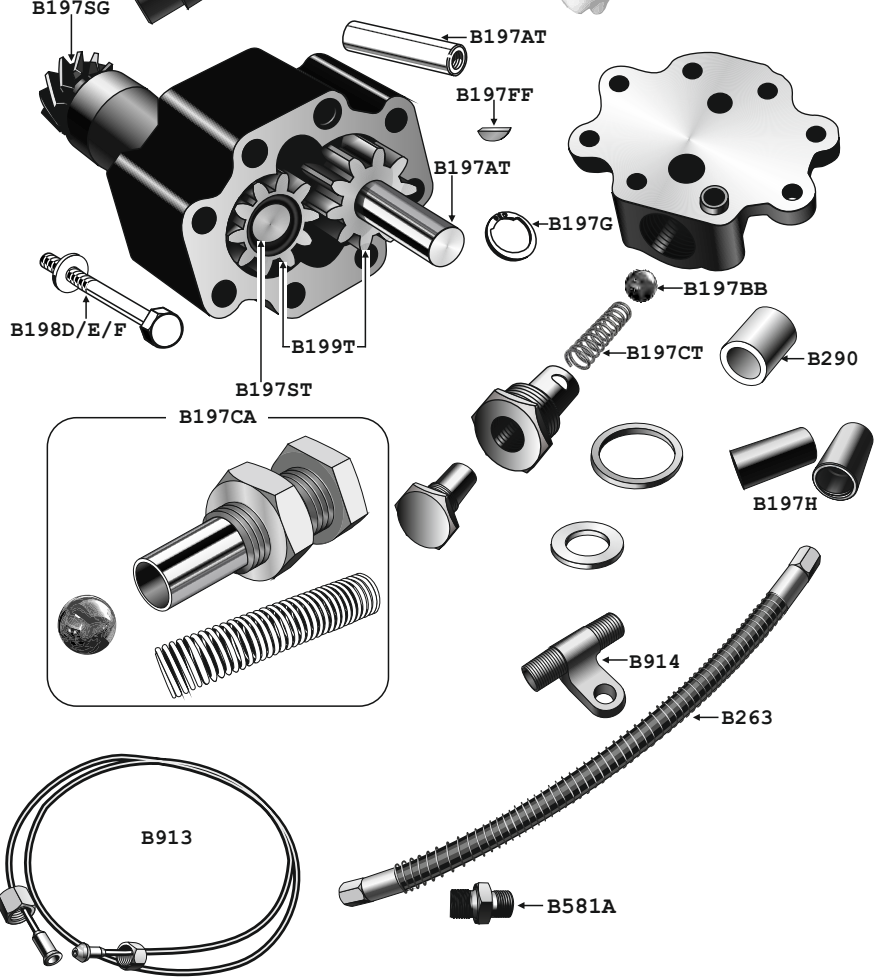
ENGINE INTERNAL TA

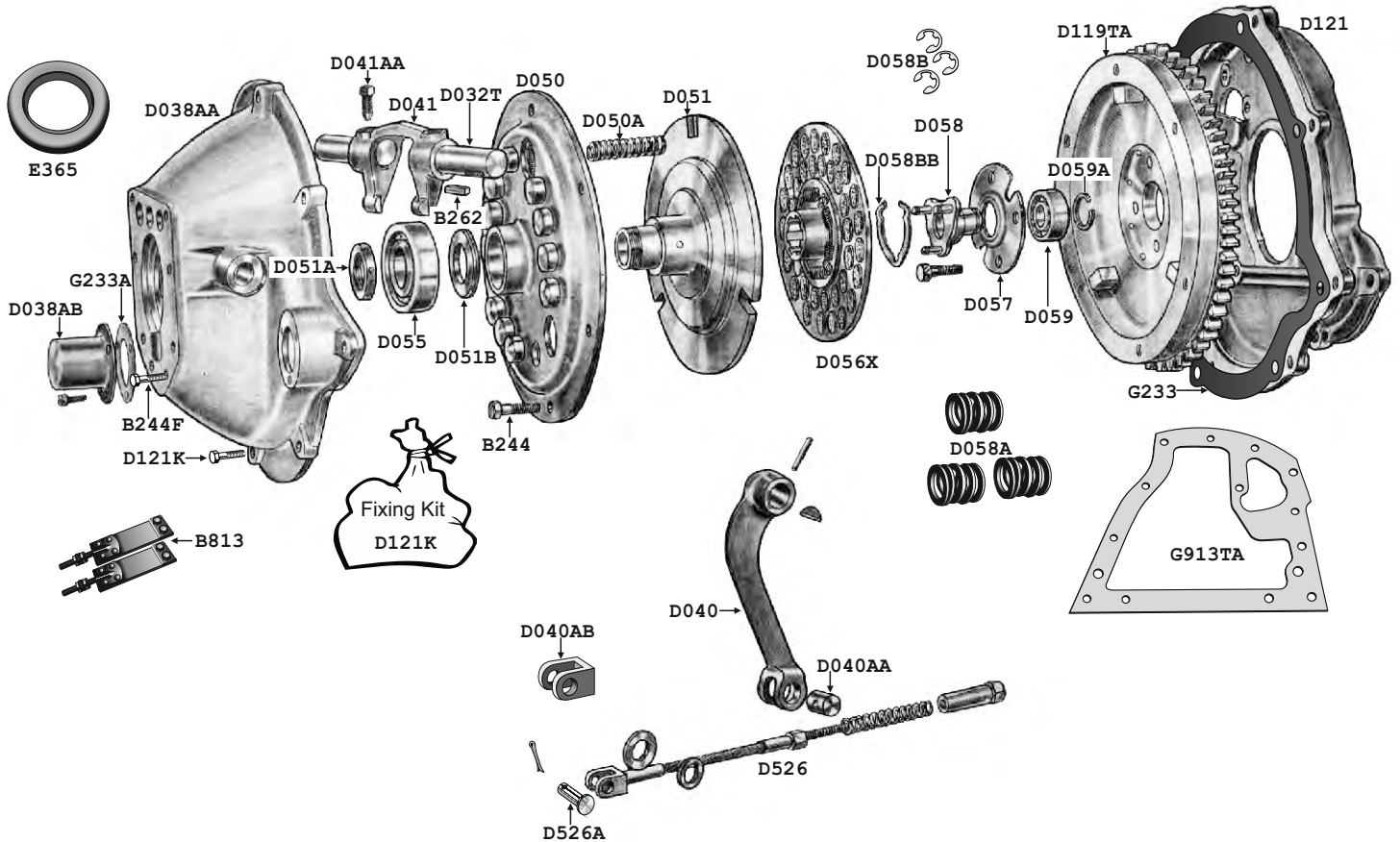
B040	Piston set 4 - standard	1
B041	Piston set 4 +010	1
B042	Piston set 4 +020	1
B043	Piston set 4 +030	1
B044	Piston set 4 +040	1
B046	Piston set 4 +060	1
B092	Bolt & nut - conrod	8
B123	Pinch bolt set 4 - conrod	1
B164A	Connecting rod	4
B165TA	Crankshaft	1
B165TT	Sleeve - oil return - crank	1
B166	Stud - main bearing cap	8
B167	Nut - main bearing cap - centre	2
B167A	Nut - main bearing cap fr & rr	4
B169A	Cylinder liner set 4	1
B245A	Pulley - crankshaft	1
B248T	Starter dognut	1
B259T	Washer - camshaft front	1
B262	Key - crank/cam/oil pump	3
B284B	Lock washer - camshaft	1
B284CT	Bolt - camshaft front	1
B284T	Camshaft	1
B286A	Pushrod	8
B315T	Cam follower	8



ENGINE LUBRICATION

B019	Oil filter element	1
B182T	Oil pick-up assembly	1
B197AT	Shaft - fixed oil pump	1
B197BB	Ball - relief valve	1
B197CA	Adjuster - oil pump valve	1
B197CT	Spring - relief valve	1
B197FF	Key - oil pump shaft	1
B197G	Circlip - oil pump shaft	1
B197H	Bush set - oil pump	1
B197SG	Driving gear - oil pump	1
B197ST	Shaft - oil pump driving gear	1
B198D	Bolt oil pump 59mm	2
B198E	Bolt oil pump 72mm	2
B198F	Bolt oil pump 76mm	4
B199T	Gear set - oil pump (pair)	1
B263	Hose - flexible to oil gauge	1
B290	Seat oil pump relief valve	1
B581A	Union - oil pipe to block/head	2
B913	Pipe - oil gauge	1
B914	Union- oil hose to pipe	1





B244	Bolt-clutch cover	12
B262	Key - clutch shaft	1
B813	Rebound straps, engine to chassis (pr)	1
D032T	Shaft-clutch release lever	1
D038AA	Clutch housing	1
D038AB	Cover cap-starter drive	1
D040	Lever-clutch release	1
D040AA	Trunnion-clutch lever	1
D040AB	Repair end	1
D041	Fork-clutch release	1
D041AA	Set screw - clutch fork	2
D050	Clutch cover	1
D050A	Spring-clutch cover-(set 12)	1
D051	Pressure plate-clutch	1
D051A	Lock nut-pressure plate	1
D051B	Washer-pressure plate	1
D055	Clutch -release ball race	1
D056X	Clutch plate recorking service	1
D057	Plate-bearing to flywheel	1
D058	Carrier-centre plate	1
D058A	Spring set (3) centre plate carrier	1
D058B	Clip set (3) centre plate carrier	1
D058BB	Clip (one piece)	1
D059	Ball race-clutch spigot	1
D059A	Circlip-spigot bearing	1
D119TA	Flywheel	1
D121	Flywheel housing	1
D121K	Fixing kit - clutch housing	1
D526	Release rod assembly-clutch	1
D526A	Clevis pin-clutch rod	1
E365	Oil seal - clutch housing	1
G233	Gasket-clutch housing	1
G233A	Gasket-starter cover	1
G913TA	Gasket-flywheel housing	1

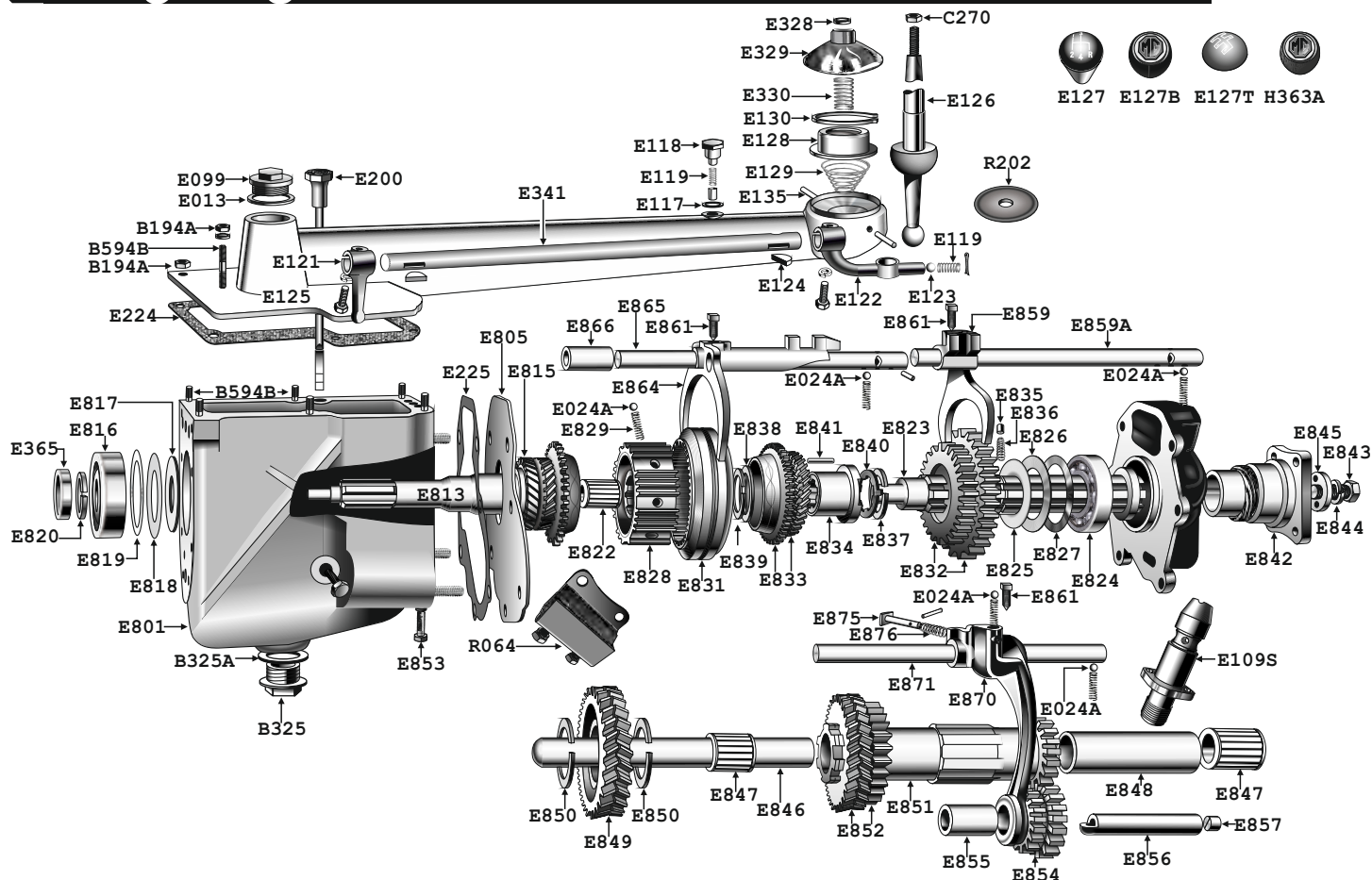
If not fitted engine torque
can cause alloy bell housing to split.

Cut lever & weld to end

Replaces D058BB

Dismantling clutch assembly

Clutch lever D040 must be removed from shaft before housing can be separated from flywheel housing, this allows clutch shaft to be rotated to clear release assembly.

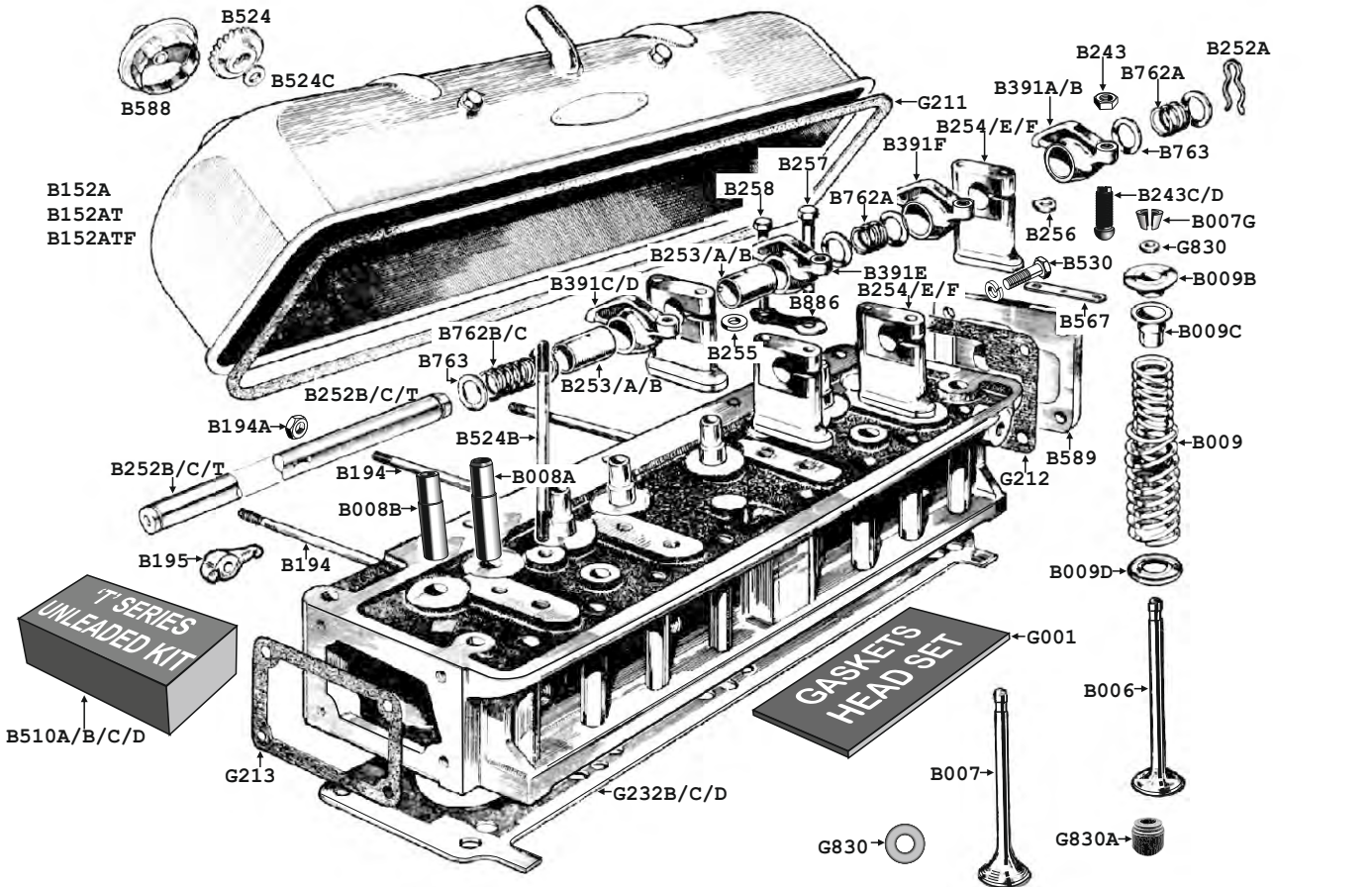


B194A	Nut - gearbox top	6	E827	Spring plate - mainshaft bearing	1
B325	Drain plug - magnetised - gearbox	1	E828	Sliding hub + cone - gearbox	1
B325A	Washer - gearbox drain plug	1	E829	Spring - sliding hub	6
B594B	Stud - gearbox top	6	E831	Striking dog - 3rd/4th gear	1
C270	Nut - lock gear lever/knob	1	E832	1st/2nd gear	1
E013	Washer - gearbox drain & filler	2	E833	3rd speed dog + gear	1
E024A	Ball - selector shaft + sliding hub	3/6	E834	Bush - 3rd gear	1
E099	Filler plug - gearbox	1	E835	Plunger - 3rd gear bush	1
E109S	Housing - speedo pinion (incl oil seal)	1	E836	Spring - 3rd gear bush	1
E117	Plunger - operating shaft	1	E837	Circlip - 3rd gear bush	1
E118	Cap - operating shaft	1	E838	Thrust washer - 3rd gear	1
E119	Spring - operating shaft	1	E839	Circlip - 3rd gear	1
E119	Spring - operating lever rear - gearbox	1	E840	Lock plate - 3rd gear	1
E121	Remote selector - front	1	E841	Roller set - 3rd gear	1
E122	Operating lever rear - gearbox	1	E842	Flange - propshaft	1
E123	Ball - operating lever	1	E843	Nut - propshaft flange	1
E124	Key - operating shaft	1	E844	Washer - propshaft flange	1
E126	Gear lever - chrome	1	E845	Collar - propshaft flange	1
E127	Gear knob	1	E846	Layshaft - gearbox	1
E127B	Gear knob - leather (MG)	1	E847	Roller cage - layshaft	2
E127T	Knob - gear lever	1	E848	Spacer - layshaft	1
E128	Retainer - gear lever	1	E849	Constant mesh gear - layshaft	1
E129	Spring - anti rattle gearbox	1	E850	Circlip - constant mesh gear (pr)	1
E130	Cover - gearbox dipstick	1	E851	First gear	1
E135	Pin - lever to remote control	2	E852	2nd + 3rd gear	1
E224	Gasket - gearbox - top	2	E853	Screw - layshaft locking	1
E225	Gasket - gearbox - rear	1	E854	Reverse gear	1
E328	Circlip - gear lever	1	E855	Bush - reverse gear	1
E329	Chrome cover - gear lever	1	E856	Shaft - reverse gear	1
E330	Spring - upper gear lever	1	E857	Plug - reverse shaft	1
E365	Oil seal - gear box front	1	E859	Selector fork - 1st/2nd gear	1
E801	Casing - gearbox	1	E859A	Selector shaft - 1st/2nd shaft	1
E804	Dipstick - gearbox	1	E861	Lock bolts - selector shaft (set 3)	1
E805	Backplate - gearbox	1	E864	Selector - 3rd /4th gear	1
E813	1st motion shaft	1	E865	Selector shaft - 3rd/4th gear	1
E815	Constant mesh pinion	1	E866	Spacer - shaft selector 3rd/4th gear	1
E816	Bearing - 1st motion shaft	1	E870	Selector - reverse gear	1
E817	Guard - 1st motion shaft bearing	1	E871	Shaft selector - reverse gear	1
E818	Plate - 1st motion shaft bearing	1	E875	Plunger - reverse gear	1
E819	Spring plate - 1st motion shaft bearing	1	E876	Spring - plunger - reverse gear	1
E820	Circlip - 1st motion shaft bearing	1	H363A	Knob - gear lever MG wood	1
E822	Bearing cage	1	H363B	Knob - gear lever MG leather	1
E823	Mainshaft - gearbox	1	R202	Gear lever - seal	1
E824	Bearing - mainshaft	1	R203	Cover - gearbox - rubber (see page 23)	1
E825	Guard - mainshaft bearing	1	R064	Gearbox mount - rear	1
E826	Plate - mainshaft bearing	1			



Cylinder Head

XPAQ, XPEG, XPAW



		TC	TD	TF	YA	YB
B006	Valve-inlet *	4	4	0	4	4
B006T	Valve-inlet	0	0	0	0	0
B006TF	Valve-inlet *	0	0	4	0	0
B007	Valve-exhaust *	4	4	0	4	4
B007G	Cotters-valve	16	16	16	16	16
B007T	Valve-exhaust	0	0	0	0	0
B007TF	Valve-exhaust *	0	0	4	0	0
B008A	Guide-inlet valve *	4	4	4	4	4
B008B	Guide-exhaust valve *	4	4	4	4	4
* suitable for unleaded head						
B009	Valve spring set 8	1	1	1	1	1
B009B	Top cap-valve spring	8	8	8	8	8
B009C	Valve shroud-oil deflector	8	8	8	8	8
B009D	Bottom cap-valve spring	8	8	8	8	8
B152A	Rocker cover-orig steel	0	1	0	1	1
B152AT	Rocker cover-orig steel + TB	1	0	0	0	0
B152ATF	Rocker cover-orig steel	0	0	1	0	0
B194	Stud-manifold to head	4	4	4	4	4
B194A	Nut-manifold to head	4	4	4	4	4
(also fits water pump/thermostat)						
B195	Clamp-manifold to head	4	4	4	4	4
B243	Nut-tappet screw adjusting	8	8	8	8	8
B243C	Tappet screw 28mm	8	8/0	0	8	0
B243D	Tappet screw 31mm		0	0/8	8	0 8
B252A	Spring clip-rocker assy	2	2	2	2	2
B252B	Rocker shaft-short 356mm	1	1	1	1	1
B252C	Rocker shaft-long 378mm	0	1	1	0	1
B253A	Rocker bush 21mm+YT	4	4	0	4	0
B253B	Rocker bush 29mm	4	4	4	0	4
B254	Pillar-rocker shaft	4	4	4	4	4
B255	Washer-locking-rocker pillar	2	2	2	2	2
B256	'D' washer-rocker pillar	2	2	2	2	2
B257	Large bolt-rocker pillar	4	4	4	4	4
B258	Small bolt-rocker pillar	4	4	4	4	4
B390B	Rocker shaft-bushed rkr - exch +TB	1	1*	0	1*	0
B390C	Rocker shaft-bushed rkr - exch	0	1**	1	0	1
B391A	Rocker-4+8 356mm shaft(early)	2	2	0	2	0
B391B	Rocker-4+8 378mm shaft(late)	0	2	2	0	2
B391C	Rocker-1+5 356mm shaft(early)	2	2	0	2	0
B391D	Rocker-1+5 378mm shaft(late)	0	2	2	0	2

* = early ** = late

		TC	TD	TF	YA	YB
B391E	Rocker-2+6	2	2	2	2	2
B391F	Rocker-3+7	2	2	2	2	2
B401AX	Cylinder hd unleading service +TB	1	1	0	1	0
B402AX	Cylinder hd unleading service	0	1	0	0	1
B403AX	Cylinder hd unleading service1250	0	0	1	0	0
B404AX	Cylinder hd unleading service1500	0	0	1	0	0
B524	Knurled nut-rocker cover	2	2	2	2	2
B524B	Stud-rocker cover-head	2	2	2	2	2
B524C	Fibre washer-rocker cover	2	2	2	2	2
B530	Bolt for rear cover	4	4	4	4	4
B567	Pack.set-(reduced head)	1	1	1	1	1
B588	Oil filler cap-rocker cover	1	1	1	1	1
B589	Blanking plate-rear of head	1	1	1	1	1
B762A	Spring-14mm rocker shaft	2	2/4	4	2	4
B762B	Spring-32mm rocker shaft	1	1	0	1	0
B763	Washer-rocker shaft	22	10	10	2	10
B886	Lock tabs-rocker bolts (4)	1	1	1	1	1

GASKETS AND SEALS

		TC	TD	TF	YA	YB
G001	Head set (de-coke)	1	1	1	1	1
G211	Gasket-rocker cover	1	1	1	1	1
G212	Gasket (cork) rear of head	1	1	1	1	1
G213	Gasket-outlet-front of head	1	1	1	1	1
G232B	Gasket-cylinder head 1250cc (TD to eng no 17968 YA to eng no 17462)	1	1	0	1	0
G232C	Gasket-cylinder head 1250cc (TD from eng no 17969 YA/B from eng no 17463)	0	1	1	0	1
G232D	Gasket-cylinder head 1500cc (TF 1500 only)	0	0	1	0	0
G830	Valve stem seals (8)	1	1	1	1	1
G830A	Valve stem seals improved (8)	1	1	1	1	1

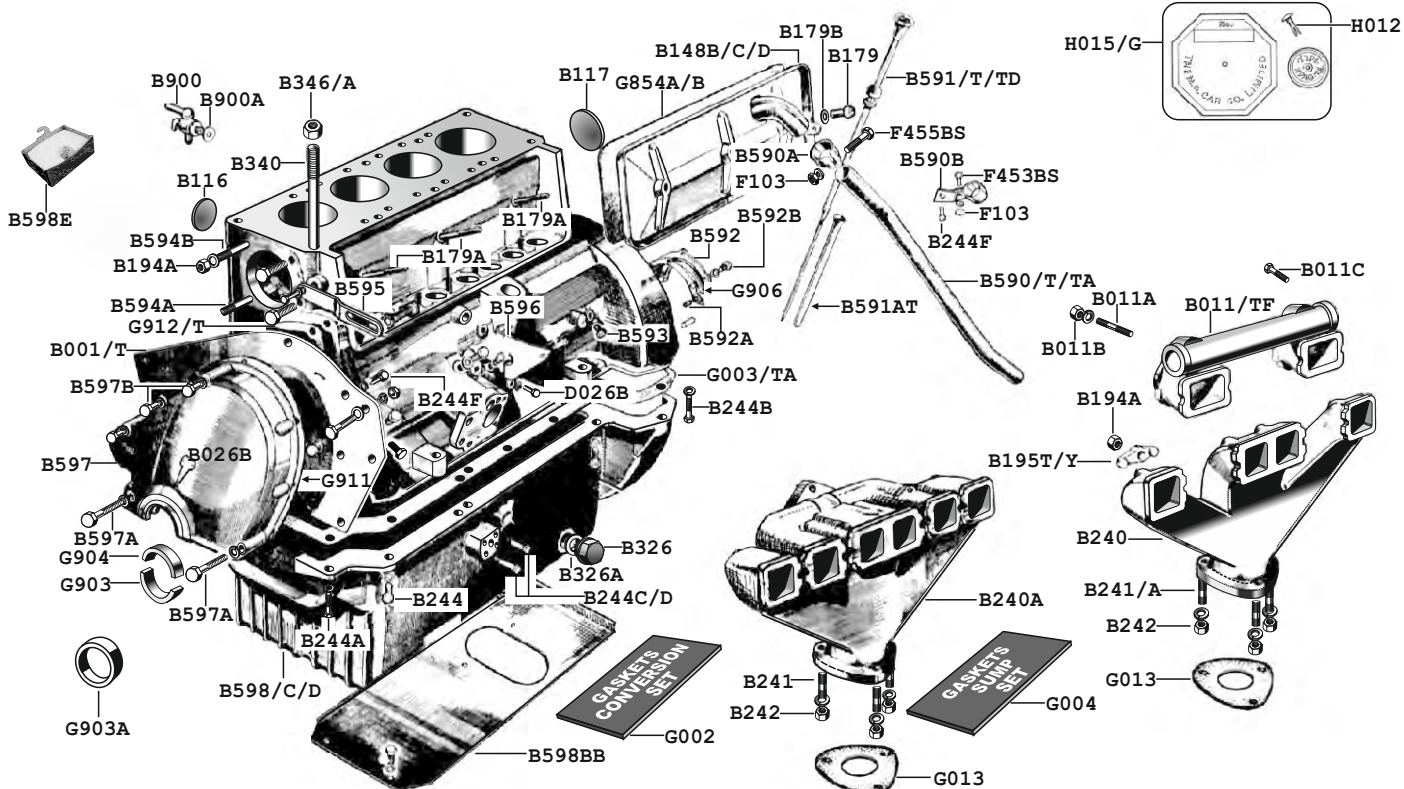
UNLEADING KITS

Contains 8 valves, 8 guides, 4 hardened inserts, head gasket set & instructions to convert your cylinder head to use unleaded fuel.

		TC	TD	TF	YA	YB
B510A	Unleaded kit	1	1/0	0	1	0
B510B	Unleaded kit	0	0/1	0	0	1
B510C	Unleaded kit1250cc	0	0	1	0	0
B510D	Unleaded kit1500cc	0	0	1	0	0

Engine Block

XPAQ, XPEG, XPAW

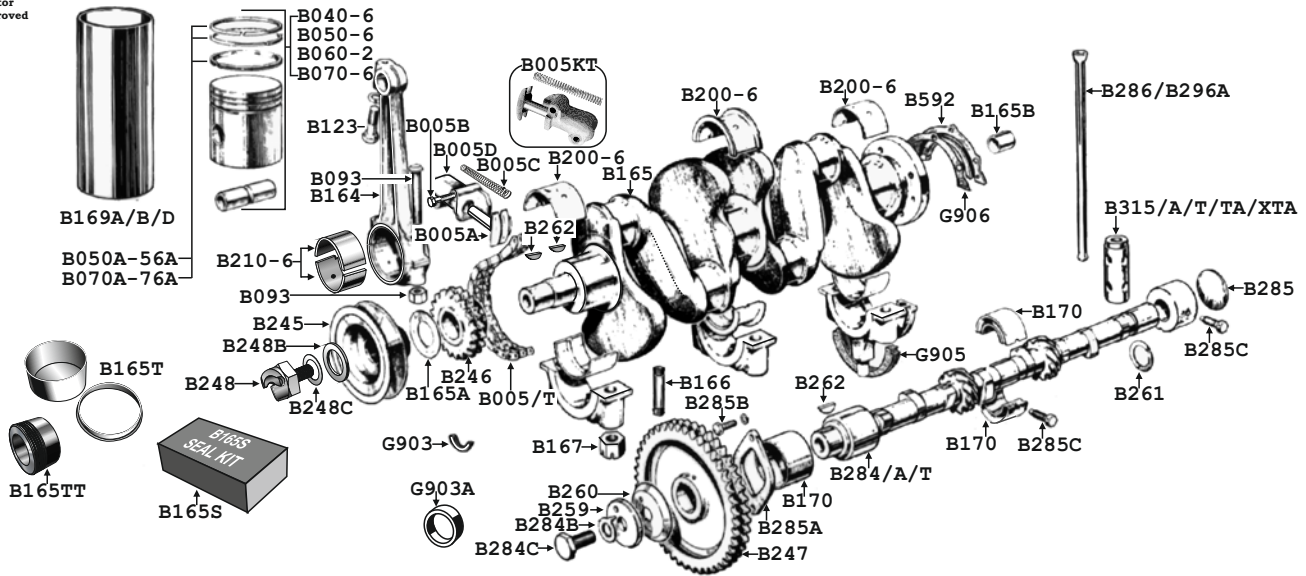


		TC	TD	TF	YA	YB
B001	Mount plate-front-engine	0	1	1	1	1
B001T	Mount plate-front-engine	1	0	0	0	0
B011	Manifold-inlet+YT	1	1	0	0	0
B011A	Stud-carb to manifold	0	0	4	0	0
B011B	Nut-carb to manifold	0	0	4	0	0
B011C	Bolt-carb to manifold	4	4	0	2	2
B011TF	Manifold-inlet	0	0	1	0	0
B026B	Impellor-water pump	0	0	0	0	0
B116	Core plug-small	6	6	6	6	6
B117	Core plug-large	2	2	2	2	2
B147	Sideplate-alloy	1	1	1	1	1
B148B	Sideplate-steel original	-	TB	Only	-	-
B148C	Sideplate-steel original	1	1	1	1	1
B148D	Sideplate-steel original	-	W4/44	Only	-	-
B179	Sleeve nut-sideplate	3	3	3	3	3
B179A	Stud-sideplate	3	3	3	3	3
B179B	Washer-sideplate	3	3	3	3	3
B194A	Nut-water pump	2	2	2	2	2
B194A	Nut-exhaust manifold	6	6	6	6	6
B195T	Clamp-manifold to cyl/head	4	4	4	0	0
B195Y	Clamp-manifold to cyl/head	0	0	0	4	4
B197R	Plug-oil by-pass hole	1	1	1	1	1
B240	Manifold-exhaust +YT	1	1	1	0	0
B240A	Manifold-inlet/exhaust	0	0	0	1	1
B241	Stud-Manifold to front pipe	3	0	0	0	0
B241A	Stud-Manifold to front pipe	0	3	3	3	3
B242	Brass nut for above	3	3	3	3	3
B244	Bolt-sump (centre)	10	10	10	10	10
B244A	Bolt-sump (front)	2	2	2	2	2
B244B	Bolt-sump (rear)	2	2	2	2	2
B244C	Screw-oil pick up (short)	2	2	0	2	0
B244D	Screw-oil pick up (long)	0	2	2	0	2
B244F	Bolt-timing cover	2	2	2	2	2
B326	Drain plug-sump	1	1	1	1	1
B326A	Sealing washer-drain plug	1	1	1	1	1
B340	Stud-head to block	10	10	10	10	10
B346	Nut-head to block	10	10	10	10	10
B550X	Engine-xpag recond own unit	1	1	1	1	1
B590	Breather pipe-sideplate	0	1	1	1	1
B590T	Breather pipe-sideplate+TB	1	0	0	0	0
B590A	Clamp-top-breather pipe	1	1	1	1	1
B590B	Clamp-block-breather pipe	1	1	1	1	1

		TC	TD	TF	YA	YB
B591	Dipstick-oil 410mm	0	1	1	0	1
B591AT	Tube - engine dipstick	0	1	1	0	1
B591T	Dipstick-oil +TB	1	0	0	0	0
B591TD	Dipstick-oil 362mm +YT	0	1	0	1	0
B592	Cover-oil thrower	1	1	1	1	1
B592A	Dowel-oil thrower	2	2	2	2	2
B592B	Screw-oil thrower	3	3	3	3	3
B593	Plug-oil gallery	5	5	5	5	5
B594A	Stud-water pump (long)	1	1	1	1	1
B594B	Stud-water pump (short)	1	1	1	1	1
B595	Strap- dynamo	1	1	1	1	1
B596	Bracket-dynamo-rear	1	1	1	1	1
B597	Cover-timing chain	1	1	1	1	1
B597A	Bolt-timing cover (long)	2	2	2	2	2
B597B	Bolt-timing cover (short)	3	3	3	3	3
B598	Sump +TB	1	0	0	0	0
B598B	Baffle plate-sump	1	1	1	1	1
B598C	Sump-9 pint+YT	0	1	0	1	0
B598D	Sump-10.5 pint	0	1	1	0	1
B598E	Drip tray - rear of sump	1	1	1	1	1
B900	Drain tap-block	1	1	1	1	1
B900A	Washer-block drain tap	1	1	1	1	1
D026B	Screw-dynamo bracket (rear)	0	2	2	0	2
F103	Nut-breather clamp (top & B)	2	2	2	2	2
F455BS	Set screw-breather top clamp	1	1	1	1	1
F453BS	Set screw-breather bot clamp	1	1	1	1	1
H012	Rivet - engine plate	2	2	2	2	2
H015	Octagonal ID engine plate	1	1	1	1	1
H015G	As above for XPEG 1500 eng	0	0	1	0	0

GASKETS (see page 20)

		TC	TD	TF	YA	YB
G002	Conversion set	1	1	1	1	1
G003	Gasket-sump (2 piece)	1	1	1	1	1
G004	Sump set	1	1	1	1	1
G013	Gasket-exhaust flange	1	1	1	1	1
G854B	Gasket-engine sideplate	1	1	1	1	1
G903	Crank seal-front-top & bott	2	2	2	2	2
G903A	Lip seal (rplcmnt for above)	1	1	1	1	1
G906	Gasket-oil thrower	1	1	1	1	1
G911	Gasket - timing cover	1	1	1	1	1
G912	Gasket-front mount plate	1	1	1	1	1



PISTON SET = 4 PISTONS, RINGS AND GUDGEON PINS.

XPAG 1250cc TB/TC/TD/TF/Y/Woiseley 4/44 (66.5mm)	
B050	Piston set 1250cc Standard
B051	Piston set 1250cc 0.010" oversize
B052	Piston set 1250cc 0.020" oversize
B053	Piston set 1250cc 0.030" oversize
B054	Piston set 1250cc 0.040" oversize
B055	Piston set 1250cc 0.050" oversize
B056	Piston set 1250cc 0.060" oversize
B169B	Cylinder liner set (4) 1250cc

XPAG Engine-special overbore to 1350cc (69.04mm)	
B060	Piston set 1350cc Standard
B062	Piston set 0.020" Oversize

XPEG 1466cc TF1500 (Standard bore 72mm)	
B070	Piston set TF1500 Standard
B071	Piston set TF1500 0.010" oversize
B072	Piston set TF1500 0.020" oversize
B074	Piston set TF1500 0.040" oversize
B076	Piston set TF1500 0.060" oversize
B169D	Cylinder liner set (4) TF1500

CRANKSHAFT BEARINGS TB/C/D/F/Y/Woiseley 4/44

B200	Main bearing set standard				
B201	Main bearing set 0.010" oversize				
B202	Main bearing set 0.020" oversize				
B203	Main bearing set 0.030" oversize				
B204	Main bearing set 0.040" oversize				
B206	Main bearing set 0.060" oversize				
B210	Conrod bearing set standard				
B211	Conrod bearing set 0.010" oversize				
B212	Conrod bearing set 0.020" oversize				
B213	Conrod bearing set 0.030" oversize				
B214	Conrod bearing set 0.040" oversize				
B215	Conrod bearing set 0.050" oversize				
B216	Conrod bearing set 0.060" oversize				
B165S	Special seal kit-rear crank XPAG & XPEG				
B165T	Speedy sleeve for B165S				

		TC	TD	TF	YA	YB
B005	Timing chain	1	1	1	1	1
B005A	Tensioner shoe	1	1	1	1	1
B005B	Bolt-tensioner to block	2	2	2	2	2
B005C	Spring-tensioner	1	1	1	1	1
B005D	Block-tensioner	1	1	1	1	1
B005KT	Tensioner assembly	1	1	1	1	1
B005T	Timing chain	0	0	0	0	0

B093	Bolt & nut Set-conrod	1	1	1	1	1
B123	Pinch bolt-conrod to piston	4	4	4	4	4
B164	Connecting rod	4	4	4	4	4
B165	Crankshaft-new remanufacture	1	1	1	1	1
B165A	Oil thrower-crankshaft	1	1	1	1	1
B165B	Spigot bush-crankshaft	1	1	1	1	1
B165R	Crankshaft+bearings-recon	1	1	1	1	1
B165S	Special crank seal kit	1	1	1	1	1
B165T	Speedy sleeve for B165S +TB	1	1	1	1	1
B166	Stud-main bearing cap	6	6	6	6	6
B167	Nut-main bearing cap	6	6	6	6	6
B170	Bearing-set-camshaft	1	1	1	1	1
B245	Pulley-crankshaft	1	1	1	1	1
B246	Sprocket-crankshaft	1	1	1	1	1
B247	Sprocket-camshaft	1	1	1	1	1
B248	Starter dognut	1	1	1	1	1
B248B	Dished washer	1	1	1	1	1
B248C	Shim-starter dognut	-----A/R-----				
B259	Washer-camshaft end	1	1	1	1	1
B260	Oil thrower-camshaft	1	1	1	1	1
B261	Circlip-camshaft	1	1	1	1	1
B262	Key-sprocket-crank/camshaft	2	2	2	2	2
B284	Camshaft (<i>standard</i>)	1	1	1	1	1
B284A	Camshaft (<i>competition</i>)	1	1	1	1	1
B284B	Lock washer-camshaft	1	1	1	1	1
B284C	Bolt-camshaft end	1	1	1	1	1
B285	Core plug-camshaft (<i>in block</i>)	1	1	1	1	1
B285A	Thrust plate-camshaft	1	1	1	1	1
B285B	Bolt-thrust plate	2	2	2	2	2
B285C	Dowel bolt-camshaft retain	2	2	2	2	2
B286	Pushrod	8	8	8	8	8
B315	Cam follower	8	8	8	8	8
B592	Cover plate-oil thrower	1	1	1	1	1

GASKETS AND SEALS

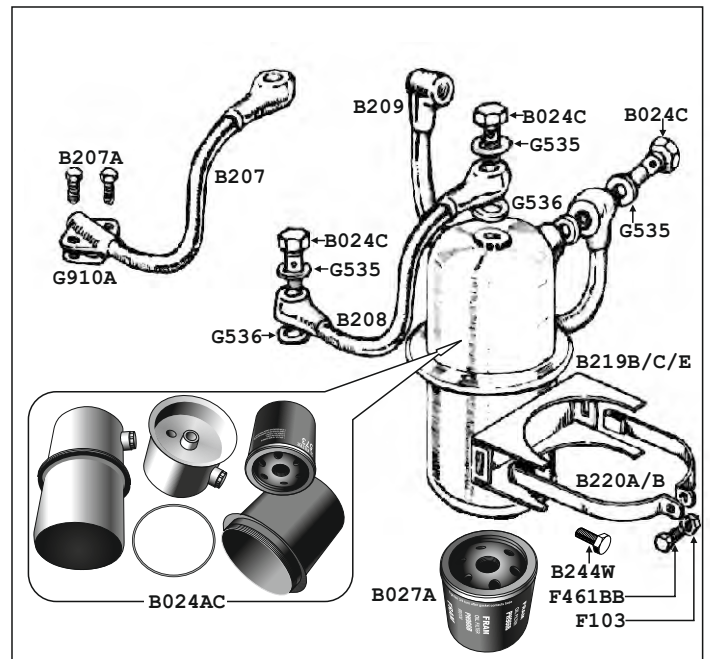
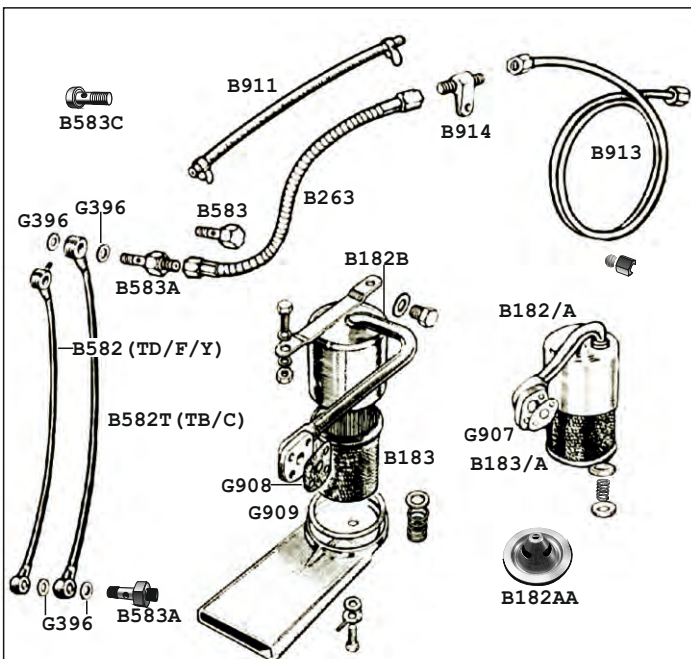
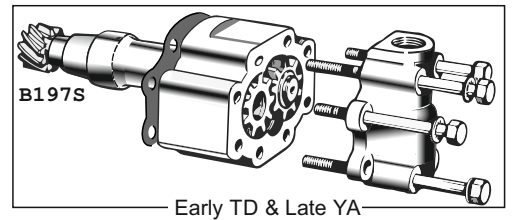
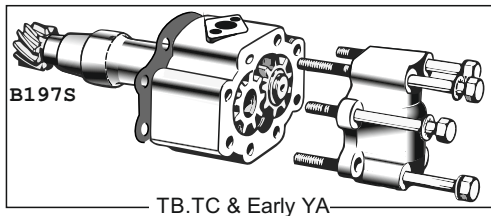
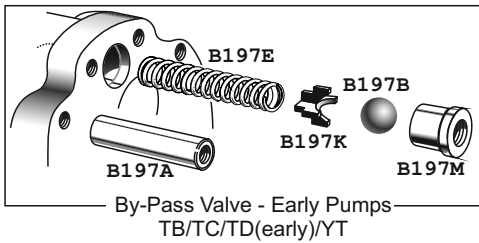
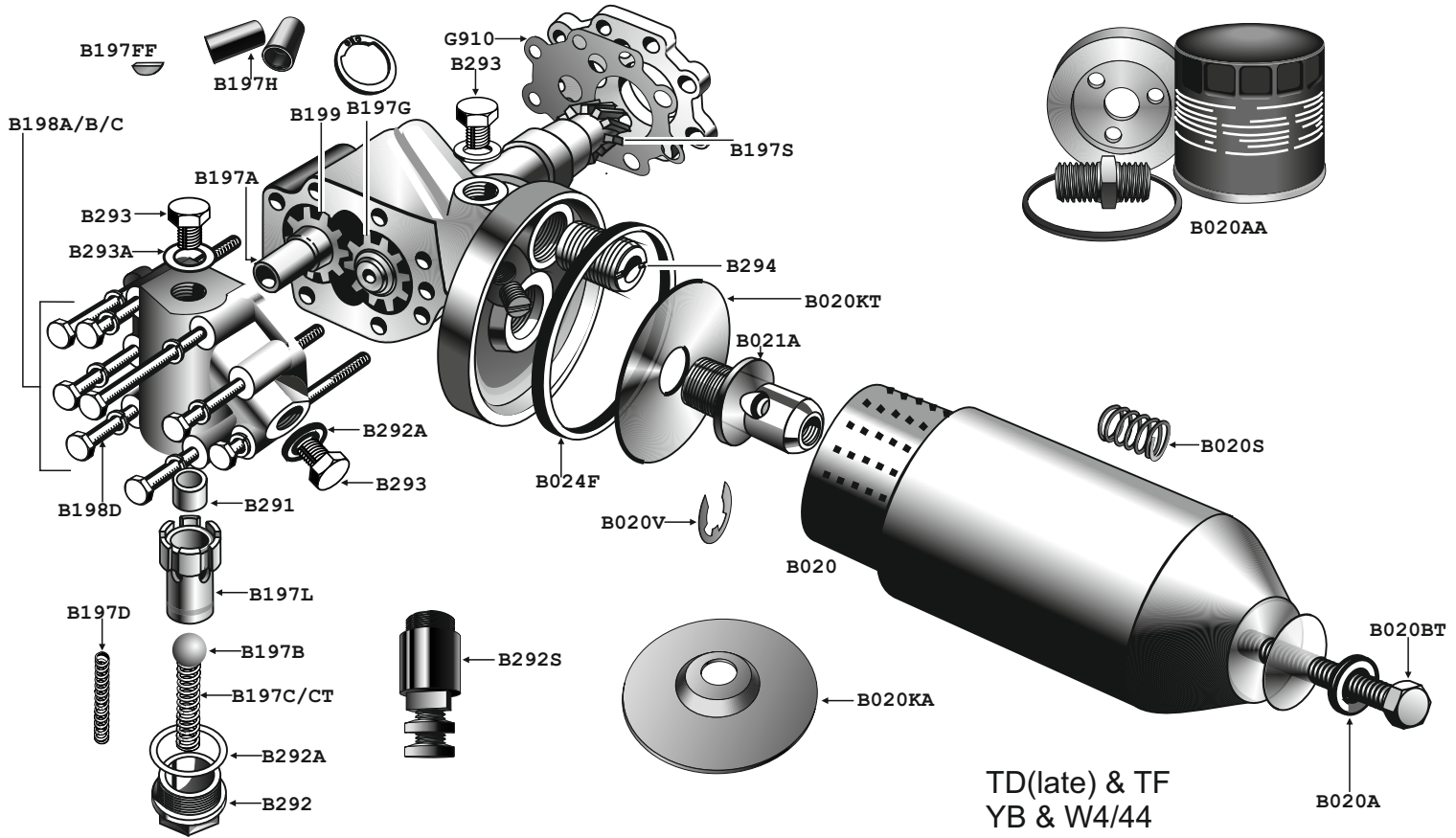
G903	Seal - crank - front	1	1	1	1	1
G903A	Seal (<i>lipped-repl. G903</i>)	1	1	1	1	1
G905	Seal-rear main bearing (<i>cork</i>)	1	1	1	1	1
G906	Gasket-oil thrower	1	1	1	1	1

XPAG Engine - leaks from crankshaft. One of the most common complaints concerning these engines is loss of oil from the rear of the crankshaft, which incorporates a return scroll designed to feed surplus oil back into the sump via a drain tube in the rear main bearing cap. This antiquated system worked reasonably well when the cars were new provided one accepted a few drops of oil from the split pinned drain hole under the rear of the sump.

However, owing to the age of the components and incorrect assembly, oil loss can become excessive, and a kit part B165S is now available which features a lip seal bearing on the flywheel flange of the crankshaft which should also be fitted with a "Speedy Sleeve" part B165T ensuring a smooth surface for the seal. There is no machining required other than drilling one small hole, but the engine has to be removed from the car and dismantled before the modification can be carried out. A complete illustrated instruction sheet is supplied with the kit.

Care must also be taken with the sump gasket which should be fitted to the block face first in order to ensure that the cork seal on the main bearing cap has its ends notched to fit against ends of the sump gasket. It is advisable to use a sealant on the ends of the cork seal.

A lip seal G903A is also available as a replacement for the rope seal at the front in the timing cover and sump. This requires the application of sealant in the groove for the original seal before fitting.





		TC	TD	TF	YA	YB
B020	Oil filter element (<i>late</i>) (<i>Integral pump/filter-eng TD2 14224 + SC17293 on</i>)	0	1	1	0	1
B020A	Seal-oil filter cover bolt	0	1	1	0	1
B020AA	Oil filter con (<i>Spin-On</i>)+W4/44	0	1	1	0	1
B020BT	Bolt-oil filter 130mm	0	1	1	0	1
B020KA	Dished plate - oil filter +W4/44	0	1	1	0	1
B020KT	Flat plate - oil filter + W4/44	0	1	1	0	1
B020S	Spring-oil filter	0	1	1	0	1
B020V	Clip-oil filter bolt	0	1	1	0	1
B021A	Adapter-filter bolt + W4/44	0	1	1	0	1
B024AC	Oil filter conversion (<i>unscrews to accept B024A element</i>)	1	1	0	1	0
B024C	Union bolt-oil filter pipes	3	4	0	4	0
B027A	Spin on oil filter (<i>conversion</i>)+TB	1	1	1	0	0
B182	Oil pick up assembly (<i>side</i>)	1	1	0	1	1
B182A	Oil pick up assembly (<i>centre</i>)	0	1	0	0	0
B182AA	Cap-oil strainer + TB	1	0	0	0	0
B182B	Oil pick up assembly (<i>4 bolt fixing</i>) ¹	1	1	0	1	0
B183	Oil strainer-offset hole +TB,YT	1	1	0	1	0
B183A	Oil strainer-centre hole	0	1	1	0	1
B197A	Shaft-oil pump driven gear	1	1	1	1	1
B197B	Ball-oil pump relief/bypass	2	2	2	2	2
B197C	Spring relief-oil pump	1	1	1	1	1
B197D	Spring-supplementary-oil pump (<i>fits inside std spring-increases pressure</i>)	1	1	1	1	1
B197E	Spring-by-pass-oil pump	1	1	1	1	1
B197FF	Woodruff key - oil pump shaft	1	1	1	1	1
B197G	Circlip - oil pump drive shaft	1	1	1	1	1
B197H	Bushes (<i>pr</i>)-driving shaft+housing	1	1	1	1	1
B197K	Guide-by-pass ball	1	1	0	1	0
B197M	Seat-by-pass ball	1	1	0	1	0
B197P	Rebuild kit-oil pump	1	1	1	1	1
B197R	Plug-oil by pass hole	1	1	1	1	1
B197S	Shaft + gear - oil pump +TB	1	1	1	1	1
B198A	Bolt-oil pump 88mm	-----A/R-----				
B198B	Bolt-oil pump 65mm	-----A/R-----				
B198C	Bolt-oil pump 83mm	2	2/4	4	2/4	4
B198D	Bolt - oil pump 59mm - TA only	0	0	0	0	0
B199	Impellor gears(<i>pr</i>)-oil pump	1	1	1	1	1
B292	Plug-relief valve	1	1	1	1	1

		TC	TD	TF	YA	YB
B292S	Adjuster - oil pressure + TB,W4/44	1	1	1	1	1
B207	Oil pipe-2 bolt fixing	1	0	0	0	1
B207A	Bolt-oil pipe	2	0	0	2	0
B208	Oil pipe banjo union	0	1	0	0	1
B209	Oil pipe-filter to block +TB	1	0/1	0	1	1
B219E	Bracket - oil filter + 1½" straps + YT	0	1	0	1	0
B220	Bracket-filter +YT	1	1	0	1	0
B220A	Straps-filter (<i>pair</i>) +YT	1	1	0	1	0
B220K	Filter bracket & clamp	1	1	0	0	0
B263	Flexi hose-oil gauge line	1	1	1	0	0
B291	Seat-oil pump relief valve + TB	1	1	1	1	1
B292	Plug - relief valve + TB, W4/44	1	1	1	1	1
B292A	Washer-oil pump plug	1	1	1	1	1
B293	Priming/side plug	0	2	2	0	2
B293A	Washer - priming/side plug	0	2	2	0	2
B294	By-pass valve	0	0/1	1	0	1
B582	Oil pipe to head	0	1	1	1	1
B582T	Pipe/unions - oil gauge + TB	1	0	0	0	0
B583	Union bolt-o/pipe-plain hd	1	1	1	1	1
B583A	Union-o/pipe with take-off +TB (<i>TC/TD to eng. 9407</i>)	1	1	0	0	0
B583C	Union bolt-top round head	0	1	1	0	0
B911	Rubber pipe/clips-oil line	0	0	0	1	1
B913	Pipe/unions-oil gauge	0	1	1	0	0
B913Y	Copper pipes-oil gauge+YT	0	0	0	1	1
B914	Union-bulkhead to oil line	1	1	1	0	0

F103 Nut ¼" BSF -----A/R-----
 F461BB Bolt ¼" BSF X 1¾" -----A/R-----

Gaskets and Seals:

G907	Gasket-oil pick up +TB	1	1	0	1	1
G908	Gasket-oil pick up	0	1	1	1	1
G909	Gasket-oil strainer	0	1	1	1	1
G396	Washer-oil pipe-head/block	4	4	4	4	4
G535	Washer-large filter union	3/4	4	0	3/4	0
G536	Washer-small filter union	3/4	4	0	3/4	0
G910	Gasket-oil pump to body	1	1	1	1	1
G910A	Gasket-oil pipe to pump	1	0	0	1	0



Modern lubricants do not necessarily suit older vehicles. They are often too thin and the additive "packages" employed have been chosen to suit today's advanced engineering and materials, not those employed in the design and manufacture of the vehicles of earlier years.

X499	20W/50 Classic	5 Litre	X507A	Gearbox oil 30	1 Litre	X526	Penrite shock absorber fluid No 2	500 ml
X499A	20W/50 Classic	1 Litre	X509A	Gear oil 80W/90	1 Litre	X535	Penrite graphite grease	500 gm
X500	Classic Medium	5 Litre	X510A	Gear oil 85/140	1 Litre	X536	Penrite high melt bearing grease	500 gm
X501	Classic Light	5 Litre	X515A	Trans oil 90	1 Litre	X537	Penrite water pump grease	500 gm
X502	Running In	5 Litre	X516A	Trans oil 140	1 Litre	X538	Penrite semi fluid grease	500 gm
X503	Shelsley Light	5 Litre	X517A	Trans oil 250	1 Litre	X539	Penrite cam assembly lube	100 gm
X504	Shelsley Medium	5 Litre	X520	Penrite storage protection	500 ml	X552	Penrite auto DX111 fluid	1 litre
X505A	Mild EP	1 Litre	X520B	Penrite steering box lube	500 ml	X555	Lead substitute	250 ml
X506A	Gearbox oil 40	1 Litre	X525	Penrite shock absorber fluid No 1	500 ml	X556	Ethanol protectant	250 ml

APPLICATION DATA

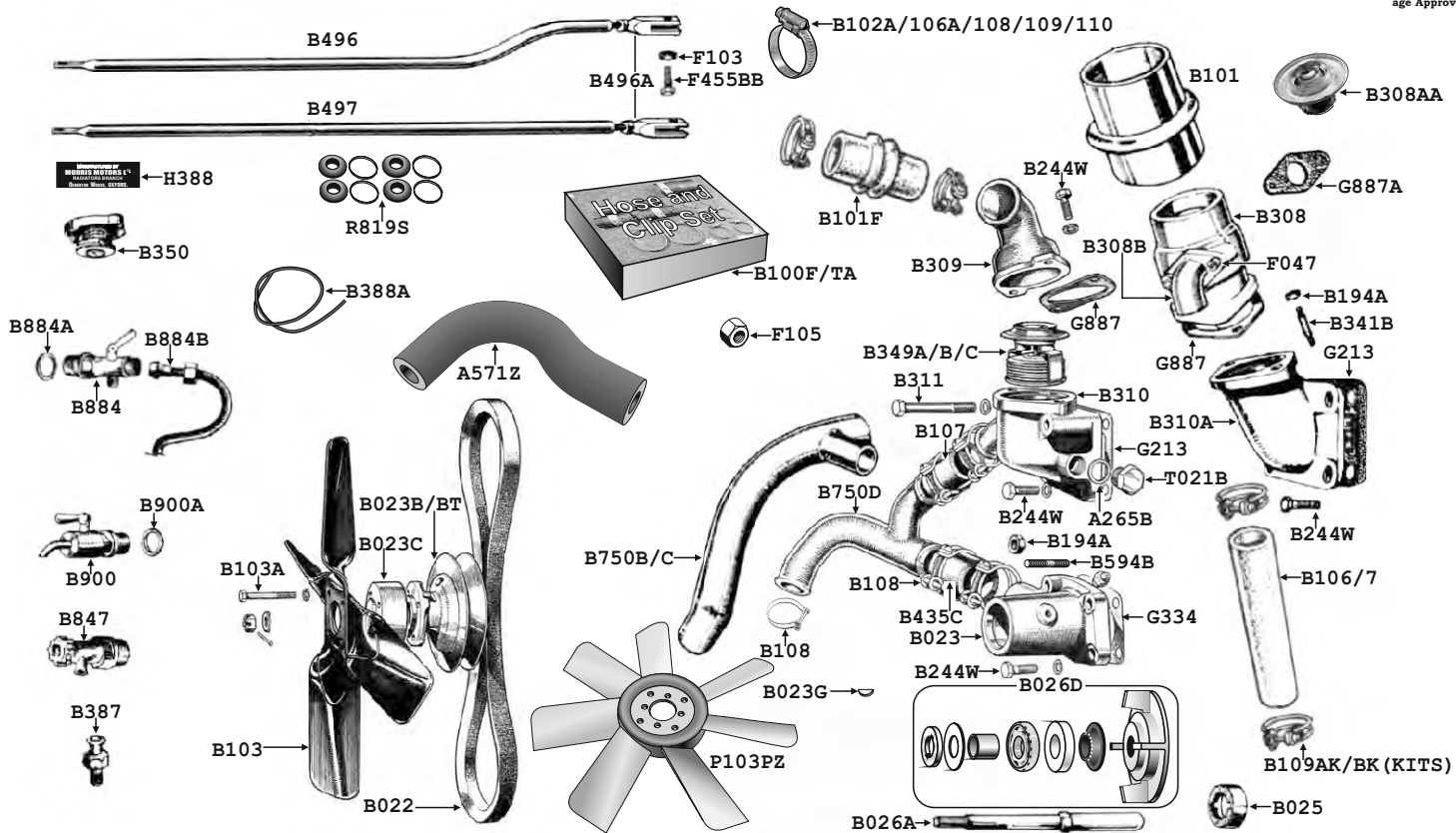
MODEL	YEAR	ENGINE	CAPACITY	OIL	GEARBOX	CAPACITY	AXLE	CAPACITY
TA	1936-39	X500	6.2 L	X515A	Transoil 90	1.1 L	Mild EP	1.1 L
TB/C	1939-49	X501	5.1 L	X505A	Mild EP	0.7 L	Mild EP	1.1 L
TD	1949-52	X501	5.1 L	X505A	Mild EP	0.7 L	Mild EP	1.3 L
TD/F/YB	1952-55	X501	6.0 L	X505A	Mild EP	0.7 L	Mild EP	1.3 L
YA/T	1947-52	X501	5.1 L	X505A	Mild EP	0.7 L	Mild EP	0.8 L
YB	1952-53	X501	5.1 L	X505A	Mild EP	0.7 L	Mild EP	1.3 L
ZA/B	1953-58	X501	4.0 L	X507A	Gearbox 30	2.6 L	Mild EP	1.6 L
MGA	1955-59	X501	4.3 L	X507A	Gearbox 30	2.8 L	Mild EP	1.6 L
MGA 1600	1959-62	X501	4.3 L	X507A	Gearbox 30	2.6 L	Mild EP	1.3 L
MGA TWIN CAM	1961-62	X501	7.7 L	X507A	Gearbox 30	2.6 L	Mild EP	1.3 L
WOLSELEY 4/44	1953-55	X501	6.0 L	X507A	Gearbox 30	0.7 L	Mild EP	1.3 L
WOLSELEY 15/50	1955-58	X501	4.0 L	X507A	Gearbox 30	2.6 L	Mild EP	1.6 L



Cooling System



British Motor
age Approved



		TC	TD	TF	YA	YB	
A265B	Fibre washer - drain plug to thermostat housing + W4/44	0	0	1	0	0	
A571Z	Hose -air cleaner + heater (W4/44 only)						
B022	Fan belt	1	1	1	1	1	
B023	Water pump	1	1	1	1	1	
B023HD	Water pump - heavy duty	1	1	1	1	1	
B023B	Pulley-water pump	1	1	1	1	1	
B023BK	Fixing kit-water pump	1	1	1	1	1	
B023C	Spacer-fan blades	0	1	1	1	1	
B023G	Key - pulley - water pump & dynamo	1	1	1	1	1	
B025	Carbon gland-early water pump	1	1	0	1	0	
B025A	Seal-water pump+W4/44	0	1	1	1	1	
B025B	Shaft seal-early water pump	1	1	0	1	0	
	<i>Only used when gland seal fitted</i>						
B100	Hose & clip set-rad (worm drive)	1	1	0	1	1	
B100F	Hose & clip set-rad (worm drive)	0	0	1	0	0	
B101	Top hose	1	1	0	1	1	
B101B	Top hose (4/44 only)						
B101F	Top hose	0	0	1	0	0	
B102	Hose + clip set-heater	1	1	1	1	1	
B102A	Hose clip-heater (worm drive)	6	6	6	6	6	
B102B	Heater hose (metre)	--- A/R ---					
B103	Fan blades-set (4)	1	1	1	1	1	
B103A	Screw-fan blade	0	4	4	4	4	
B103AT	Screw-fan blade	4	0	0	0	0	
B103PZ	Fan - plastic - 7 blade (replacement)	1	1	1	1	1	
B104	Bottom hose (4/44 only)						
B106A	Hose clip-by-pass (w/d)	2	2	2	2	2	
B107	By-pass hose (+4/44)	1	1	1	1	1	
B108	Hose clip-btm + wtr/pump (w/d)	4	4	4	4	4	
B109	Hose clip-top (w/d)	2	2	0	2	2	
B109AK	Wire hose clip set	0	1	0	1	1	
B109BK	Wire hose clip set TF	0	0	1	0	0	
B110	Hose clip-top (w/d)	0	0	2	0	0	
B194A	Nut 5/16" various applications	--- A/R ---					
B244F	Bolt-water pump-long	0	1	1	1	1	
B244W	Bolt-thermostat-short	0	0	2	0	0	
B244W	Bolt-water outlet	4	4	0	4	4	
B244W	Bolt-water pump-short	2	1	1	1	1	
B308A	Thermostat assy complete	1	1	1	1	1	
B308AA	Waxsta special for B308A-75°+TA,TB	1	1	0	1	1	
B308B	Elbow-thermostat housing	1	1	0	1	1	
B309	Thermostat cover/outlet	0	0	1	0	0	
B310	Thermostat housing	0	0	1	0	0	
B310A	Water outlet-cyl head	0	1	0	1	1	
B310AT	Water outlet-cyl head +TB	1	0	0	0	0	

		TC	TD	TF	YA	YB
B311	Bolt-thermostat-long	0	0	2	0	0
B341B	Stud-thermostat housing	2	2	2	2	2
B341C	Nut-thermostat housing	2	2	2	2	2
B349A	Thermostat 74 degree hot	0	0	1	0	0
B349B	Thermostat 82 degree std	0	0	1	0	0
B349C	Thermostat 88 degree cold	0	0	1	0	0
B350	Radiator cap + 4/44	0	0	1	0	0
B387	Union-heater hose take-off	1	1	1	1	1
B388	Radiator-new+TB	1	1	0	0	0
B388FX	Radiator	0	0	1	0	0
B388TX	Radiator exchange service	1	0	0	0	0
B388KT2	Mounting kit-radiator+TB	1	1	0	0	0
B388KT3	Mounting kit-radiator	0	0	1	0	0
B435C	Hose-water pump + bottom	2	2	2	2	2
B496	Stay-radiator + fork end rh	1	0	0	0	0
B496A	Fork end only-radiator stay	2	2	2	2	2
B497	Stay-radiator + fork end lh	1	2	2	2	2
B594B	Stud-water pump	2	2	2	2	2
B750B	Y-branch water pipe+TB	1	0	0	0	0
B750C	Y-branch water pipe	0	1	0	0	0
B750D	Y-branch water pipe	0	0	1	0	0
B750Y	Y-branch water pipe	0	0	0	1	1
B847	Tap-heater hose take-off	1	1	1	1	1
B847A	Repair kit-water valve (4/44 only)					
B849D	Heater assy-without demist	1	1	1	1	1
B849E	Heater assy-with demist	1	1	1	1	1
B884	Drain tap-radiator	1	1	1	1	1
B884A	Washer-radiator tap	1	1	1	1	1
B884B	Drain pipe-radiator	1	1	1	1	1
B900	Drain tap-block	1	1	1	1	1
B900A	Washer-block tap	1	1	1	1	1
F105	Nut-radiator fixing	2	2	2	2	2
G213	Gasket-therm housing to fr cyl head	0	1	1	1	1
G334	Gasket-water pump	1	1	1	1	1
G334TA	Gasket-water pump	0	0	0	0	0
G443	Bearing-water pump	2	2	2	2	2
G887	Gasket-thermostat	1	1	1	1	1
G887A	Gasket-by-pass pipe	1	1	0	1	1
H388	Rad plate-'MORRIS MOTORS'	1	1	0	1	1
R819S	Mounting set - radiator	1	1	1	1	1
T021B	Drain plug-thermostat housing+W/44	0	0	1	0	0



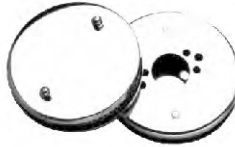
B152



B524A



B153



A368A/B



B147

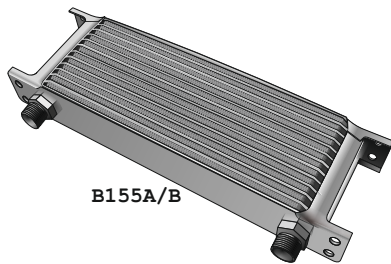
		TA	TC	TD	TF	YA	YB
A368A	Pancake air cleaner 1¼"	0	2	2	0	1	1
A368B	Pancake air cleaner 1½"	0	0	0	2	0	0
B147	Alloy s/plate-tappet cover	0	1	1	1	1	1
B152	Alloy rocker cover	0	1	1	1	1	1
B153	Alloy r/cover 'works type'	0	1	1	0	1	1
B524A	Chrome "MG" nut-rckr cvr(33mm)	2	2	2	2	2	2
B524AA	Chrome "MG" nut-rckr cvr(25mm)	2	2	2	2	2	2

Breather Adapters for B147/B152

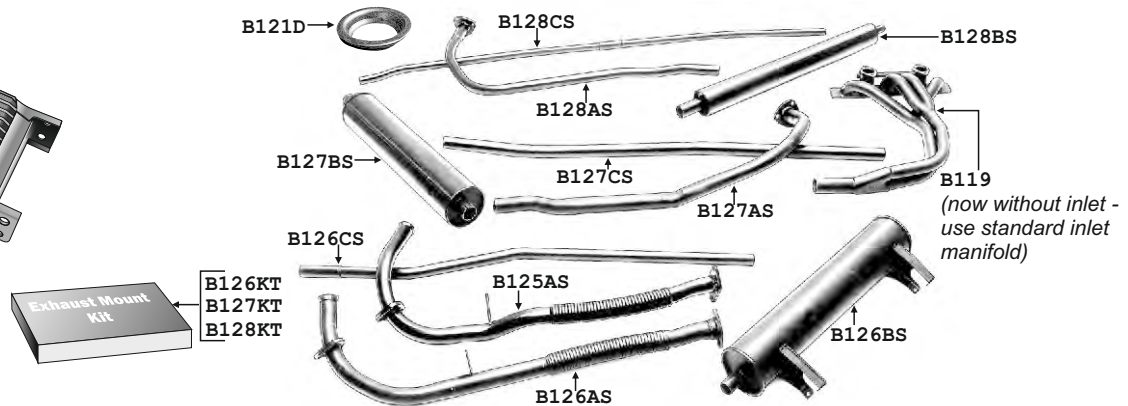
		TA	TC	TD	TF	YA	YB
B153J	Adapter-rocker cover	0	1	1	0	1	1
B153J	Adapter-side plate	0	1	1	1	1	1
B153K	Adapter-(B152) rocker cover	0	0	0	1	1	1
B153H	Adapter-(B153) rocker cover	0	1	1	0	1	1

Oil Cooler Kits (not illustrated)

		TA	TC	TD	TF	YA	YB
B155A	Oil cooler-10 row	1	1	1	1	1	1
B155B	Oil cooler-13 row	1	1	1	1	1	1
B154AA	Oil cooler installation kit complete TB/C + early TD, YA (with separate canister oil filter)						
B154BB	Oil cooler kit complete later TD, TF/YB (with integral oil pump/filter unit)						



B155A/B



B119
(now without inlet - use standard inlet manifold)

		TA	TC	TD	TF	YA	YB
B119	Extractor manifold (State 1¼" or 1½" Carbs)	0	1	1	1	1	1
B121D	Steel ring-front pipe seal	1	1	0	0	0	0
B125AS	Front pipe-stainless	1	0	0	0	0	0
B126AS	Front pipe-stainless	0	1	0	0	0	0
B126BS	Silencer-stainless	1	1	0	0	0	0
B126CS	Tail pipe-stainless	1	1	0	0	0	0
B126KT	Exhaust mount kit - stainless + TB	1	1	0	0	0	0
B127AS	Front pipe-stainless	0	0	1	1	0	0
B127BS	Silencer-stainless	0	0	1	1	0	0
B127CS	Tail pipe-stainless	0	0	1	1	0	0
B127KT	Exhaust mount kit - stainless	0	0	1	1	0	0
B128AS	Front pipe-stainless	0	0	0	0	1	1
B128BS	Silencer-stainless	0	0	0	0	1	1
B128CS	Tail pipe-stainless	0	0	0	0	1	1
B128TS	Front pipe-stainless Y Tourer only.						
B128KT	Exhaust mount kit - stainless	0	0	0	0	1	1

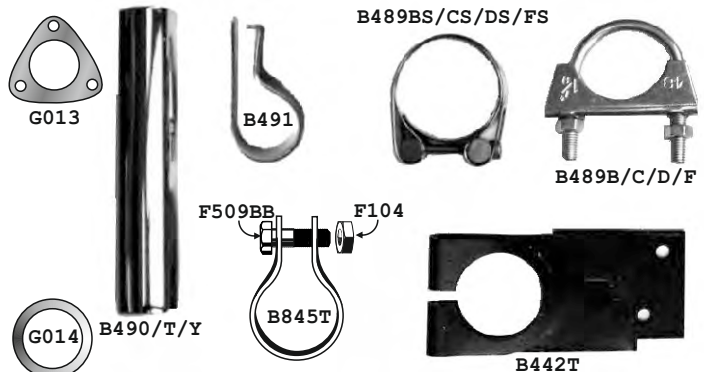
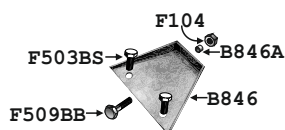
3 Piece Stainless Steel Exhaust Systems:

		TA	TC	TD	TF	YA	YB
B125	Exhaust system-stainless	1	0	0	0	0	0
B126	Exhaust system-stainless	0	1	0	0	0	0
B127	Exhaust system-stainless	0	0	1	1	0	0
B128	Exhaust system-stainless	0	0	0	0	1	1
B240	Exhaust manifold	0	1	1	1	0	0
B240A	Exhaust/inlet manifold	0	0	0	0	1	1
B240B	Exhaust manifold	1	0	0	0	0	0
B241A	Stud-manifold to front pipe	3	3	0	0	0	0
B241B	Stud-manifold to front pipe	0	0	3	3	3	3
B242	Brass nut for above	3	3	3	3	3	3
B442D	Mount (rubber/metal)-rear	0	0	0	0	2	2
B442T	Mount (rbr/mtl)-centre/rear	0	0	2	2	0	0
F104	Nut-exhaust bracket	0	0	2	2	2	2
F204	Nut-mount clamping	0	0	2	2	2	2
F503BS	Set screw-bracket-exhaust	0	0	2	2	2	2

		TA	TC	TD	TF	YA	YB
F509BB	Bolt-bracket-exhaust	0	0	2	2	2	2
F516FB	Bolt-mount clamping	0	0	2	2	2	2

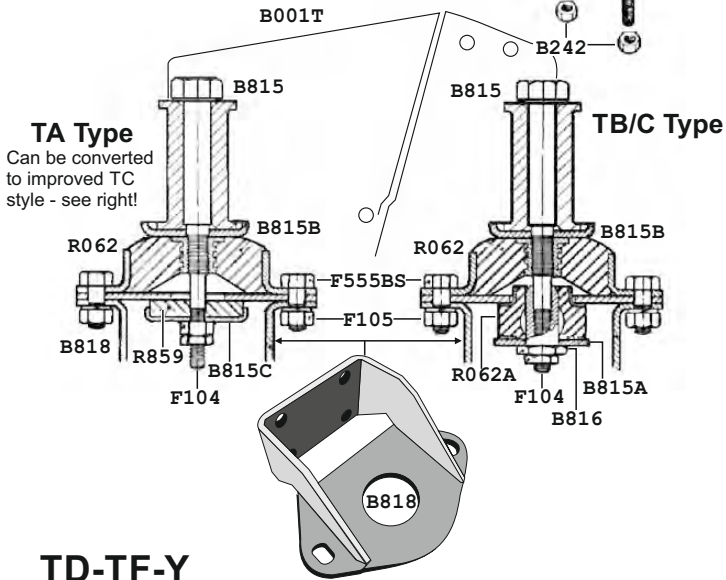
Exhaust Clamps:

		TA	TC	TD	TF	YA	YB
B489B	Silencer-tail pipe m/steel	0	0	1	1	0	0
B489BS	As above-stainless	0	0	1	1	0	0
B489C	Front pipe-silencer m/steel	0	0	1	1	0	0
B489CS	As above-stainless	0	0	1	1	0	0
B489D	Front pipe-silencer m/steel	0	0	0	0	1	1
B489DS	As above-stainless	0	0	0	0	1	1
B489F	Silencer-tail pipe m/steel	1	1	0	0	1	1
B489FS	As above-stainless	1	1	0	0	1	1
B490	Tailpipe trim-chrome 1½"	0	0	1	1	0	0
B490T	Tailpipe trim-chrome 1¼"	1	1	0	0	0	0
B490Y	Tailpipe trim-chrome 1½"	0	0	0	0	1	1
B491	Bracket-tailpipe	1	1	0	0	0	0
B845T	Support-front pipe to g/box	0	0	1	1	1	1
B846	Bracket-exhaust to gearbox	0	0	1	1	1	1
B846A	Spacer-exhaust bracket	0	0	1	0	1	1
G013	Gasket-front pipe flange	1	1	1	1	1	1
G014	Gasket-front pipe to silencer	1	1	0	0	0	0





TA/B/C



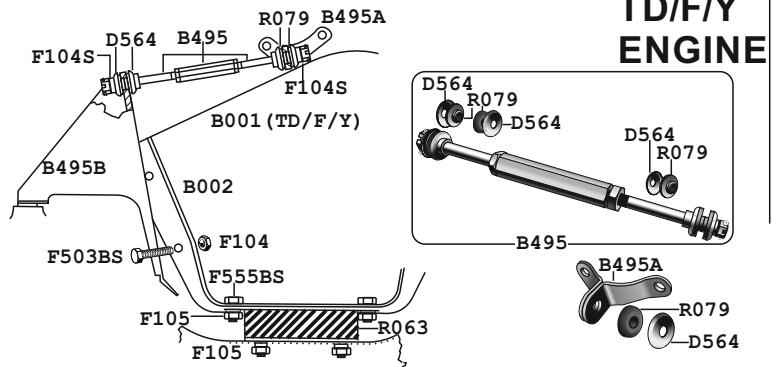
TA-B-C

		TA	TB/C
B001	Mount plate-front engine	1	1
B242	Nut-gearbox mount	4	4
B813**	Rebound straps-eng to chas (pair)	1	0
B815	Bolt-engine mount	2	2
B815A*	Washer-engine mount rebound	0	2
B815B	Cupped washer-top	2	2
B815C	Cupped washer-bottom	2	0
B815K	Cup & washer kit - engine mount	1	1
B816*	Sleeve nut-engine bolt	0	2
B818	Bracket-engine mount	2	2
E214K	Fixing kit	0	1
F104	Nut - 5/16" BSF	1	1
F105	Nut-mount to chassis	4	4
F204	Locknut-mount bolt	2	2
F555BS	Bolt-gearbox mount to chassis	4	4
R062	Mount-engine-front	2	2
R062A*	rebound rubber (under R062)	0	2
R064	Mount-gearbox	2	2
R859	Rebound rubber	2	0

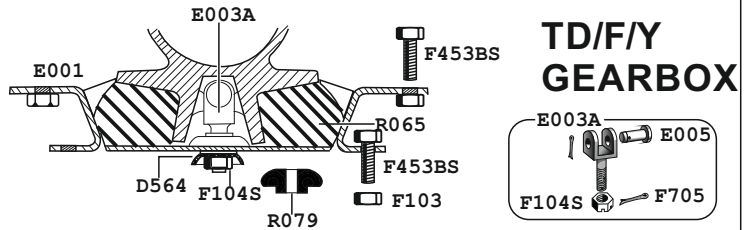
* These items needed to convert TA to improved TB/C mount.
** Clutch can easily crack if not fitted

TD-TF-Y

		TD	TF	YA	YB
B001	Mount Plate - Engine	1	1	1	1
B002	Bracket-engine mount	1	1	1	1
B003	Mount plate-front engine	1	1	1	1
B495	Steady link-engine to chassis	1	1	1	1
B495A	Bracket-water pump-steady link	1	1	1	1
B495B	Bracket-chassis to steady link	1	1	0	0
D564	Cup washer-gearbox mount	1	1	1	1
E001	Mount bracket-gearbox	1	1	1	1
E003A	Mount fork end assembly	1	1	1	1
E005	Clevis pin-gearbox mount	1	1	1	1
F104S	Slotted nut-steady link	2	2	2	2
F104S	Slotted nut-fork end	1	1	1	1
F105	Nut-engine mount + brackets	4	4	4	4
F503BS	Bolt-bracket to mount plate	4	4	4	4
R063	Mount-engine	1	1	1	1
R065	Mount-gearbox (pair)	1	1	1	1
R079	Bush-steady link to engine	4	4	4	4

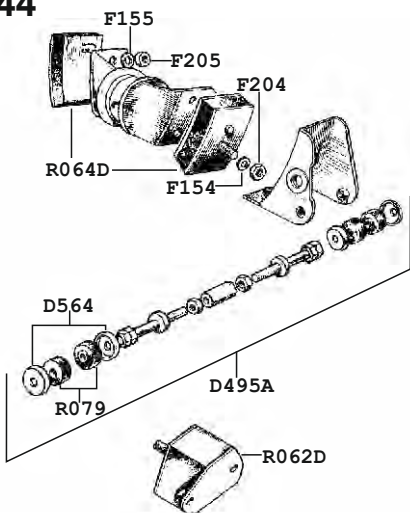


TD/F/Y ENGINE



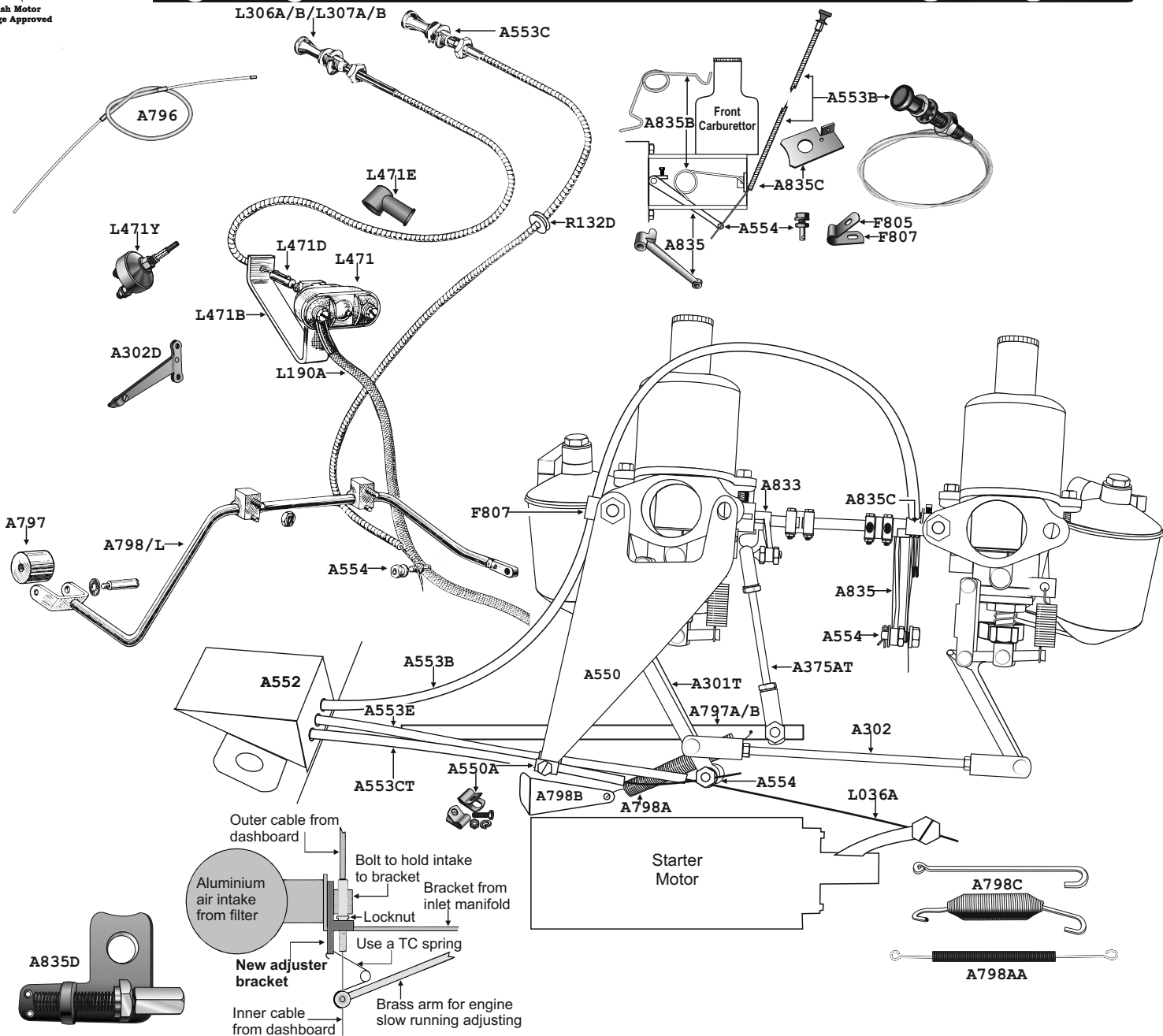
TD/F/Y GEARBOX

W4/44



Wolseley 4/44

		W4
D495A	Steady link-gearbox	1
D564	Cup washer	4
F103	Nut - 1/4" BSF	2
F154	Spring washer-5/16"	AR
F204	Nut-5/16" UNF	AR
F205	Nut-3/8" UNF	AR
F155	Spring washer-3/8"	AR
F453BS	Set Screw 1/4" BSF x 3/4"	4
R062D	Mount-engine	2
R064D	Mount-gearbox	2
R079	Rubber bush-steady link	4



		TA	TC	TD	TF	YA	YB
A302D	Jet link/cable clamp	0	0	0	0	1	1
A375AT	Rod-connecting throttle	1	1	1	1	0	0
A550	Cable bracket-starter+choke	0	1	0	0	0	0
A550A	Cable clip+fixings chke/strter+TB	0	1	0	0	0	0
A552	Cable cover (on bulkhead)	0	1	0	0	0	0
A553B	Slow running cable complete	1	1	0	0	0	0
A553C	Choke cable complete	0	0	0	1	0	0
A553CT	Choke cable complete	1	1	0	0	0	0
A553CY	Choke cable complete exchg	0	0	0	0	1	1
A553E	Choke cable complete +YT	0	0	1	0	0	0
A553P	Starter switch assy (early)	0	0	0	0	1	0
A554	Cable clamp	2	2	1	1	0	0
A555	Cable clamp	0	0	0	0	1	1
A558A	Cable trunnion	0	0	0	0	1	1
A796	Throttle cable	0	0	0	0	1	1
A797	Roller-throttle pedal	1	1	1	1	1	1
A797A	Throttle pedal assembly	1	0	0	0	0	0
A797B	Throttle pedal assembly +TB	0	1	0	0	0	0
A798	Throttle pedal assembly rhd	0	0	1	1	0	0
A798A	Return spring-throttle pedal +TB	0	1	1	1	0	0
A798AA	Spring-throttle pedal	1	0	0	0	0	0
A798B	Bracket-throttle spring	1	1	1	1	1	1
A798C	Spring - throttle cable	0	0	0	0	1	1

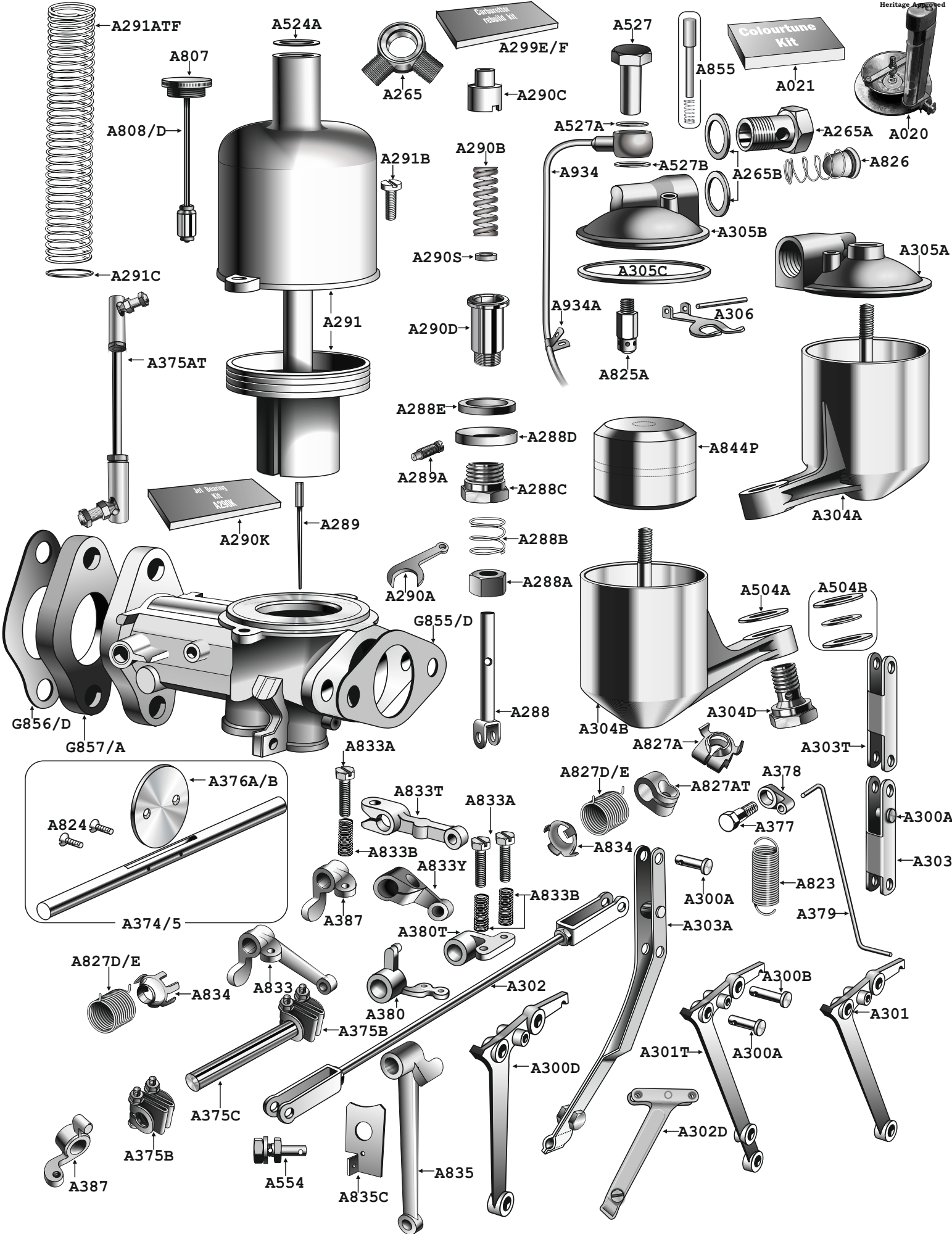
		TA	TC	TD	TF	YA	YB
A798L	Throttle pedal assembly lhd	0	0	1	1	0	0
A835	Lever-slow running +TB	1	1	0	0	0	0
A835B	Spring-slow running lever+TB	1	1	0	0	0	0
A835C	Anchor clip-slow run lever+TB	1	1	0	0	0	0
A835D	Anchor/adjuster	1	0	0	0	0	0
F805	Clamp-starter + choke	2	2	2	2	2	2
F807	Clip-cable to rear carb	1	1	0	0	0	0
L190A	Lead - starter switch	0	0	1	1	1	1
L306A	Starter cable + knob +TB+YT	1	1	0	0	0	0
L306B	Starter cable	0	0	0	0	1	1
L307A	Starter cable +YT	0	0	1	0	0	0
L307B	Starter cable	0	0	0	1	0	0
L471	Switch-starter	0	0	1	1	1	1
L471B	Bracket-starter switch	0	0	1	1	1	1
L471D	Coupling-starter bracket	0	0	1	1	1	1
L471E	Rubber cover-starter switch	0	0	2	2	2	2
L471Y	Push starter switch + YT	0	0	0	0	1	0
R132D	Grommet - choke	1	1	1	1	1	1



Carburettors



British Motor Heritage Approved

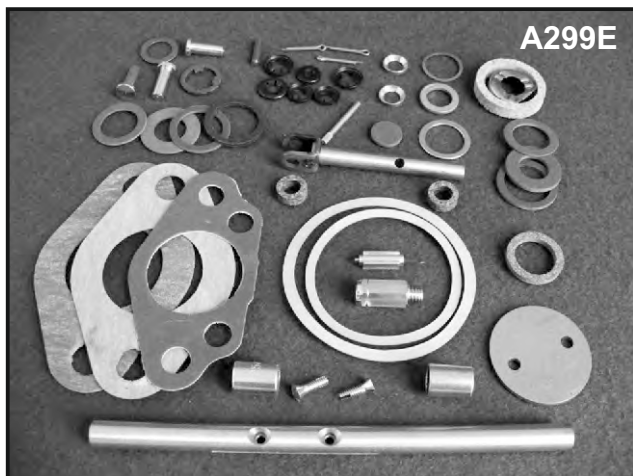


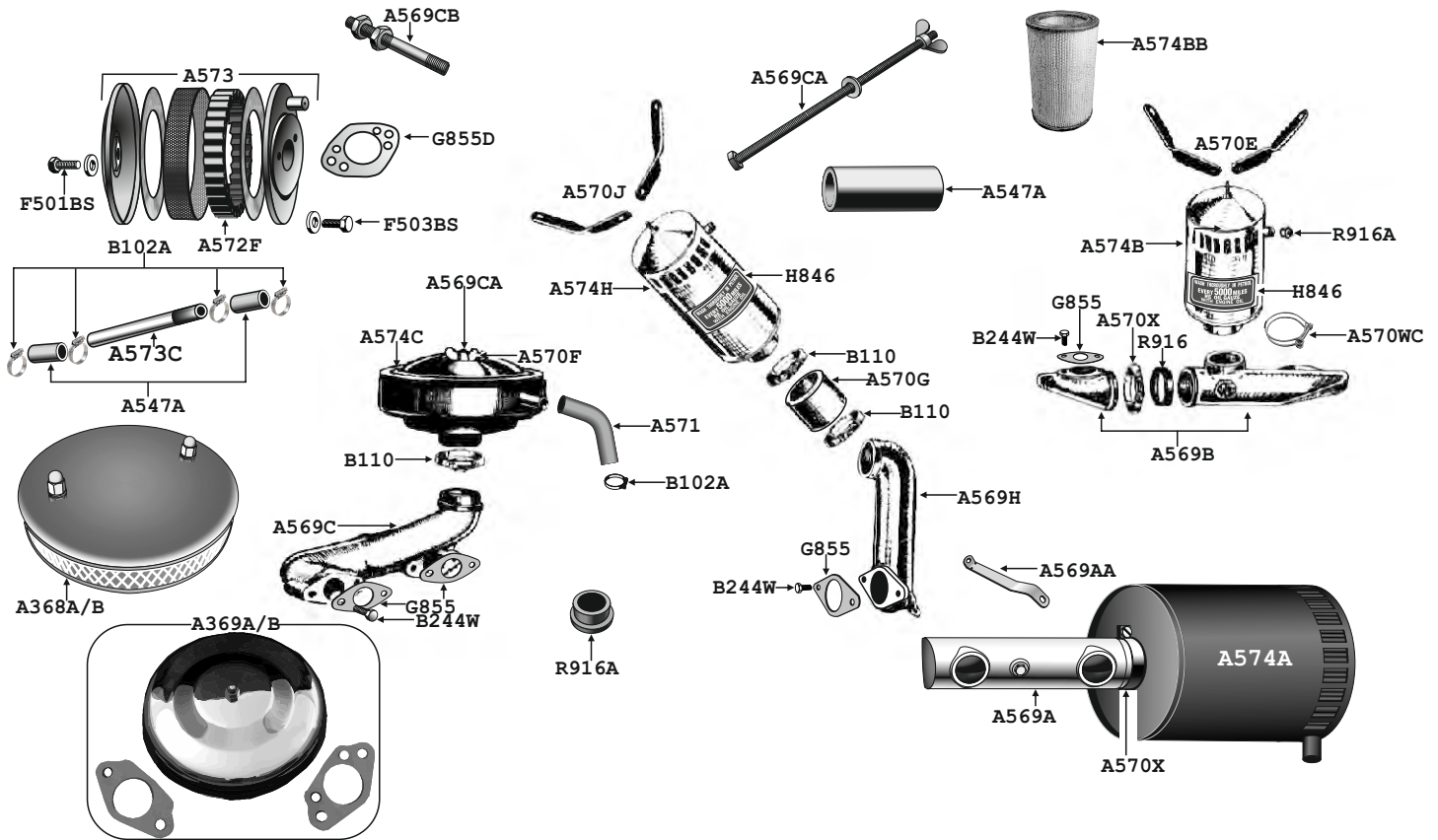


		TA	TC	TD	TF	YA	YB	YT	W
A020	Carb synchronising tool	1	1	1	1	1	1	1	1
A021	Colortune carb mixing tool	1	1	1	1	1	1	1	1
A265	Double banjo +TB	1	1	1	1	0	0	1	0
A265A	Banjo bolt - float chamber	2	2	2	2	2	2	2	2
A265B	Fibre washer - banjo unions	4	4	4	4	4	4	4	4
A288	Carburettor jet	2	2	2	2	2	2	2	2
A288A	Nut - carb adjuster	2	2	2	2	2	2	2	2
A288B	Spring - carb jet adjusting nut	2	2	2	2	2	2	2	2
A288C	Nut - gland sealing	2	2	2	2	2	2	2	2
A288D	Alloy ring - jet seal	2	2	2	2	2	2	2	2
A288E	Large cork seal - jet ring	2	2	2	2	2	2	2	2
A289	Carb needle ES - standard+TB	0	2	2	0	2	2	2	0
A289A	Screw needle	2	2	2	2	2	2	2	2
A289AA	Carb needle (Ls1) (TD mk2)	0	0	2	0	0	0	0	0
A289R	Carb needle (EM) rich +TB	0	2	2	0	0	0	2	0
A289RTF	Carb needle (HI) rich	0	0	0	2	0	0	0	0
A289RY	Carb needle (DK) rich	0	0	0	0	1	1	0	1
A289TA	Carb needle (AC)	2	0	0	0	0	0	0	0
A289TF	Carb needle (GJ) standard	0	0	0	2	0	0	0	0
A289W	Carb needle (AP) weak +TB	0	2	2	0	0	0	2	0
A289WTA	Carb needle (S) weak	2	0	0	0	0	0	0	0
A289WTF	Carb needle (GL) weak	0	0	0	2	0	0	0	0
A289WW	Carb needle (No 1) weak	0	0	0	0	0	0	0	1
A289WY	Carb needle (EF) weak	0	0	0	0	1	1	0	1
A289Y	Carb needle (F1) standard	0	0	0	0	1	1	0	1
A290	Carb seal & washer kit	2	2	2	2	1	1	2	1
A290A	Spanner - jet adjusting	1	1	1	1	1	1	1	1
A290B	Spring - gland seal	2	2	2	2	1	1	2	1
A290C	Jet bearing - top	2	2	2	2	1	1	2	1
A290D	Jet bearing - bottom	2	2	2	2	1	1	2	1
A290K	Jet bearing kit	2	2	2	2	1	1	2	1
A290S	Seal carburettor jet	2	2	2	2	1	1	2	1
A291	Chamber piston	2	2	2	2	1	1	2	1
A291ATF	Spring - carb piston	0	0	0	2	0	0	0	0
A291B	Screw - piston chamber	---	AR---	AR---	AR---	AR---	AR---	---	---
A291C	Washer - piston spring	0	0	0	2	0	0	0	0
A291M	Chamber - piston 1 1/2"	0	0	0	2	0	0	0	0
A298AX	Carburettors - recon (pr)	1	0	0	0	0	0	0	0
A298BX	Carburettors - recon (pr) +TB	0	1	0	0	0	0	1	0
A298CX	Carburettors - recon (pr)	0	0	1	0	0	0	0	0
A298DX	Carburettors - recon (pr)	0	0	0	1	0	0	0	0
A298EX	Carburettors - recon (single)	0	0	0	0	1	1	0	0
A298FX	Carburettors - recon (pr)	0	0	0	0	0	0	1	0
A299E	Carburettor rebuild kit + TB	0	2	2	0	1	1	0	0
A299F	Carburettor rebuild kit (TD late)	0	0	2	2	0	0	0	0
A300A	Clevis pin short	---	AR---	AR---	AR---	AR---	AR---	---	---
A300B	Clevis pin long	---	AR---	AR---	AR---	AR---	AR---	---	---
A300D	Jet lever	0	0	0	0	1	1	0	0
A301	Jet lever front +TB	1	1	0	0	0	0	0	0
A301T	Jet lever front/rear	0	0	2	2	0	0	0	0
A302	Link jet levers + TB	1	1	1	1	0	0	0	0
A302D	Jet link	0	0	0	0	1	1	0	0
A303	Link carb jet +TB	1	1	0	0	0	0	0	0
A303A	Rear link carb	0	0	1	1	0	0	0	0
A303T	Front link - carb jet	0	0	1	1	0	0	0	0
A304A	Float chamber less lid RH + TB	1	1	1	1	1	1	1	1
A304B	Float chamber less lid LH + TB	1	1	1	1	1	1	1	1

		TA	TC	TD	TF	YA	YB	YT	W
A304D	Bolt - chamber to body + TB	2	2	2	2	1	1	2	0
A305A	Lid - float chamber RH +TB	1	1	1	1	1	1	1	1
A305B	Lid - float chamber LH + TB	1	1	1	1	0	0	1	0
A305C	Seal- float chamber top + TB	2	2	2	2	1	1	2	1
A306	Lever+ fork - float chamber + TB	2	2	2	2	1	1	2	1
A374	Carb spindle kit 1 1/4" + TB	2	2	2	0	1	1	2	0
A375	Carb spindle kit 1 1/2"	0	0	0	2	0	0	0	0
A375AT	Rod - throttle connecting + TB	2	2	2	2	0	0	0	0
A375B	W clamp + screws + TB	2	2	2	2	0	0	0	0
A375C	Spindle - throttle coupling + TB	2	2	2	2	0	0	2	0
A376A	Throttle disc 1 1/4" + TB	0	2	2	0	1	1	2	0
A376B	Throttle disc 1 1/2"	0	0	0	2	0	0	0	0
A377	Pivot bolt - fast idle	0	0	1	1	1	1	1	0
A378	Lever - fast idle	0	0	2	2	1	1	1	0
A379	Link bar - fast idle	0	0	1	1	1	1	1	0
A380	Throttle stop - front	0	0	1	1	0	0	0	0
A380T	Throttle stop - front + TB	0	1	0	0	0	0	0	0
A387	Throttle stop - rear	0	0	1	1	0	0	0	0
A504A	Washer - float chamber base	2	2	2	2	1	1	2	1
A504B	Washer set - float bowl + TB	2	2	2	2	1	1	2	1
A524A	Fibre washer - dashpot top + TB	2	2	2	2	1	1	2	1
A527	Nut - float chamber + TB	2	2	2	2	1	1	2	1
A527A	Alloy washer - float chamber+TB	2	2	2	2	1	1	2	1
A527B	Fibre washer - float chamber+TB	2	2	2	2	1	1	2	1
A554	Cable clamp + TB	1	1	1	1	1	1	1	1
A807	Dashpot cp-brass-no damp+TB	2	2	0	0	0	0	0	0
A808	Carburettor damper-knurled+TB	2	2	2	0	1	1	2	0
A808D	Carb damper - hexagonal	0	0	0	2	0	0	0	0
A823	Return spring - carb jet + TB	2	2	2	2	1	1	2	1
A824	Screw - throttle disc + TB	4	4	4	4	2	2	4	2
A825A	Needle jet+seat - improved+TB	2	2	2	2	1	1	2	1
A826	Filter+spring-float chamber+TB	2	2	2	2	1	1	2	1
A827A	Clip - throt shaft return spring	0	0	1	1	0	0	0	0
A827AT	Clip - throt shft return spring+TB	1	1	0	0	0	0	0	0
A827D	Spring - throttle return (pr)+TB	0	1	0	0	0	0	0	0
A827E	Spring - throttle return (pr)	0	0	1	1	0	0	0	0
A833	Lever - thottle + TB	1	1	0	0	0	0	0	0
A833A	Screw - throttle stop + TB	2	2	2	2	1	1	2	1
A833B	Spring - throttle stop + TB	1	1	1	1	1	1	1	1
A833T	Lever - throttle	0	0	1	1	0	0	0	0
A833Y	Lever - carb throttle shaft	0	0	0	0	1	1	0	0
A834	Clip - carb spindle spring + TB	2	2	2	2	1	1	2	1
A835	Lever - slow running + TB	1	1	0	0	0	0	0	0
A835B	Spring-slow running lever + TB	1	1	0	0	0	0	0	0
A835C	Anchor clip - slow run lever +TB	1	1	0	0	0	0	0	0
A844P	Float - carb - plastic + TB	2	2	2	2	1	1	2	1
A855	Tickler/lift pin assembly + TB	2	2	2	2	1	1	2	1
A934	Carb overflow pipe + TB	2	2	2	2	1	1	2	1
A934A	Clip - carb vent pipes + TB	1	1	1	1	1	1	1	1

G855	Gasket - carb to filter 1 1/4" + TB	0	2	2	0	1	1	2	1
G855D	Gasket - carb to filter 1 1/2"	0	0	0	2	0	0	0	0
G856	Gasket - carb to mani 1 1/4" + TB	2	2	2	0	1	1	2	0
G856D	Gasket - carb to mani 1 1/2"	0	0	0	2	0	0	0	0
G857	Spacer - insulating carb 1 1/2"	0	0	0	2	0	0	0	0
G857A	Spacer - insulating carb 1 1/4"+TB	2	2	2	0	1	1	2	0





		TA	TC	TD	TF	YA	YB
A368A	Pancake filter 1.25"	2	2	2	0	1	1
A368B	Pancake filter 1.50"	0	0	0	2	0	0
A369A	Stelling & Hellings filt. 1.25" + TB	0	1/2	1/2	0	1/2	1/2
A369B	Stelling & Hellings filter 1.50"	0	0	0	2	0	0
A547A	Hose-air cleaner	0	0	0	1	0	0
A569A	Manifold-air	1	0	0	0	0	0
A569AA	Bracket - air manifold	1	0	0	0	0	0
A569B	Manifold-air (2-piece)+TB	0	1	0	0	0	0
★A569C	Manifold-air	0	0	1	0	0	0
A569CA	Stud+wing nut-air mnfld-air clnr	0	0	1	0	0	0
A569CB	Stud+nuts-air manifold mounting	0	0	1	0	0	0
A569H	Air pipe (alloy)	0	0	0	0	1	1
A570WC	Wire clip - air cleaner + TB	1	1	0	0	0	0
A570E	Bracket-air cleaner (pr)+TB	0	1	0	0	0	0
A570F	Wing nut-air cleaner	0	0	1	0	0	0
A570G	Hose-air cleaner	0	0	0	0	1	1
A570J	Brackets-air cleaner (pr)	0	0	0	0	1	1
A570X	Clip-air cleaner +TB	0	1	0	0	0	0
A571	Hose-air cleaner +YT	0	0	1	0	0	0
A572F	Element-air cleaner (single)	0	0	0	1	0	0
A573	Air filter complete (pr)	0	0	0	1	0	0
A573C	Metal pipe-rocker cover	0	0	0	1	0	0
A574A	Air cleaner	1	0	0	0	0	0

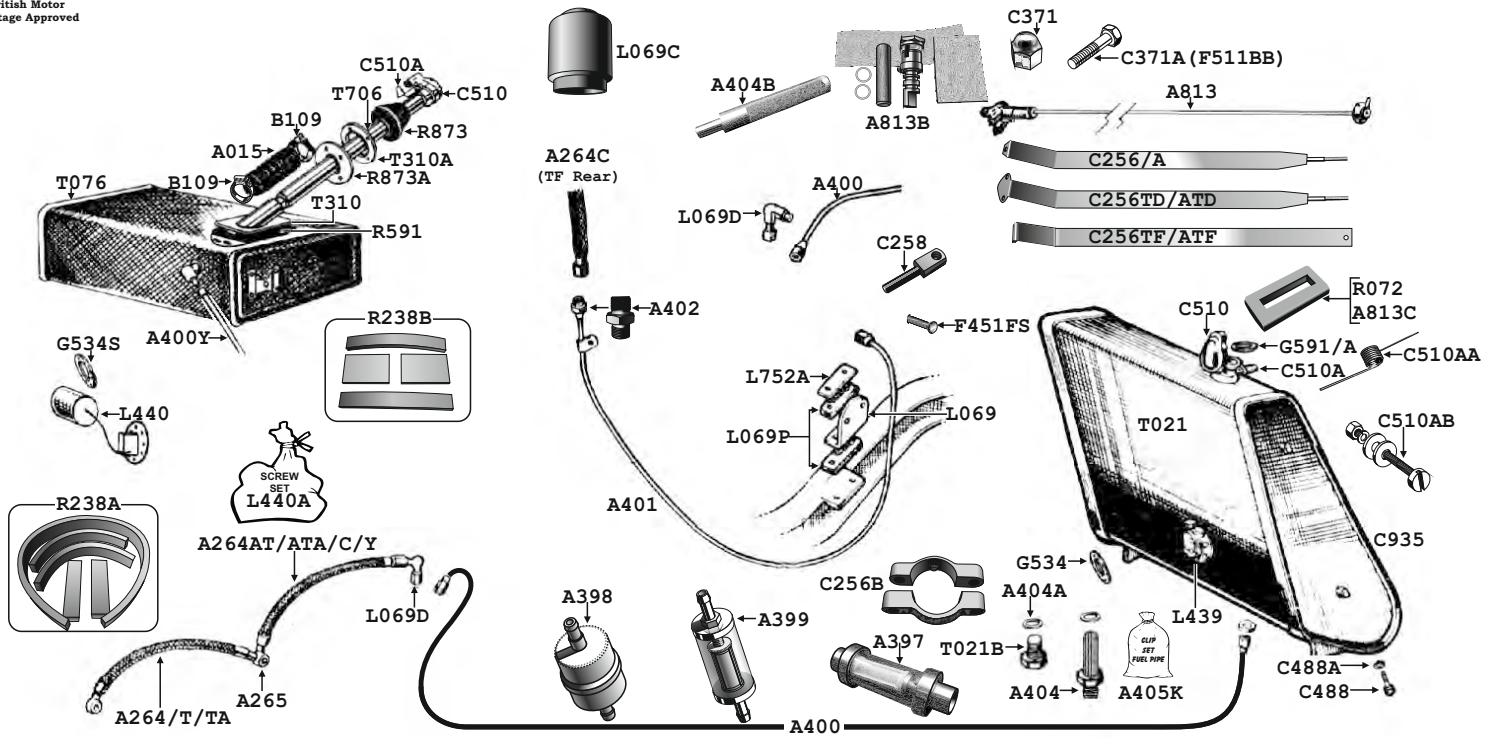
		TA	TC	TD	TF	YA	YB
A574B	Air cleaner+TB	0	1	0	0	0	0
A574BB	Air filter element for A574BB + TB	0	1	0	0	0	0
A574C	Air cleaner (K&N filter)	0	0	1	0	0	0
A574H	Air cleaner	0	0	0	0	1	1
B102A	Clip-air cleaner hose	0	0	0	4	2	2
B110	Clip-air cleaner	1	0	1	0	2	2
B244W	Bolt - air manifold	0	4	4	0	2	2
F501BS	Bolt-air cleaner-front	0	0	0	4	0	0
F503BS	Bolt-air cleaner to carb	0	0	0	4	0	0
G855	Gasket-air cleaner to carb	0	2	2	0	1	1
G855D	Gasket-air cleaner to carb	0	0	0	2	0	0
H846	Label-air filter + TB	0	1	0	0	1	1
R916	Joint ring-air manifold	0	1	0	0	0	0
R916A	Grommet-air cleaner-rock/cover	0	1	0	0	0	0

★ Suitable for reproduction air cleaners only!



TA air cleaner to original design but featuring an internal conversion to accept an MGB air filter.





		TA	TC	TD	TF	YA	YB
A015	Hose-filler pipe to tank	0	0	0	0	1	1
A264	Hose-carb to carb 16"	0	0	0	1	0	0
A264T	Hose-carb to carb 13"	0	1	1	0	0	0
A264TA	Hose-carb to carb 8"	1	0	0	0	0	0
A264AT	Hose-pump to carb 18"	0	1	0	0	0	0
A264AY	Hose-pump to carb 18"	0	0	0	0	1	1
A264ATA	Hose-pump to carb 13"	1	0	0	0	0	0
A264C	Hose-pump to carb 15"	0	0	1	1	0	0
A265	Banjo union-rear carb	1	1	1	1	0	0
A265B	Washer-fibre-unions	4	4	4	4	2	2
A397	Filter - in line - brass & glass	1	1	1	1	1	1
A398	Filter - in line fuel - plastic	1	1	1	1	1	1
A399	Filter - in line fuel - glass&chrome	1	1	1	1	1	1
A400	Fuel pipe-tank to pump *	0	0	1	1	0	0
A400Y	Fuel pipe-tank to pump	0	0	0	0	1	1
A400A	Fuel pipe-tank to union	1	0	0	0	0	0
A400B	Fuel pipe-union to tap/pipe	1	0	0	0	0	0
A400C	Fuel pipe-tap to pump	1	0	0	0	0	0
A401	Fuel pipe pump to hose **	0	0	0	1	0	0
A402	Union-pipe to hose + TD Mk 2	1	1	1	1	0	0
A404	Adapter & filter-fuel tank	1	1	1	1	0	0
A404A	Washer-f/tank plug & adaptor	2	2	2	2	0	0
A404B	Replacement filter - fuel outlet	1	1	1	1	0	0
A405A	Fuel pipe-tank to union	0	1	0	0	0	0
A405B	Fuel pipe-union to pump	0	1	0	0	0	0
A405K	Clip set - fuel pipe to chassis	0	1	0	0	0	0
A813	Fuel reserve tap & control + TB	1	0	0	0	0	0
A813B	Repair kit - fuel reserve tap +TB	1	0	0	0	0	0
A813C	Grommet-rad shell+res tap +TB	3	0	0	0	0	0
B109	Clip-Filler Pipe Hose	0	0	0	0	0	2
C256	Tank straps-chrome (pair)	1	1	1	0	0	0
C256A	Tank straps-plain (pair)	1	1	1	0	0	0
C256B	Bracket- bottom-tank strap	2	2	2	0	0	0
C256ATD	Tank straps-plain (pair)	0	0	1	0	0	0
C256TD	Tank straps-chrome (pair)	0	0	1	0	0	0
C256ATF	Tank straps-plain (pair)	0	0	0	1	0	0
C256TF	Tank straps-chrome (pair)	0	0	0	1	0	0
C258	Bracket-tank strap-bottom	0	0	0	2	0	0
C371	Dome nut - tank strap	4/2	4/2	4/2	4/2	0	0
C371A	(F511BB)						
C488	Dome bolt-tank end	4	4	4	4	0	0
C488A	Washer-dome bolt	4	4	4	4	0	0
C510	Filler cap-fuel tank	1	1	1	1	1	1
C510A	Release trigger-filler cap	1	1	1	1	1	1
C510AA	Spring-fuel cap trigger+YT	1	1	1	1	1	1

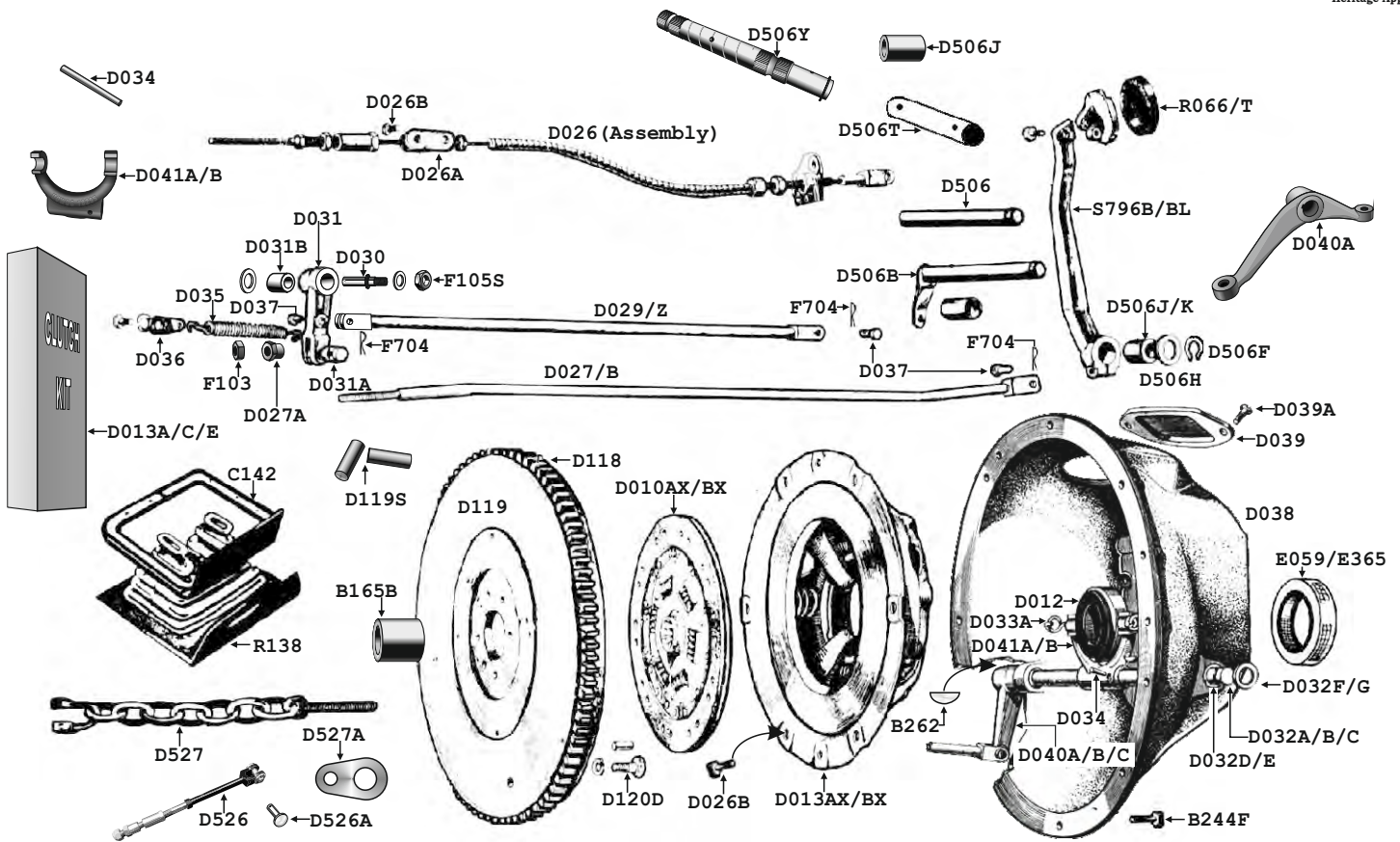
		TA	TC	TD	TF	YA	YB
C510AB	Fitting kit - trigger to cap	1	1	1	1	1	1
C935	Tank end panel set	1	1	0	0	0	0
C935A	Bolt-rear wing to fuel tank	2	2	0	0	0	0
C935TD	Tank end panel set	0	0	1	0	0	0
C935TF	Tank end panel set	0	0	0	1	0	0
F451FS	Set screw-1/4" UNF x 1/2"	---	---	AR	---	---	---
F511BB	Bolt for C371	4/2	4/2	4/2	4/2	0	0
G534S	Gasket set-tank sender unit	0	1	1	1	1	1
G591	Gasket-filler cap +TB + YT	1	1	0	0	1	0
G591A	Gasket-filler cap	0	0	1	1	0	1
L069	Bracket - fuel pump	1	1	1	1	1	1
L069C	Cover fuel pump	0	0	0	1	0	0
L069D	Angle union - fuel pump	2	2	2	2	2	2
L069P	Pad set (pr) fuel pump mount	0	0	1	1	1	1
L439	Tank sender unit with float	0	1	1	1	0	0
L440	Tank sender unit with float	0	0	0	0	1	1
L440A	Screw set-tank sender unit	0	1	1	1	1	1
L752A	Plate - rear fuel pump only	0	0	0	1	0	0
R061	Rubber cover-rear fuel pump	0	0	0	1	0	0
R072	Grommet-rad shell+reserve tap	3	3	3	0	0	0
R074	Rubber strips-tank strap(pr)	1	1	1	1	0	0
R092	Grommet-radiator shell+rsrv tap	3	3	3	0	0	0
R238A	Pad set-fuel tank/chassis	1	1	1	0	0	0
R238B	Pad set-fuel tank/chassis	0	0	1	1	0	0
R591	Seal-fuel tank to floor	0	0	0	0	1	1
R873	Grommet-fuel filler neck	0	0	0	0	1	1
R873A	Seal-fuel filler-body side	0	0	0	0	1	1
T021T	Fuel tank 80.30cm (w/neck)	1	0	0	0	0	0
T021TA	Fuel tank 93.00cm (w/neck)	1	0	0	0	0	0
T021TC	Fuel tank (w/neck)	0	1	0	0	0	0
T021TD	Fuel tank (w/neck)	0	0	1	0	0	0
T021TF	Fuel tank (w/neck)	0	0	0	1	0	0
T021A	Neck only-fuel tank	1	1	1	1	0	0
T076	Fuel tank	0	0	0	0	1	1
T076A	Filler pipe +YT	0	0	0	0	1	1
T076S	Fuel tank (stainless steel)	0	0	0	0	1	1
T310	Plate-tank seal to floor	0	0	0	0	1	1
T310A	Plate-filler neck to wing	0	0	0	0	1	1
TD Mk 2	(Twin fuel pumps)						
A264	Hose-carb to carb 16"						3
A264AT	Hose-pump to carb 18"						1
A402	Union-pipe to hose + TD Mk 2						1

* TF with under bonnet pump
** TF with rear mounted pump

See Page 45 for Fuel Pumps



Clutch & Flywheel



	TA	TC	TD	TF	YA	YB		TA	TC	TD	TF	YA	YB
B165B Bush-crankshaft+TB	0	1	1	1	0	0	D038 Clutch housing 7 1/4"+YT	0	0	1	0	1	0
B244F Bolt-clutch housing+YT	10	10	10	10	10	10	D038F Clutch housing 8"	0	0	1	1	0	1
B262 Woodruff key-clutch shaft	1	1	1	1	1	1	D038T Clutch housing 7 1/4"+TB	0	1	0	0	0	0
C142 Plate-retainer pedal excluder	1	1	1	1	0	0	D039 Cover plate	0	1	1	1	1	1
D004A Alignment tool	1	1	1	1	1	1	D039A Screw-inspection plate cover	0	2	2	2	2	2
D010AX 7 1/4" Clutch plate-exchange (TD to eng.9407 YA to 16915)	0	1	1	0	1	0	D040A Lever-clutch shaft + TB	0	1	0	0	0	0
D010BX 8" Clutch plate-exchange (TD/F after eng. 9407 YA/B after 16915)	0	0	1	1	1	1	D040B Lever-clutch shaft 5/8"	0	0	1	0	1	0
D012 Release bearing (carbon)	0	1	1	1	1	1	D040C Lever-clutch shaft 3/4"	0	0	1	1	0	1
D012S Spring - clutch release lever + TB	0	3	3	3	3	3	D041A Fork-clutch 5/8"	0	1	1	0	1	1
D013A Clutch kit - 3 piece 7.25" + TB +YT0	1	1	1	0	1	0	D041B Fork-clutch 3/4"	0	0	1	1	1	1
D013AX 7 1/4" Cover assembly-exchng (TD to eng.9407 YA to 16915)	0	1	1	1	1	1	D042 Pin-shaft lever	0	1	1	1	1	1
D013BX 8" Cover assembly-exchange (TD/F after eng.9407 YA/B after 16915)	0	0	1	1	1	1	D056X Plate-re-corked exchange	1	0	0	0	0	0
D013C Clutch kit - 3 piece	0	0	1	0	0	1	D118 Ring gear 120T x 8"	0	0	1	1	0	1
D013E Clutch kit - 3 piece 8" W4/44	0	0	1	0	1	1	D118T Ring gear 93T x 7 1/4"	0	1	0	0	1	0
D026 Clutch cable assembly	0	0	1	0	1	1	D118TD Ring gear 120T x 7 1/4"	0	0	1	0	1	0
D026A Abutment-clutch cable	0	0	1	0	1	1	D119 Flywheel for 7 1/4" clutch	0	1	1	0	1	0
D026B Screw-abutment	0	0	2	0	2	2	D119S Dowel set	1	1	1	1	1	1
D027 Clutch release rod	0	0	1	1	0	0	D119T Flywheel for 8" clutch	0	0	1	1	0	1
D027A Adjuster nut-clutch release	0	0	1	1	0	0	D120D Bolt-flywheel to crank	0	4	4	4	4	4
D027B Clutch rod - LHD	0	0	1	1	0	0	D410A Pedal-clutch	1	1	0	0	0	0
D029 Clutch connecting rod	0	0	1	1	1	1	D506 Shaft(rhd)-clutch/brake pedal	0	0	1	1	0	0
D029Z Clutch con rod - adjustable	0	0	1	1	1	1	D506B Shaft(lhd)-clutch/brake pedal	0	0	1	1	0	0
D030 Clutch pivot pin	0	0	1	1	1	1	D506E Tube-chassis-pedal shaft	0	0	1	1	0	0
D031 Clutch release lever	0	0	1	1	1	1	D506F Circlip-pedal shaft 3/4"	0	0	2	2	2	2
D031A Lower trunnion bush	0	0	1	1	1	1	D506H Thrust washer-pedal shaft	0	0	2	2	0	0
D031B Bush-clutch lever	0	0	1	1	1	1	D506J Bush-brake/clutch pedal	2	2	0	0	1	1
D032A Shaft-clutch 5/8"+TB	0	1	0	0	0	0	D506K Bush-brake/clutch pedals	0	0	2	2	0	0
D032B Shaft-clutch 5/8"+YT	0	0	1	0	1	0	D506T Shaft-clutch/brake pedal	1	1	0	0	0	0
D032C Shaft-clutch 3/4"	0	0	1	1	0	1	D506Y Shaft-clutch/brake pedal+YT	0	0	0	0	1	1
D032D Bush-shaft 5/8"+TB/YT	0	2	2	0	2	0	D526 Release rod assy clutch	1	0	0	0	0	0
D032E Bush-shaft 3/4"	0	0	2	2	0	2	D526A Clevis pin-clutch rod	1	0	0	0	0	0
D032F Circlip-shaft 5/8"+TB/YT	0	2	2	0	2	0	D527 Clutch chain assembly+TB	0	1	0	0	0	0
D032G Circlip-shaft 3/4"	0	0	2	2	0	2	D527A Bracket-clutch spring-starter bolt	0	1	0	0	0	0
D033A Circlip-release fork	0	2	2	2	2	2	E059 Oil seal-clutch housing+YT	0	0	1	1	1	1
D034 Taper pin-release fork & lever	0	2	2	2	2	2	E365 Oil seal-clutch housing	1	1	0	0	0	0
D035 Return spring-clutch mechanism	0	0	1	1	1	1	F103 Lock nut-clutch rod adjuster	0	0	1	1	0	1
D035T Return spring-clutch + TB	0	1	1	0	0	0	F105S Lock nut-clutch pivot pin	0	0	1	1	1	1
D036 Bracket-return spring	0	1	1	1	1	1	F704 Split pin-clevis pin	0	0	3	3	0	3
D037 Clevis pin set (3)	0	0	1	1	1	1	R066 Pedal pad-brake/clutch	0	0	2	2	2	2
							R066T Pedal pad-brake/clutch	2	2	0	0	0	0
							R138 Draught excluder-pedals	1	1	1	1	0	0
							S796B Pedal-rhd	0	0	1	1	0	0
							S796BL Pedal-clutch lhd	0	0	1	1	0	0

TD/Y to determine clutch size without dismantling, check diameter of clutch shaft protruding from bell housing.
 7 1/4" clutch used 5/8" (15.8mm) O.D shaft
 8" clutch used 3/4" (19mm) O.D shaft



TD/F Kit Contents:

- Cast aluminium Bell Housing
- Gasket-Bell Housing/Gearbox
- Spigot Bush.
- Gearbox Mounting-Rear
- Engine Mount-Front
- Cross Member.
- Cross Member Side Supports x 2
- Engine Mount Packing Plate.
- Exhaust Support Bracket.
- Engine Torque Reaction Brkt/Bolt.
- Floor Rail Support Brackets x 2
- Chrome Gear Lever Assembly
- Clutch Plate (7.25" or 8")
- Speedometer Cable/Circlip.
- Brake Pipe (RHD only)
- Fan Spacer + Bolts (TF only).
- Front Wing Tie Bar (TF only).
- Propshaft.
- Gearbox Cover in Moulded ABS.
- All Bolts and Fasteners
- Detailed Fitting Instructions.
- Loctite.

E250	Sierra gearbox-reconditioned	All
E250C	Gearbox conversion kit-5 speed	TC
E250D	Gearbox conversion kit-5 speed	TD
E250F	Gearbox conversion kit-5 speed	TF
E250G	Gearbox conversion kit-5 speed	Y

E250Z	Aligment tool	All
J300SA	Carpet set-black - for conv only	TD/F
J300SM	Carpet set-red for - conv only	TD/F
J302SA	Tunnel carpet only - black	TD/F

This beautifully engineered kit is supplied with every part needed to adapt a modern 5-speed all synchro gearbox for use in your T or Y-Type, offering relaxed cruising, less vibration, greater economy and longer engine life. It uses a Ford Sierra Type 9 gearbox as used on 1.6L and 1.8L (1982-91) and 2.0L (1982-87). The gearbox is not part of the kit, but we can supply a guaranteed unit, or a sound unit can often be obtained cheaply from a vehicle dismantler. The original clutch assembly is retained, as is the cross-shaft and release mechanism. The gear lever stays in the original position, and there is little evidence of the conversion once fitted. It is easy to revert to original equipment should this be required.

Speedo Calibration:

Your vehicle speedometer will need re-calibrating. Instructions on how to measure the vehicle speedometer characteristics for re-calibration are included.

Note. Chronometric Speedometers TABC & early TD are difficult to recalibrate. A small step up gearbox is available that fits directly into the speedo cable entry point on the Ford gearbox. This gearbox will then drive the original cable to the speedometer. The owner must send his speedo together with calibration data obtained from the vehicle to enable the correct unit to be supplied.

For competition use, a heavy duty version gearbox is available, details on request.

TD/YB Axle Ratio 5.125:1

- 4th Gear – 14.42 mph/1000 rpm
- 5th Gear – 17.60 mph/1000 rpm
- 70 mph 4584 rpm – 4th Gear
- 70 mph 3787 rpm – 5th Gear

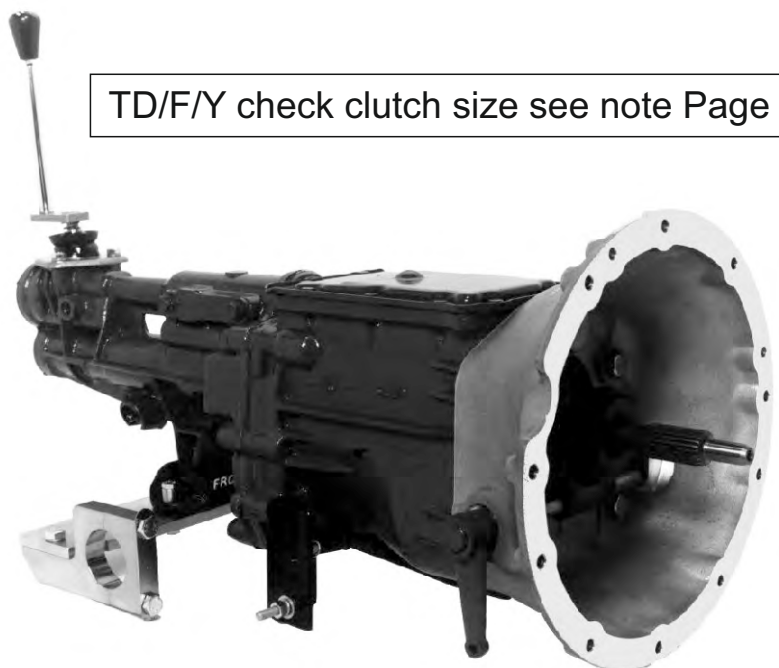
TF Axle Ratio 4.875:1

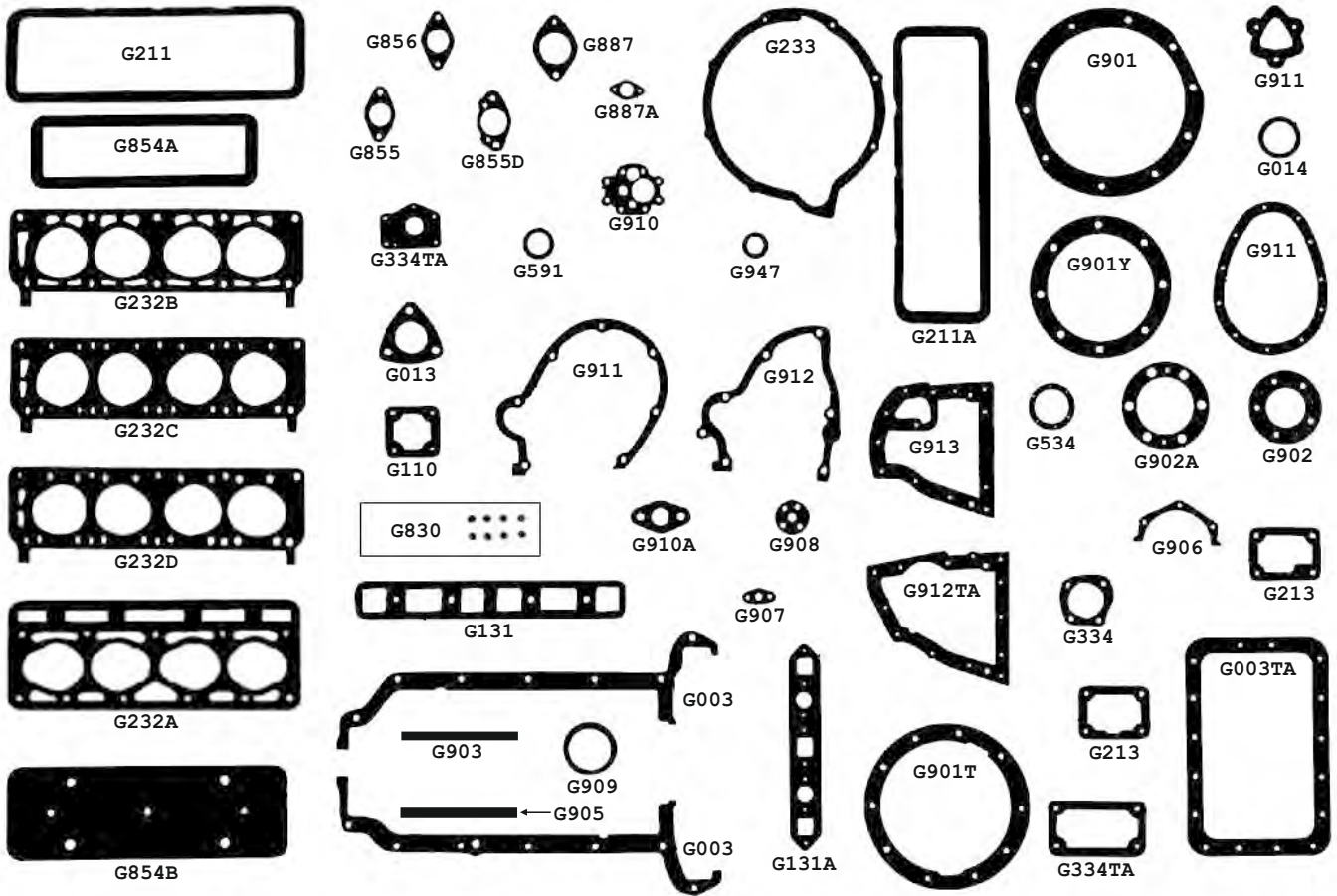
- 4th Gear – 15.16 mph/1000 rpm
- 5th Gear – 19.78 mph/1000 rpm
- 70 mph 4617 rpm – 4th Gear
- 70 mph 3787 rpm – 5th Gear

Gear Ratios T/Y 5 Speed Conversion

First	3.50	3.65
Second	2.07	1.97
Third	1.385	1.37
Fourth	1.00	1.00
Fifth	N/A	0.82

TD/F/Y check clutch size see note Page 20





COMPLETE GASKET SETS

	TA	TC	TD	TF	YA	YB
G001 Head set-round water holes	0	0	1	0	0	1
G001A Head set-copper hd gasket	1	0	0	0	0	0
G001T Head set-oval water holes	0	1	1	0	1	0
G001TA Head set-composition hd gkt <i>(Cheaper alternative to G001A)</i>	1	0	0	0	0	0
G001C Head set-1250cc	0	0	0	1	0	0
G001D Head set-1500cc	0	0	0	1	0	0
G001S Head set-less head gasket	0	1	1	1	1	1
G002 Conversion set-(lower eng)	0	1	1	1	1	1
G002TA Conversion set-(lower eng)	1	0	0	0	0	0
G004 Sump set (sump gasket+seals)	0	1	1	1	1	1

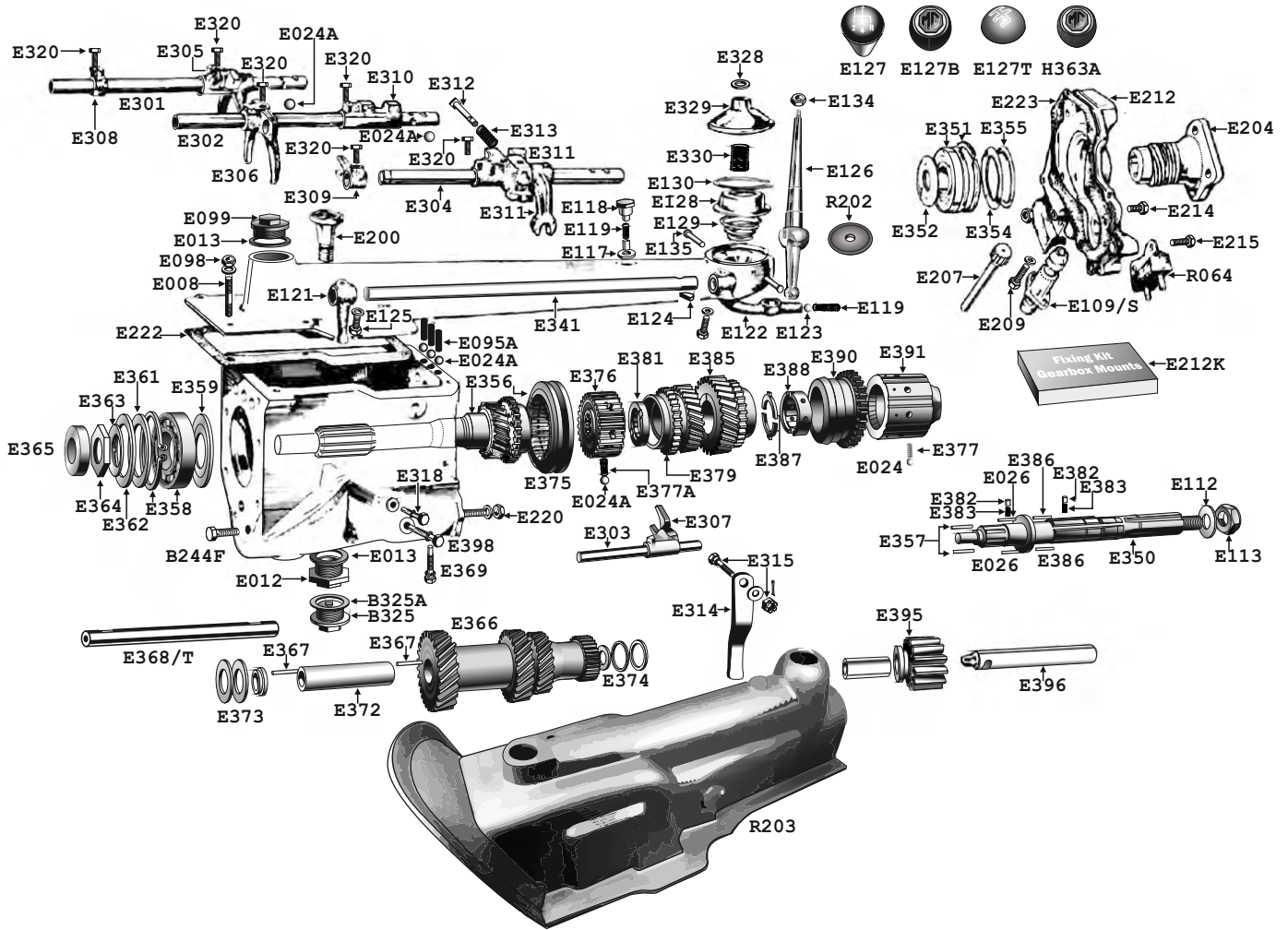
Note:
G001 + G002 = complete engine set (G004 incl in G002)

INDIVIDUAL GASKETS

	TA	TC	TD	TF	YA	YB
G003 Sump	0	1	1	1	1	1
G003TA Sump	1	0	0	0	0	0
G013 Exhaust flange	1	1	1	1	1	1
G014 Front pipe to silencer	1	1	0	0	0	0
G110 End plate-steering box	1	1	0	0	0	0
G111 Top plate-steering box	1	1	0	0	0	0
G131 Manifold to cylinder head	0	1	1	1	1	1
G131A Manifold to cylinder head	1	0	0	0	0	0
G211 Rocker cover	0	1	1	1	1	1
G211A Rocker cover	1	0	0	0	0	0
G212 Rear plate-cylr head (cork)	0	1	1	1	1	1
G213 Gasket-front cylinder head+TB	0	1	1	1	1	1
G232A Cylinder head-composition <i>(Cheaper alternative to G232AA)</i>	1	0	0	0	0	0
G232AACylinder head-copper	1	0	0	0	0	0
G232B Cylinder head-oval holes <i>(TD to eng no.17968 YA to eng no 17462)</i>	0	1	1	0	1	0
G232C Cylinder head-round holes <i>(TD from eng.17969 YA/B from eng 17463)</i>	0	0	1	1	0	1
G232D Cylinder head-1500cc	0	0	0	1	0	0
G233 Clutch housing to engine	1	0	0	0	0	0
G334 Water pump flange	0	1	1	1	1	1

	TA	TC	TD	TF	YA	YB
G334TA Water pump flange	1	0	0	0	0	0
G334A Front + rear-cylinder head	2	0	0	0	0	0
G534 Fuel sender unit	0	1	1	1	1	1
G534A Gasket - backplate tank sender	1	1	1	1	1	1
G591 Fuel tank neck	1	1	1	1	1	1
G830 Oil seal set-valve stem (8)	1	1	1	1	1	1
G830A Oil seal (improved design)	8	8	8	8	0	0
G854A Tappet side plate	1	0	0	0	0	0
G854B Tappet side plate	0	1	1	1	1	1
G855 Air cleaner to carb	0	2	2	2	1	1
G856 Manifold to carb	2	2	2	4	1	1
G857 Spacer-inlet manifold	0	0	0	2	0	0
G887 Thermostat flange	1	1	1	1	1	1
G887A Bypass to thermostat	1	1	1	1	1	1
G901 Differential-housing	1	1	1	1	1	1
G902 Rear hub flange +YT	0	0	0	0	2	0
G902A Rear hub flange	2	2	0	0	0	0
G903 Seal(upper/lower)-frnt crnk	0	2	2	2	2	2
G903A Lip seal-front of crank <i>(replaces G903 2 piece seal)</i>	0	1	1	1	1	1
G905 Cork seal-rear main bearing	0	1	1	1	1	1
G906 Oil thrower cover	0	1	1	1	1	1
G907 Oil pick up (in sump) <i>(TD to eng 14947 YA to eng 17382)</i>	0	1	1	0	1	0
G908 Oil pick up (in sump) <i>(TD from eng 14948 YA/B from eng 17383)</i>	0	0	1	1	0	1
G909 Oil strainer (in sump)	0	1	1	1	1	1
G910 Oil pump body	0	1	1	1	1	1
G910TA Oil pump body	1	0	0	0	0	0
G910A Oil pipe to pump	1	1	0	0	1	0
G911 Timing cover	0	1	1	1	1	1
G911T Timing cover	1	0	0	0	0	0
G912 Gasket-engine front plate+TB	0	1	1	1	1	1
G912TA Front engine mount plate	1	0	0	0	0	0
G913TA Flywheel housing	1	0	0	0	0	0
G947 Felt seal-timing cover	1	0	0	0	0	0
X389 'Hylomar' joint compound	---	A/R	---	---	---	---

FOR GEARBOX GASKETS – SEE SEPARATE GEARBOX SECTION

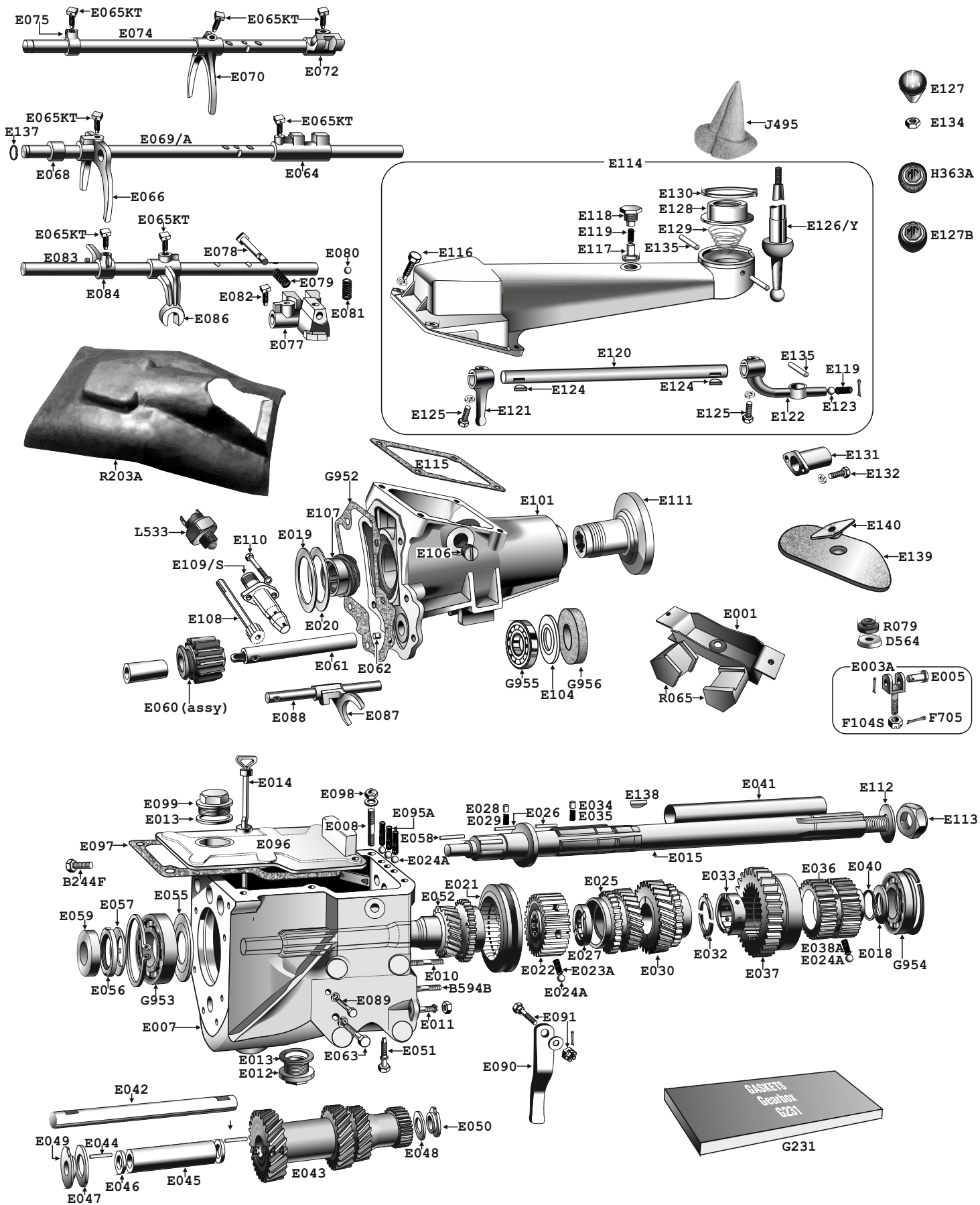


B244F	Bolt-gearbox to clutch housing	8	E212K	Fixing kit - gearbox mounts	1	E362	Spring plate-guard	1
E008	Stud-top cover	6	E214	Bolt-mount-cover (<i>short</i>)	2	E363	Lockwasher-bearing	1
E012	Plug-oil drain	1	E215	Bolt + nut-mount-cover (<i>long</i>)	2	E364	Nut-first motion shaft	1
E013	Washer-filler + drain plug	2	E220	Nut-rear cover stud	3	E365	Oil seal-first motion shaft	1
E020	Spring plate-guard	1	E222	Gasket-gearbox top	1	E366	Laygear cluster	1
E024A	Ball-selector shaft + sliding hub	AR	E223	Gasket-gearbox rear	1	E367	Rollers-laygear	30
E026	Rollers-third gear	36	E301	Selector shaft-first/second	1	E367	Rollers-first motion shaft	13
E095A	Springs-selector shaft	3	E302	Selector shaft-third/fourth	1	E368	Layshaft	1
E098	Nut-top cover stud	6	E303	Selector shaft-reverse fork	1	E369	Lockbolt-cluster shaft	1
E099	Plug-oil filler	1	E304	Selector shaft-reverse	1	E372	Spacer-roller bearing	1
E109	Housing-speedo pinion	1	E305	Fork-first/second selector	1	E373	Thrust washer assembly-front	1
E109S	Housing-speedo pin. incl oil seal	1	E306	Fork third/fourth selector	1	E374	Thrust washer assembly-rear	1
E110	Screw-speedo pinion housing	2	E307	Fork-reverse selector	1	E375	Sliding dog third & fourth	1
E112	Washer-main shaft	1	E308	Stop-second speed	1	★E376	Sliding hub third & fourth	1
E113	Nut-rear flange main shaft	1	E309	Steady-reverse selector shaft	1	E377A	Springs-sliding hubs	12
E117	Plunger-operating shaft	1	E310	Selector third/fourth	1	E379	Third gear	1
E118	Cap-operating shaft	1	E311	Selector-reverse	1	E381	Lock plate-third gear	1
E119	Spring-compression	1	E312	Plunger-reverse selector	1	E382	Plunger-second & third gear	2
E121	Selector lever-front	1	E313	Spring-reverse selector	1	E383	Spring-second & third gear	2
E122	Selector lever-rear	1	E314	Link-reverse operating	1	E385	Second gear	1
E123	Ball-actuating lever	1	E315	Pivot bolt-reverse link	1	E386	Rollers-second gear (<i>set 22</i>)	1
E124	Key-operating shaft	2	E318	Lock bolt-reverse fork shaft	1	E387	Split washer-second gear	2
E125	Bolt-actuating shaft lever	2	E320	Lock bolts (<i>set of 6</i>)	1	E388	Collar-second gear	1
E126	Gear lever	1	E328	Circlip-gear lever	1	E390	First gear	1
E127	Gear knob	1	E329	Cover-gear lever upper	1	E391	Sliding hub-first & second	1
E127B	Gear knob-leather (MG)	1	E330	Spring-gear lever upper	1	E395	Reverse gear	1
E128	Cover-lower gear lever	1	E341	Operating shaft	1	E396	Shaft-reverse gear	1
E129	Spring-anti rattle	1	E350	Mainshaft	1	E398	Lock bolt-reverse gear shaft	1
E130	Circlip-lower gear cover	1	E351	Bearing-main shaft rear	1	H363A	Gear knob-wood (MG badge)	1
E134	Nut-lever	1	E352	Guard-rear main shaft bearing	1	R202	Seal - gear lever	1
E135	Pin-gear lever	2	E354	Plate-guard	1	R203	Cover - gearbox - rubber	1
E200	Dipstick	1	E355	Spring plate-guard	1			
E204	Flange-rear	1	E356	First motion shaft	1			
E207	Pinion-speedometer	1	E358	Bearing-first motion shaft	1			
E212	Cover plate-rear gearbox	1	E359	Guard-first motion bearing	1			
			E361	Plate-guard	1			

★ Sold as assembly with E375, balls & springs



Gearbox TD - TF - Y



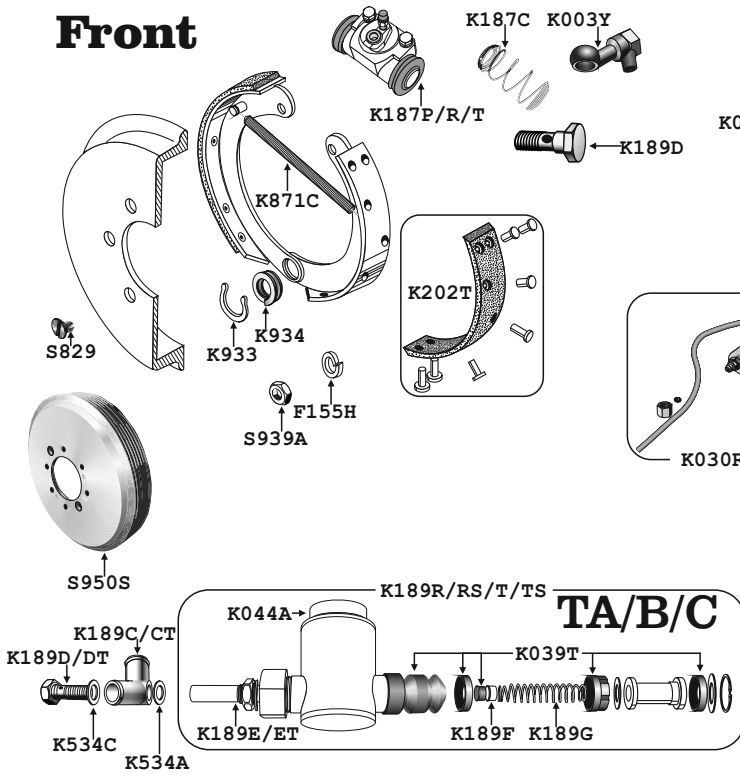


B244F	Bolt-gearbox to clutch housing	8	E058	Rollers-1st motion shaft (18)	1	E123	Ball-operating shaft	1
B594B	Stud - medium	3	E059	Oil seal	1	E124	Key-operating shaft	2
D564	Cup washer-mount pin	1	E060	Reverse gear	1	E125	Bolt-operating shaft	2
E001	Bearer bracket	1	E061	Shaft-reverse gear	1	E126	Gear lever	1
E003A	Fork end assembly	1	E062	Plug	1	E126Y	Gear lever	1
E005	Clevis pin	1	E063	Dowel bolt	1	E127	Knob-gear lever	1
E007	Casing	1	E064	Selector-3rd & 4th	1	E127B	Knob-leather with 'MG'	1
E008	Stud	6	E065KT	Lock bolts-s/shaft (set 8)	1	E128	Cover-spring	1
E010	Stud-long	1	E066	Fork 3rd & 4th	1	E129	Spring-anti-rattle	1
E011	Stud-short	2	E068	Distance tube	1	E130	Circlip-anti-rattle spring	1
E012	Drain plug	1	E069	Shaft-selector 3rd & 4th early	1	E131	Support cover-late TD/TF	1
E013	Washer-filler/drain plug	2	E069A	Shaft-selector 3rd & 4th late	1	E132	Bolt-cover	2
E014	Oil dipstick	1	E070	Fork-1st & 2nd	1	E134	Nut-gear lever	1
E015	Mainshaft	1	E072	Selector-1st & 2nd gear	1	E135	Dowel pin-gear lever	1
E018	Guard washer-centre bearing	1	E074	Selector shaft 1st & 2nd	1	E137	Circlip-selector shaft	1
E019	Plate-centre bearing	1	E075	Stop-1st & 2nd	1	E138	Key-mainshaft/speedo gear	1
E020	Spring plate	1	E077	Reverse gear selector	1	E139	Cover-gearbox dipswitch	1
E021	Striking dog-3rd/4th gear	1	E078	Plunger - reverse gear selector	1	E140	Wing nut-gearbox cover	1
*E022	Sliding hub-3rd/4th gear (used)	1	E079	Spring-reverse plunger	1	F104S	Nut - fork end assembly	1
E023A	Springs-sliding hub	6	E080	Ball-reverse selector	5	F705	Split pin-mount fork clevis	1
E024A	Balls-sliding hub+selector shaft	A/R	E081	Spring-reverse selector	1	G231	Gasket set-gearbox	1
E025	Third speed gear	1	E083	Shaft-reverse selector	1	G952	Gasket-rear casing	1
E026	Rollers-2nd gear	28	E084	Steady-reverse shaft	1	G953	Bearing-front	1
E026	Rollers-3rd gear	32	E086	Selector-reverse fork-upper	1	G954	Bearing-centre	1
E027	Collar	1	E087	Fork-reverse selector-lower	1	G955	Bearing-rear	1
E028	Plunger-3rd gear	1	E088	Shaft-reverse gear	1	G956	Oil seal (felt)	1
E029	Spring-3rd gear	1	E089	Lock bolt-reverse	1	H363A	Knob-wood with 'MG'	1
E030	Second gear	1	E090	Link-reverse operating	1	J495	Gaiter-gear lever(black)	1
E032	Split washer-2nd gear	2	E091	Pivot bolt-reverse link	1	L533	Switch-reverse lamp (standard Y-Types-option TD/F)	1
E033	Collar-2nd gear	1	E096	Gearbox cover	1	R065	Mount rubbers (pair)	1
E034	Plunger-2nd gear	1	E097	Gasket-top plate	1	R079	Rubber bush-mount pin	1
E035	Spring-2nd gear	1	E098	Nut	6	R203A	Cover - gearbox - rubber	1
E036	Sliding hub 1st & 2nd	1	E099	Plug-oil filler	1			
E037	First gear	1	E101	Rear gearbox case	1			
E038A	Springs-1st hub	6	E104	Guard	1			
E040	Circlip-centre bearing	1	E106	Plug	1			
E041	Distance piece	1	E107	Speedo gear	1			
E042	Layshaft	1	E108	Speedo pinion	1			
E043	Laygear cluster	1	E109	Housing-speedo pinion	1			
E044	Rollers (set 28)-layshaft	1	E109S	Housing-speedo pin. incl oil seal	1			
E045	Spacer-layshaft	1	E110	Screw-pinion housing	2			
E046	Washer-layshaft	2	E111	Flange-rear	1			
E047	Thrust washer-front	1	E112	Washer-rear flange	1			
E048	Thrust washer-rear	1	E113	Nut-rear flange	1			
E049	Bearing plate-front	1	E114	Remote control assembly	1			
E050	Bearing plate-rear	1	E115	Gasket-gear lever housing	1			
E051	Bolt-layshaft	1	E116	Bolt-gear lever housing	4			
E052	First motion shaft	1	E117	Plunger-operating shaft	1			
E055	Guard-1st motion shaft	1	E118	Cap-operating shaft	1			
E056	Locknut-1st motion shaft	1	E119	Spring-compression	1			
E057	Lockwasher-1st motion shaft	1	E120	Shaft-operating	1			
			E121	Selector lever (front)	1			
			E122	Selector lever (rear)	1			

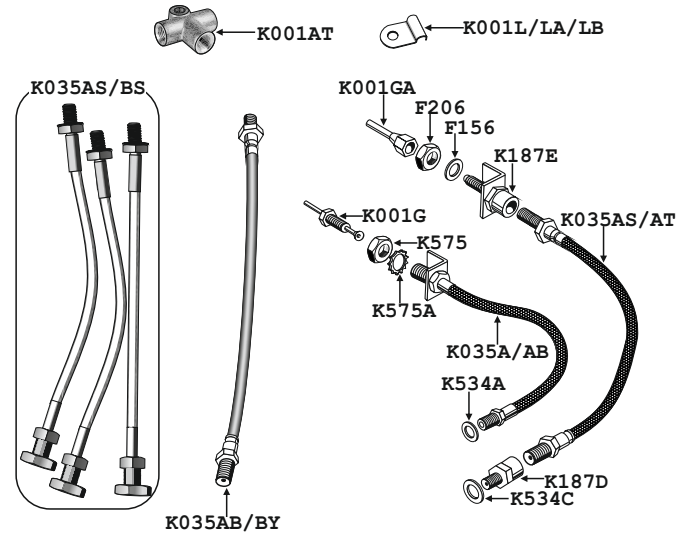
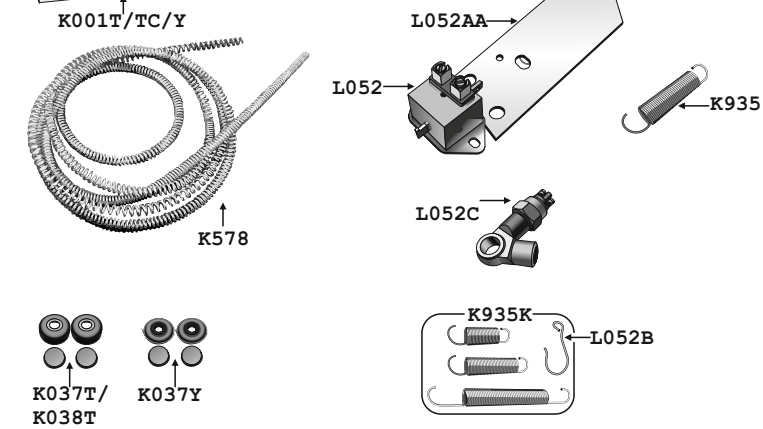
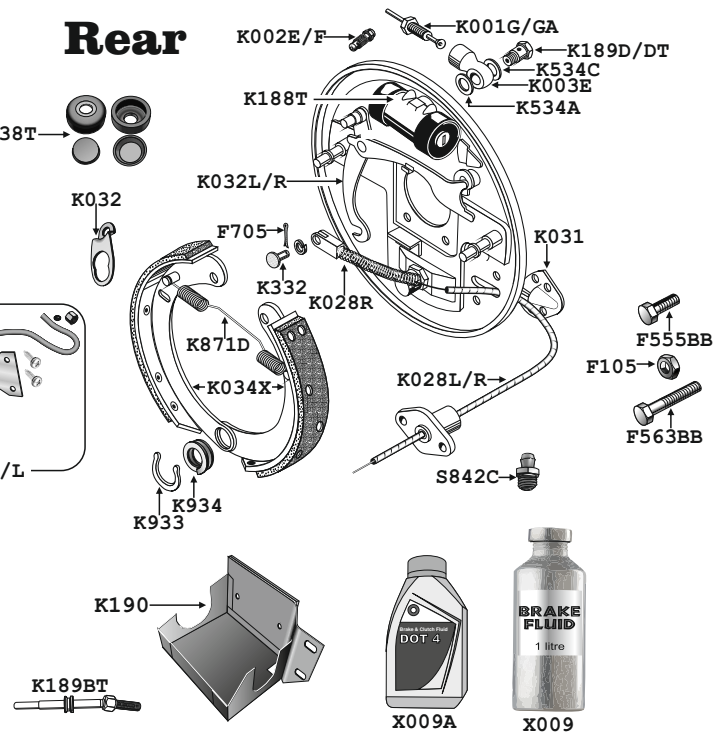
*Sold as assembly with E021,E023A & E024A



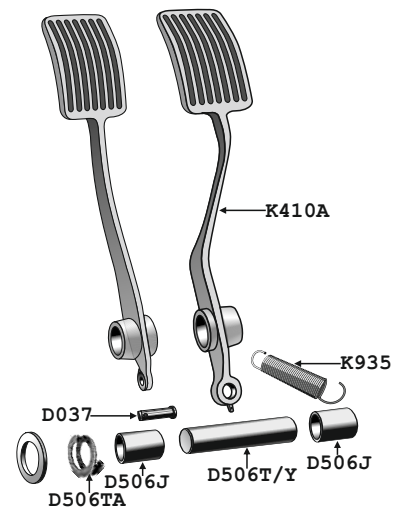
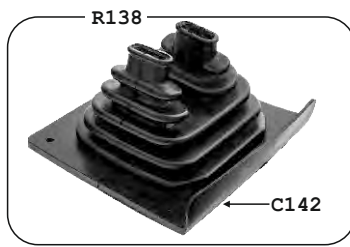
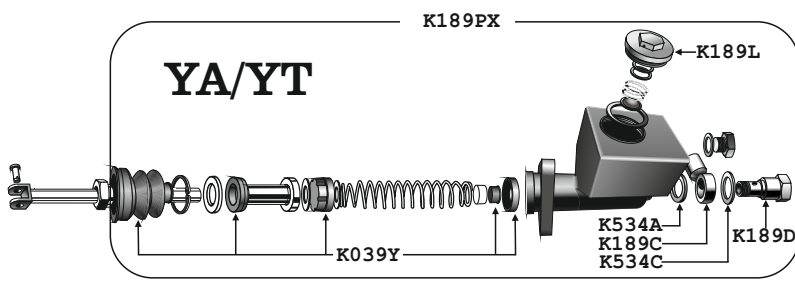
Front



Rear



YA/YT





Brakes TA-TB-TC-YA-YT



		TA	TC	YA	YT
C142					
C372	Wing nut-handbrake +TB	1	1	0	0
D506J	Bush-brake + clutch pedals	2	2	1	1
D506T	Shaft-brake + clutch pedal	1	1	0	0
D506TA	Spring washer - pedal shaft + TB	1	1	0	0
D506Y	Shaft-pedals	0	0	1	1
F105	Nut - back plate to stub axle	8	8	8	8
F155H	Spring washer	2	4	2	4
F156	Washer-adapter br hose-chas+TB	2	0	0	0
F206	Nut-adapter br hose-chas+TB	2	0	0	0
F555BB	Bolt - back plate to stub axle	4	4	4	4
F563BB	Bolt - back plate to stub axle	4	4	4	4
F705	Split pin-hand brake cable	2	2	0	0
K001AT	Union-3 way	2	2	2	2
K001G	Tube nut - 7/16" BSF	--	A/R	--	--
K001GA	Tube nut(female) 7/16" UNF TA/B	--	AR	--	--
K001GB	Tube nut 7/16" x 24 TPI	1	0	0	0
K001L	Half clip-brake pipe - 6mm	--	A/R	--	--
K001LA	Half clip-brake pipe - 8mm	--	A/R	--	--
K001LB	Half clip-brake pipe - 10mm	--	A/R	--	--
K001T	Brake pipe set +TB	1	0	0	0
K001TC	Brake pipe set	0	1	0	0
K001Y	Brake pipe set	0	0	1	1
K002E	Bleed screw 7/16" (T front-Y rear)	2	2	2	2
K020F	Bleed screw 5/16" BSF +TB	2	2	2	2
K003E	Banjo connector-rear wheel cylidr	2	2	2	2
K003Y	Angle banjo-front wheel cylinder	0	2	2	2
K026	Chrome sleeve kit-handbrake+TB	1	1	0	0
K028L	Handbrake cable LH	0	0	1	1
K028R	Handbrake cable RH	0	0	1	1
K029A	Hand grip-hand brake	0	0	1	1
K029B	Knob-hand brake lever	0	0	1	1
K029C	Spring + washer set-hand brake	0	0	1	1
K029F	Brass stop-brake cable	0	0	1	1
K030A	Chrome knob-hand brake	1	1	0	0
K030B	Spring-hand brake	1	1	0	0
K030DA	Ratchet-hand brake lever+pawl	1	1	0	0
K030DB	Hand brake pawl +TB	1	1	0	0
K030DC	Bolt - stepped h/brake pawl + TB	1	1	0	0
K030DD	Fixing set - h/brake ratchet +TB	1	1	0	0
K030E	Stop-hand brake	1	1	0	0
K030F	Rubber buffer-hand brake	1	1	0	0
K030G	Adjuster rod-hand brake	1	1	0	0
K030GA	Clevis pin-h/br actuating rod + TB	1	1	0	0
K030K	Actuating lever-hand brake	1	1	0	0
K030L	Lube ass L/H brake cable + TB	1	1	0	0
K030R	Lube ass R/H brake cable + TB	1	1	0	0
K031	Bracket set-back plate	2	2	2	2
K032	Bracket - brake shoe	2	2	2	2
K032L	Expander-hand brake L/H	1	1	1	1
K032R	Expander-hand brake R/H	1	1	1	1
K033	Anchor post-outer h/brake cable	2	2	0	0
K033A	Clevis pin - h/b cable to chassis	2	2	0	0
K033B	Plate + bearing-cross shaft	2	2	0	0
K034X	Brake shoe-axle set-exchange	2	2	2	2
K034Z	Brake shoe set (4)	2	2	2	2
K035A	Brake hose-front	0	2	2	2
K035AB	Brake hose - rear TC	0	1	0	0
K035AS	Brake hose-set 3 braid stainless	1	0	0	0
K035AT	Brake hose-front + rear	3	0	0	0
K035BS	Brake hose-set 3 braid stainless	0	1	0	0
K035BY	Brake hose-rear	0	0	1	1
K037Y	Repair kit-front wheel cylinder	0	0	2	2
K037T	Repair kit-front wheel cylinder	2	2	0	0
K037T	Repair kit-rear wheel cylinder	0	0	2	2
K038T	Repair kit-rear wheel cylinder	2	2	0	0
K039T	Repair kit-master cylinder	1	1	0	0
K039Y	Repair kit-master cylinder	0	0	1	1
K044A	Cap-master cylinder (metal)	1	1	0	0

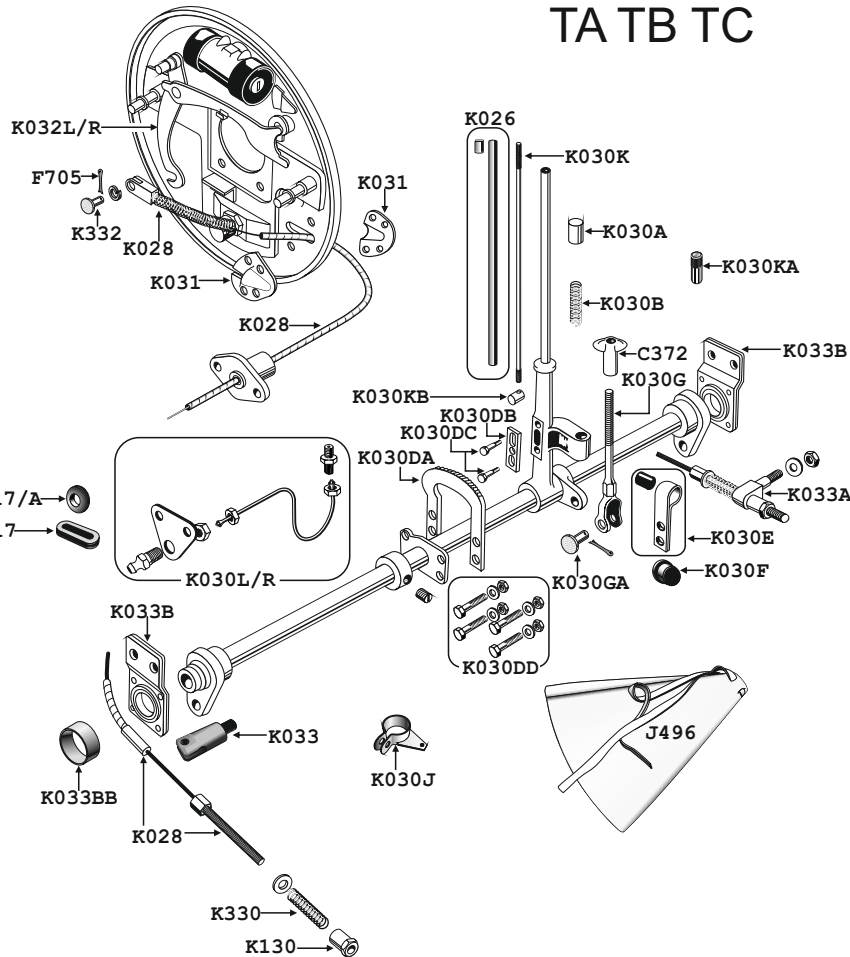
		TA	TC	YA	YT
K130	Nut-hand brake cable	2	2	2	2
K187C	Expander-front wheel cylinder	2	2	0	0
K187D	Adapter-front wheel cylinder	2	0	0	0
K187E	Adapter brake hose-chassis +TB	2	0	0	0
K187P	Wheel cylinder-front	0	0	2	2
K187R	Wheel cylinder-front	0	2	0	2
K187R	Wheel cylinder-rear	0	0	2	2
K187T	Wheel cylinder-front	2	0	0	0
K188T	Wheel cylinder-rear	2	2	0	0
K189BT	Push rod-master cylinder	1	1	0	0
K189C	Banjo union-rear of master cyl	0	1	1	1
K189CT	Banjo union-rear of master cyl	1	0	0	0
K189D	Banjo bolt-master + wheel cyl	0	5	3	3
K189DT	Banjo bolt-rear of master cyl	1	0	0	0
K189E	Rear extension-master cylinder	0	1	0	0
K189ET	Rear extension-master cylinder	1	1	0	0
K189F	Valve-master cylinder	1	1	0	0
K189G	Spring-master cylinder	1	1	0	0
K189L	Filler plug-master cylinder	0	0	1	1
K189PX	Master cylinder-exchange	0	0	1	1
K189R	Master cylinder	0	1	0	0
K189RS	Master cylinder-stainless steel	0	1	0	0
K189T	Master cylinder +TB	1	0	0	0
K189TS	Master cyl-stainless steel+TB	1	0	0	0
K189Y	Master cylinder with remote tank	0	0	1	1
K190	Heat shield-master cylinder	1	1	0	0
K202T	Brake linings + rivets (axle set)	2	2	2	2
K330	Spring-hand brake cable	2	2	2	2
K332	Clevis pin-hand brake cable	2	2	2	2
K410A	Brake pedal	1	1	1	0
K534A	Copper washer-brake union-med	--	A/R	--	--
K534C	Copper washer-brake union-large	--	A/R	--	--
K575	Nut-brake hose	3	3	3	3
K575A	Shakeproof washer	--	A/R	--	--
K576A	Balance bar-hand brake cable	0	0	1	1
K578	Protection coil-brake pipe	1	1	0	0
K871C	Pull-off spring-front	2	2	2	2
K871D	Pull-off spring-rear	2	2	2	2
K933	Horseshoe clip-brake shoe	4	4	4	4
K934	Double spring washer-brake shoe	4	4	4	4
K935	Spring-brake pedal	0	0	1	1
K935K	Spring+hook set-pedals 4pcs +TB	1	1	0	0
L052	Switch-stop light	1	1	0	0
L052A	Spring-stop light	1	1	0	0
L052AA	Bracket - stop light switch + TB	1	1	0	0
L052B	Clip-stop light	1	1	0	0
L052C	Switch-stop light-hydraulic con.	0	0	1	1
R066	Pedal pad rubber-brake + clutch	0	0	2	2
R066T	Pedal pad rubber-brake + clutch	2	2	0	0
R138	Draught excluder-pedals	1	1	0	0
R917	Oval grommet-h/b cable to brckt	2	2	0	0
R917A	Round grommet-h/b cable to chas	2	2	0	0
S829	Screw-brake drum to hub	--	A/R	--	--
S939A	Nut-brake drum to hub	24	24	24	0
S842C	Grease nipple 5/16" BSF straight	--	A/R	--	--
S950A	Brake drum-cast	4	4	0	0
S950B	Brake drum-steel	4	4	0	0
S950S	Brake drum - finned +TB	4	4	0	0
S950Y	Brake drum	0	0	4	4
X009	* Silicone brake fluid (litre)	--	A/R	--	--
	* Preserves & lubricate all moving parts, does not absorb moisture and is harmless to paintwork				
X009A	DOT 4 brake fluid 500ml				



Handbrake

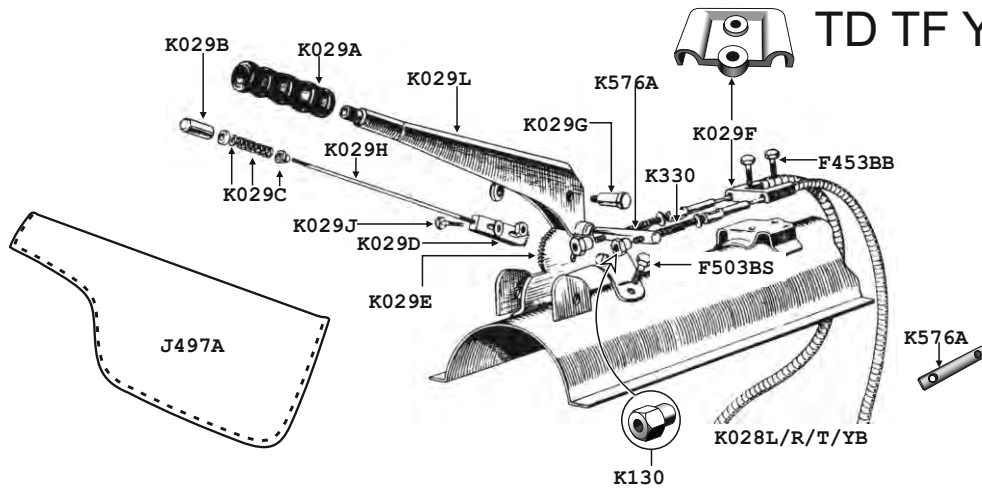


		TA	TB	TC
C372	Wing nut - handbrake	1	1	1
F705	Split pin - stainless - 3/32" x 3/4"	2	2	2
J496	Gaiter	1	1	1
K026	Chrome sleeve kit-handbrake	1	1	1
K028	Hand brake cable	2	2	2
K030A	Chrome knob-hand brake	1	1	1
K030B	Spring-hand brake	1	1	1
K030DA	Ratchet-hand brake lever	1	1	1
K030DB	Hand brake pawl	1	1	1
K030DC	Bolt - stepped h/brake pawl	2	2	2
K030DD	Fixing set - h/brake ratchet (set 4)	1	1	1
K030E	Stop-hand brake	1	1	1
K030F	Rubber buffer-hand brake	1	1	1
K030G	Adjuster rod-hand brake	1	1	1
K030GA	Clevis pin-h/br actuating rod	1	1	1
K030J	Spring clamp - handbrake shaft	2	2	2
K030K	Actuating lever-hand brake	1	1	1
K030KA	Spigot-hand brake top	1	1	1
K030KB	Stud - handbrake pawl	1	1	1
K030L	Lube ass L/H brake cable	1	1	1
K030R	Lube ass R/H brake cable	1	1	1
K031	Bracket set - backplate	2	2	2
K032L	Expander - handbrake L/H	1	1	1
K032R	Expander - handbrake R/H	1	1	1
K033	Anchor post-outer h/brake cable	2	2	2
K033A	Clevis pin - h/b cable to chassis	2	2	2
K033B	Plate + bearing-cross shaft	2	2	2
K033BB	Bronze bearing - h/b shaft	2	2	2
K130	Nut-hand brake cable	2	2	2
K330	Spring-hand brake cable	2	2	2
K332	Clevis pin-hand brake cable	2	2	2
R917	Grommet for cable to chassis	2	2	2
R917A	Oval grommet - h/brake cable	2	2	2



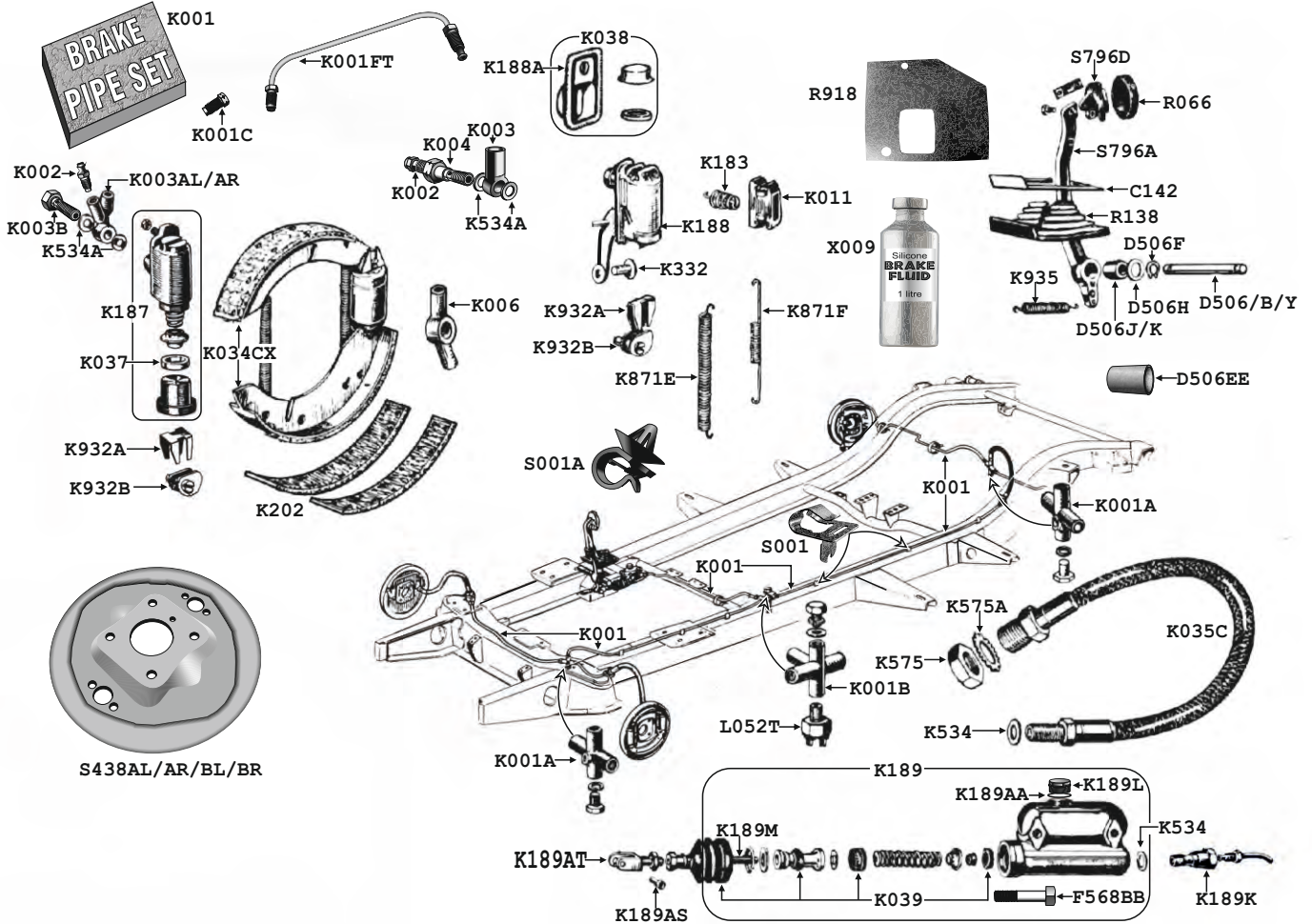
T A T B T C

T D T F Y A Y B Y T



		TD	TF	YA	YB	YT
F453BB	Bolt 1/4" BSF x3/4"	2	2	2	2	2
F503BS	Set screw 5/16" BSF x 3/4"	2	2	2	2	2
J497A	Gaiter -handbrake black leather	1	1	1	1	1
K028L	Handbrake cable LH	0	0	1	0	1
K028R	Handbrake cable RH	0	0	1	0	1
K028T	Handbrake cable	2	2	0	0	0
K028YB	Handbrake cable	0	0	0	2	0
K029A	Hand grip-hand brake	1	1	1	1	1
K029B	Knob-hand brake lever	1	1	1	1	1
K029C	Spring + washer set-hand brake	1	1	1	1	1

		TD	TF	YA	YB	YT
K029D	Pawl - handbrake	1	1	0	0	0
K029E	Ratchet - handbrake	1	1	0	0	0
K029F	Brass stop-brake cable	1	1	1	1	1
K029G	Rivet+washer pivot handbrake	1	1	1	1	1
K029H	Operating rod handbrake	1	1	0	0	0
K029J	Bolt- handbrake pawl guide	2	2	0	0	0
K029L	Lever - handbrake (bare)	1	1	0	0	0
K130	Nut - handbrake cable	2	2	2	2	2
K300T	Handbrake assembly	1	1	0	0	0
K300Y	Handbrake assembly	0	0	1	1	1
K330	Spring - handbrake cable	1	1	1	1	1
K576A	Balance bar - handbrake cable	1	1	1	1	1

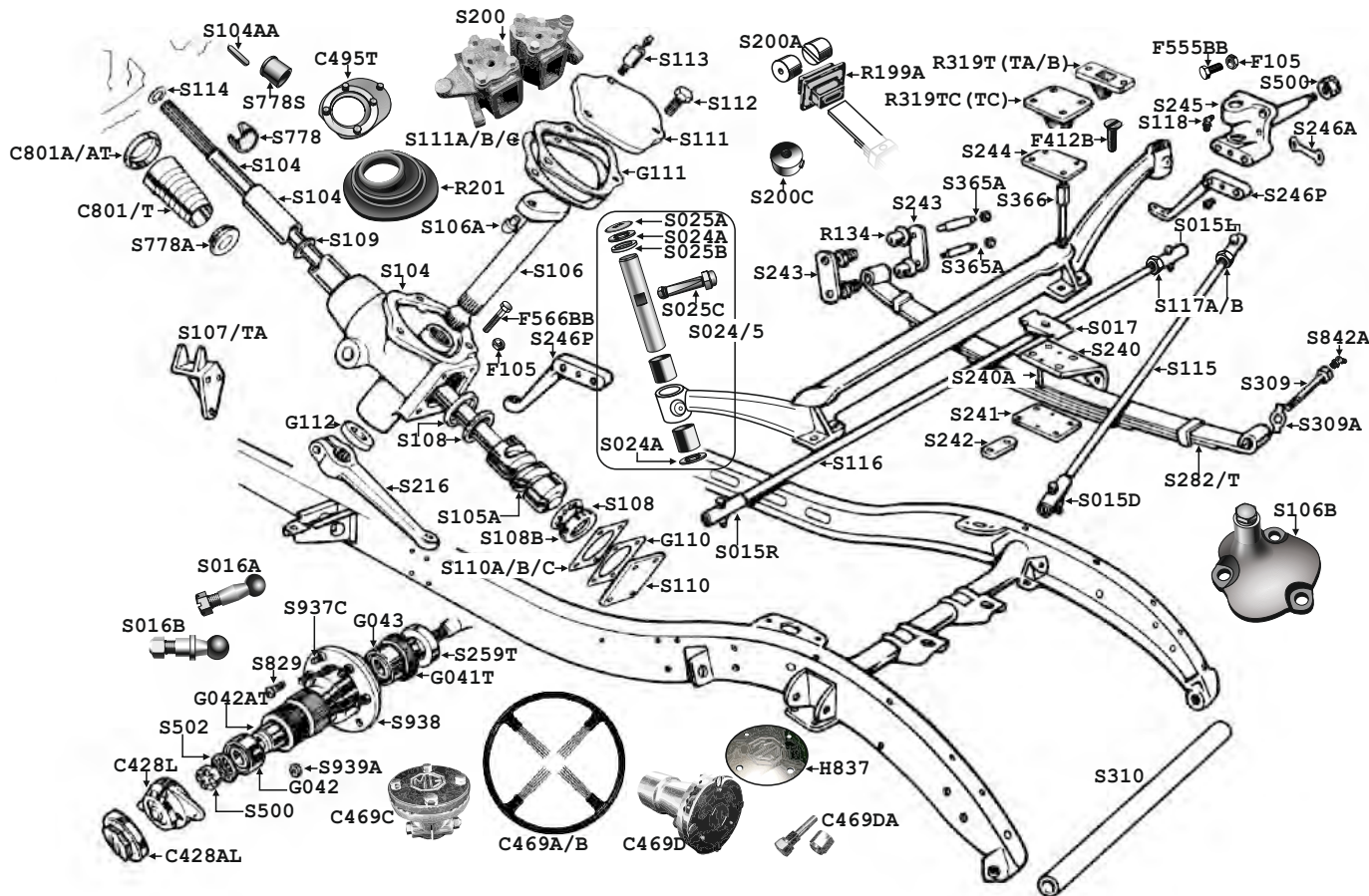


		TD	TF	YB
C142	Plate-draught excluder	1	1	0
D506	Shaft-brake + clutch pedals RHD	1	1	0
D506B	Shaft-brake + clutch pedals LHD	1	1	0
D506C	Bush set-chassis/shaft LHD	1	1	0
D506E	Tube-chassis/pedal shaft	1	1	0
D506EE	Bush - chassis - pedal shaft	2	2	0
D506F	Circlip-pedal shaft	1	1	1
D506H	Thrust washer-pedal shaft	1	1	0
D506J	Bush-clutch pedal	0	0	1
D506K	Bush-brake + clutch pedals	2	2	0
D506L	Bush-clutch pedal	0	0	1
D506Y	Shaft-pedals (incl grease channel)	0	0	1
F453BB	Bolt-brake cable stop	2	2	0
F503BS	Set screw-hand brake ratchet	2	2	0
F568BB	Bolt-master cylinder fixing	2	2	2
K001	Brake pipe set-metal	1	1	0
K001A	Union-3 way	1	1	1
K001B	Union-4 way	1	1	0
K001C	Tube nut-brake pipe BSF	12	12	12
K001FT	Bridge pipe-front wheel cylinders	2	2	2
K001YB	Brake pipe set-metal	0	0	1
K002	Bleed screw BSF	-	A/R	-
K003	Banjo connector-single	4	4	4
K003AL	Banjo-2 way LH	1	1	1
K003AR	Banjo-2 way RH	1	1	1
K003B	Union bolt-wheel cylinder	2	2	2
K004	Brake union-straight	4	4	4
K006	Banjo union-straight BSF	0	0	2
K011	Bracket-rear brake shoe	2	2	2
K034CX	Brake shoe-(axle set) exchange	2	2	2
K035C	Brake hose-front + rear	3	3	3
K035CS	Brake hose (set 3) stainless steel	1	1	1
K037	Repair cup-front wheel cylinder	4	4	4
K038	Repair kit-rear wheel cylinder (includes cover no. K188A)	2	2	2
K039	Repair kit-master cylinder	1	1	1
K183	Anti-rattle spring-rear brake shoes	4	4	4
K187	Wheel cylinder-front	4	4	4
K188	Wheel cylinder-rear	2	2	2
K188A	Gaiter-rear wheel cylinder	2	2	2

		TD	TF	YB
K189	Master cylinder	1	1	1
K189AA	Washer-master cylinder cap	1	1	1
K189AS	Clevis pin-master cylinder+clutch	1	1	1
K189AT	Fork end-master cylinder pushrod	1	1	1
K189K	Adaptor-master cylinder-rear	1	1	1
K189L	Filler plug-master cylinder	1	1	1
K189M	Pushrod-master cylinder	1	1	1
K202	Brake linings + rivets (axle set)	2	2	2
K534	Copper washer-brake union-small	-	A/R	-
K534A	Copper washer-brake union-med	-	A/R	-
K534C	Copper washer-brake union-large	-	A/R	-
K575	Nut-brake hose	3	3	3
K575A	Shake proof washer	3	3	3
K871E	Pull off spring-large	6	6	6
K871F	Pull off spring-small	2	2	2
K932A	Mask-brake shoe adjuster	6	6	6
K932B	Adjuster-brake shoe	6	6	6
K935	Return spring-brake pedal	1	1	1
L052T	Switch-stop light	1	1	0
L052D	Hydraulic stop light conversion	0	0	1
R066	Pedal pad.(clutch + brake)	2	2	2
R138	Draught excluder	1	1	0
R918	Seal pad-pedal box	1	1	1
S001	Clip-brake + fuel pipe	-	A/R	-
S001A	Clip-brake-chassis - plastic (replacement for S001)	18	18	18
S438AL	Backplate - front brake LH	1	1	1
S438AR	Backplate - front brake RH	1	1	1
S438BL	Backplate - front brake LH	1	1	1
S438BR	Backplate - front brake RH	1	1	1
S796A	Pedal - RHD	1	1	0
S796AL	Pedal - LHD	1	1	0
S796D	Pedal pad retainer-alloy	2	2	2
X009	Silicone brake fluid (litre)	-	A/R	-

Preserves and lubricates all moving parts.
Does not absorb moisture and is harmless to paintwork.

Disc Brake Conversion - see colour section



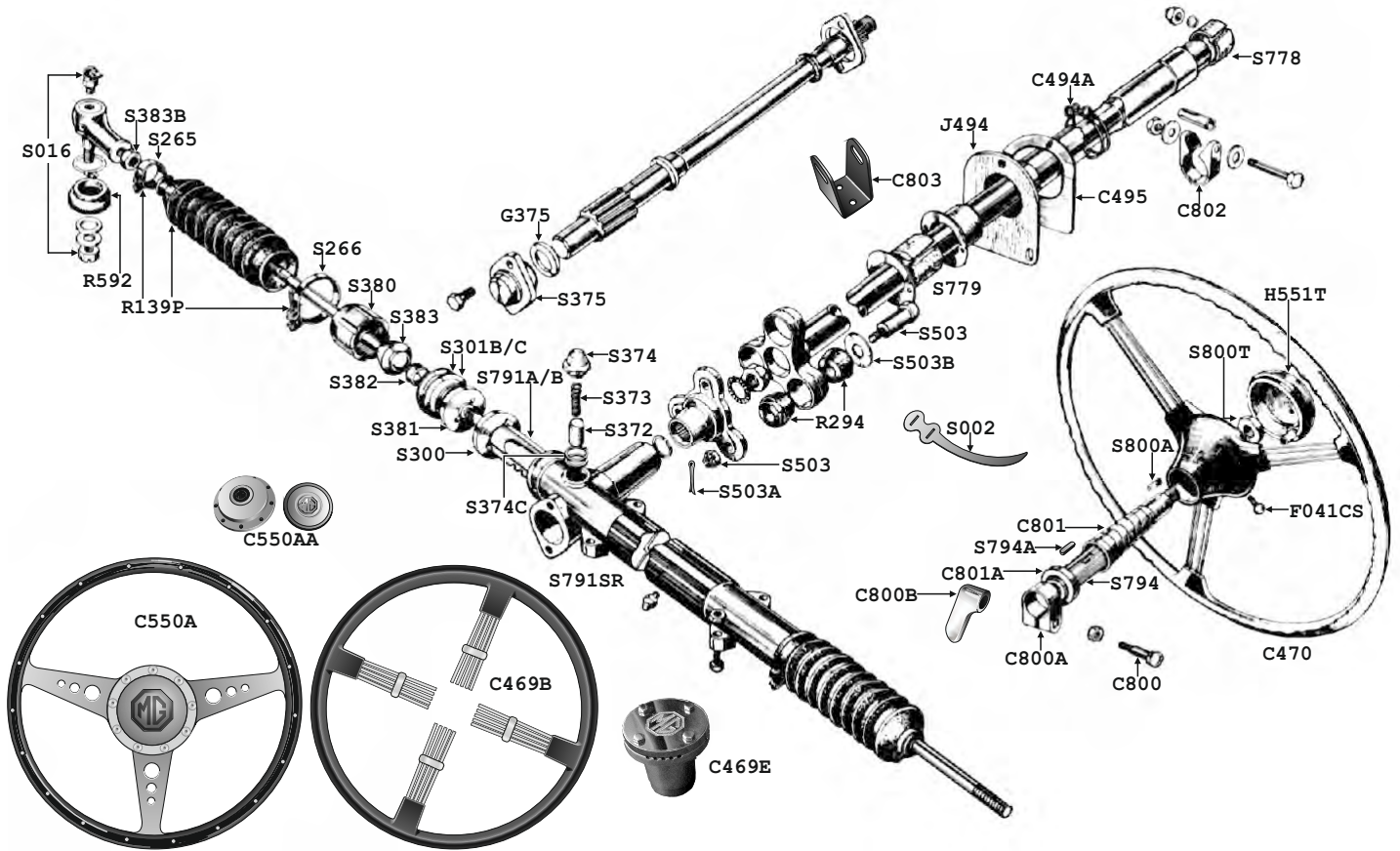
		TA	TC
C428AL	Oct nut 'continental' LH	2	2
C428AR	Oct nut 'continental' RH	2	2
C428L	'Knock off' nut LH	2	2
C428R	'Knock off' nut RH	2	2
C469A	Strng wheel - Brooklands 17"	1	1
C469B	Strng wheel - Brooklands 15"	1	1
C469C	Boss - Brklands strng wheel	1	0
C469D	Boss - Brklands strng wheel	0	1
C469DA	Clamp bolt-adjust strng wheel	1	1
C472	Steering wheel-std type	1	1
C495T	Plate with nuts - steer/column	0	1
C801T	Spring sleeve-steer/column	1	1
C801AT	Cap-spring sleeve	1	1
C803T	Bracket - steering column	1	1
F105	Nut - steering arms	4	4
F105	Nut - stub axle	4	4
F412B	Screw 1/4" x 1/2" BSF c/s slotted A/R		
F555BB	Bolt - stub axle	4	4
F566BB	Bolt - steering arms	4	4
G041T	Oil seal-front hub	2	2
G042	Bearing-front hub-outer	2	2
G042AT	Spacer-front wheel brgs	2	2
G043T	Bearing-front hub-inner	2	2
G110	Gasket-steer/box end plate	1	1
G111	Gasket-steer/box top plate	1	1
G112	Oil seal-steering box	1	1
H837	'MG' centre-'brooklands'	0	1
H837TA	'MG' centre-'brooklands'	1	0
R134	Bush-shackle (8 frt + 4 rear) 0	12	
R199A	Gaiter-frt spring trunnion	2	0
R201	Draft excluder - steering col	1	1
R319T	Bump stop-frt axle to chass	2	0
R319TC	Bump stop-frt axle to chass	0	2
S015	Track rod end set +TB	1	1
S015D	Drag link end-RH **	1	1
S015DD	Drag link end set-LH+RH+TB	1	1
S015L	Track rod/drag link end-LH **	2	2
S015R	Track rod end-RH **	1	1
S016A	Ball - taprd drg link to drp arm	1	1
S016B	Ball - tie rod (parallel)	3	3
S017	Taper plates-frt axle (pair)	0	1
S024	King pin set-flanged bush	1	0

(TA to chassis 1501)

** including ball

		TA	TC
S024A	Thrust washer-king pin	2	2
S024B	Top hat bush-king pin	2	0
(TA to chassis 1501)			
S024P	King pin only	2	2
S025	King pin set-plain bush	1	1
(TA from chassis 1501 + TB/C)			
S025A	Cap-king pin top	2	2
S025B	Felt-king pin top	2	2
S025C	Cotter-king pin top	2	2
S025D	Bolt-king pin top	2	2
S025E	Plain bush-king pin	0	2
S103	Steering box conversion kit	1	1
103A	Strng box conv-new-keyway	1	0
S103AA	As above - XPAG engine only	1	0
S104	Steering box recon service	0	1
S104AA	Key - steering wheel to shaft	1	0
S104TA	Steering box recon service	1	0
S105A	Worm gear	1	1
S106	Sector shaft with peg	1	1
S106A	Peg only-sector shaft	1	1
S106B	Control adapter - steering box	1	1
S107	Bracket-steering box	0	1
S107TA	Bracket-steering box	1	0
S108	Bearing set-steering worm	2	2
S109	Rubber (anti-rattle)	1	1
S110	End plate	1	1
S110A	Shim-end cover 0025	A/R	
S110B	Shim-end cover 005	A/R	
S110C	Shim-end cover 010	A/R	
S111	Top plate	1	1
S111A	Shim-top plate 0025	A/R	
S111B	Shim-top plate 005	A/R	
S111C	Shim-top plate 010	A/R	
S111S	Adjuster top-steering box	1	1
S112	Bolt-cover plate	6	6
S113	Lubricator assembly	1	1
S114	Circlip-steering column	1	1
S115	Drag link (less ends)	1	1
S116	Tie rod (less ends)	1	1
S117A	Lock nut-RH thread	2	2

		TA	TC
S117B	Lock nut-LH thread	2	2
S118	Grease nipple 1/4" BSF 45 Deg A/R		
S118A	Grease nipple 3/8" BSF 45 Deg A/R		
S216	Drop arm	1	1
S200	Trunnion bxs- rear of fr spring	1	1
S200A	Trunnion set-front spring+TB	2	0
S200B	Trunnion set - rear spring+TB	2	0
S200C	Spacer - trunnion	8	8
S240A	Stud - front shock bracket	4	4
S240L	Plate-front shock LH	1	1
S240R	Plate-front shock RH	2	2
S241	Plate-spring mount	2	2
S242	Reinforcement plate	4	4
S243	Front shackle	4	4
S244	Plate-buffer	2	0
S245L	Stub axle LH	1	1
S245R	Stub axle RH	1	1
S246A	Lock tab-steering arm	2	2
S246P	Steering arms (pair)	1	1
S259T	Washer - distance stub axle	2	2
S282	Front road spring	2	0
S282T	Front road spring	0	2
S309	Anchor pin-frt of frt spring	2	2
S309A	Lock washer for above	2	2
S310	Cross tube-chassis-front	1	1
S365A	Shackle pin-front spring	0	4
S366	Mount bolt assembly-frt axle	0	8
S366T	Mount bolt assembly-frt axle	8	0
S500TL	Nut-front hub LH	1	1
S500TR	Nut-front hub RH	1	1
S502	Washer-front hub	2	2
S778	Felt bush-steer column top	1	1
S778A	Centering washer-adj spring	1	1
S778S	Self lube bush-top of steer/col	1	1
S829	Screw-brake drum to hub	24	24
S842	Grease nipple 5/16" BSF	2	2
S937C	Stud-front hub	12	12
S937LT	Hub-rear LH	1	1
S937RT	Hub-rear RH	1	1
S938LT	Hub-front LH	1	1
S938RT	Hub-front RH	1	1
S939A	Nut-brake drum to hub	24	24

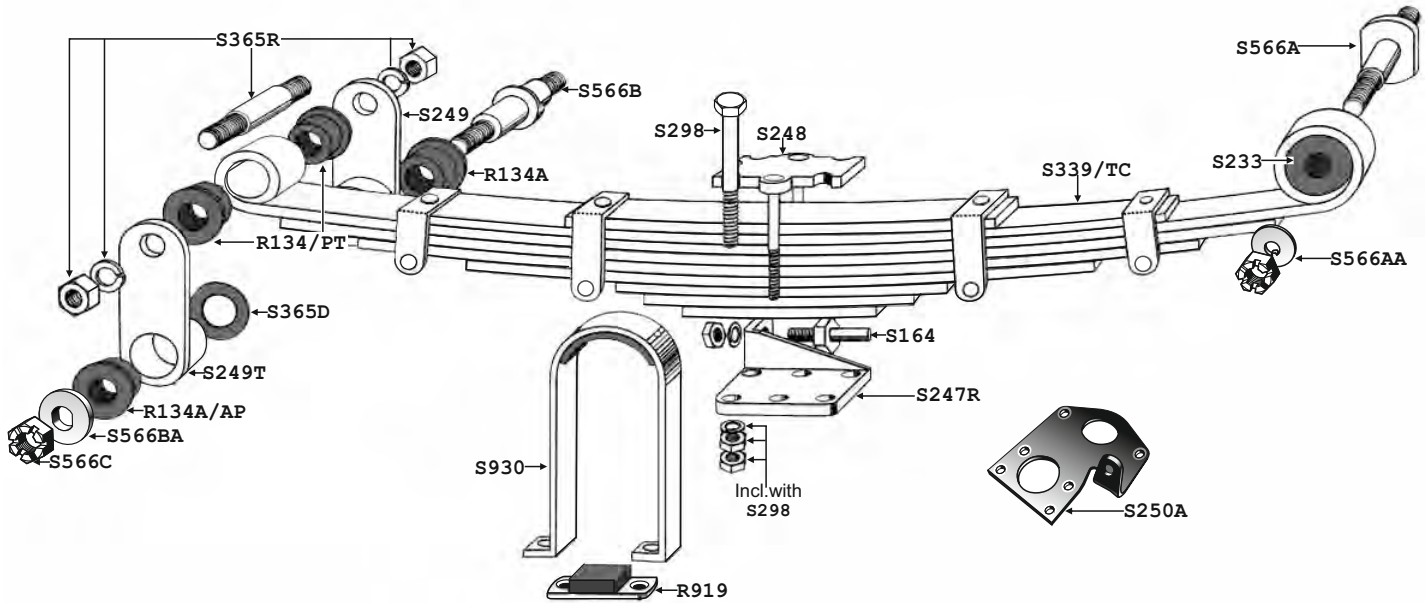


		TD	TF	YA	YB
C469B	Steering wheel Brooklands - 15"	1	1	0	0
C469E	Boss - Brooklands steering wheel	1	1	0	0
C470	Steering wheel-original (no boss)	1	1	0	1
C550A	Steering wheel-woodrim	1	1	0	0
C550AA	Centre boss-wood rim s/wheel	1	1	0	0
C494A	Clip-steering column draught excl	1	1	1	1
C495	Plate-draught excluder	1	1	1	1
C550AA	Centre boss-wood rimmed s/wheel	1	1	0	0
C800	Clamp bolt & nut-adjuster	1	1	1	1
C800A	Clamp-steering column top	1	1	1	1
C800B	Lever-steer column adjuster	0	0	0	1
C801	Spring sleeve-steering column	1	1	1	1
C801A	Cap-spring sleeve	1	1	1	1
C802	Clamp-steering column-lower	1	1	1	1
C803	Support bracket- strng col to body	0	1	0	0
F041CS	Screw-steering wheel centre boss	1	1	0	0
F705	Split pin-flange bolts (S503)	3	3	3	3
G375	Oil seal - pinion shaft	1	1	1	1
H551T	Centre boss assy-steering wheel	1	1	0	0
J494	Draught excluder-bulkhead (black)	1	1	1	1
R139P	Gaiter kit (2 gaiters + 4 clips)	1	1	1	1
R294	Bush-coupling-column flange	6	6	6	6
R592	Cover-track rod end	2	2	2	2
S002	Strap-wiring steering rack	--	A/R	--	--
S016	Track rod ends (pair)	1	1	1	1
S265	Large clip-gaiter	2	2	2	2
S266	Small clip-gaiter	2	2	2	2
S300	Lock washer-ball joint	2	2	2	2
S301B	Shim - steering rack seat 005"	1	1	1	1
S301C	Shim - steering rack seat 010"	1	1	1	1
S372	Pad-damper	1	1	1	1
S373	Spring-damper	1	1	1	1
S374	Cap-damper	1	1	1	1
S374C	Shim washer-rack damper 003"	--	A/R	--	--
S374D	Shim washer-rack damper 010"	--	A/R	--	--
S375	Thrust washer top & bottom	2	2	2	2
S380	Ball housing-tie rod end (female)	2	2	2	2
S381	Ball joint-tie rod end (male)	2	2	2	2

S382	Seat-ball joint	2	2	2	2
S383	Tie rod	2	2	2	2
S383B	Locknut-tie rod	2	2	2	2
S503	Flange bolt + nut	3	3	3	3
S503A	Castle nut-coupling	3	3	3	3
S503B	Washer for S503	3	3	3	3
S778	Felt bush-top	1	1	1	1
S779	Felt bush-bottom	1	1	1	1
S791A	Rack + pinion gear RHD	1	1	1	1
S791B	Rack + pinion gear LHD	1	1	1	1
S791K	Conversion kit LHD to RHD (dashboard not included)	1	1	0	0
S791X	Steering rack assy recon service	1	1	1	1
S794	Splined sliding shaft-steering col	1	1	1	1
S794A	Key - steering shaft	1	1	1	1
S800A	Key - steering wheel	1	1	1	1
S800T	Nut-steering wheel	1	1	1	1

PARTS FOR CONVERSION OF LH DRIVE TD/F TO RH DRIVE (not illustrated)

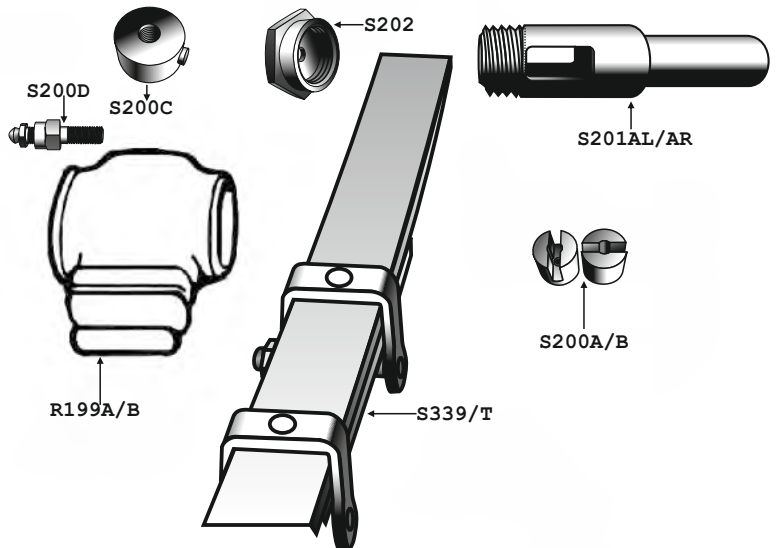
S791K	Conversion kit LHD to RHD (dashboard not included)	1	1		
A798	Throttle pedal assy RHD	1	1		
A798A	Return spring-throttle pedal	1	1		
D506	Shaft-clutch/brake pedal RHD	1	1		
D506E	Tube-pedals (in chassis)	2	2		
D506F	Circlip-pedal shaft	1	1		
D506K	Bush-brake + clutch pedal RHD	2	2		
S791SR	Steering rack RHD	1	1		
S796A	Brake pedal RHD	1	1		
S796B	Clutch pedal RHD	1	1		
S799	Pedal box-chassis	1	1		
T523A	Dashboard-uncovered RHD	1	0		
OR					
X107D	Dashboard - polished walnut veneered	1	0		



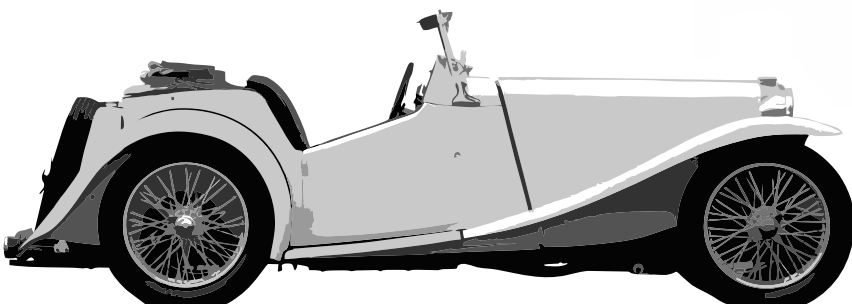
		TA/B	TC
S164	Pin+Nut+Washer-Shck Absrbr	2	2
S233	'Silentbloc' bush-rear spring	2	2
S247L	Plate-rear shock LH	1	1
S247R	Plate-rear shock RH	1	1
S248	Top plate-rear spring	2	2
S249T	Rear shackle	0	4
S250A	Mount-rear shk LH TC + RH TA	1	1
S250B	Mount-rear shk RH TC + LH TA	1	1
S298	Bolt + nut-rear axle/spring	8	8
S339	Rear road spring	2	0
S339TC	Rear road spring	0	2
S365D	Fibre washer-rear shackle	0	2
S365R	Shackle pin-rear spring	0	2

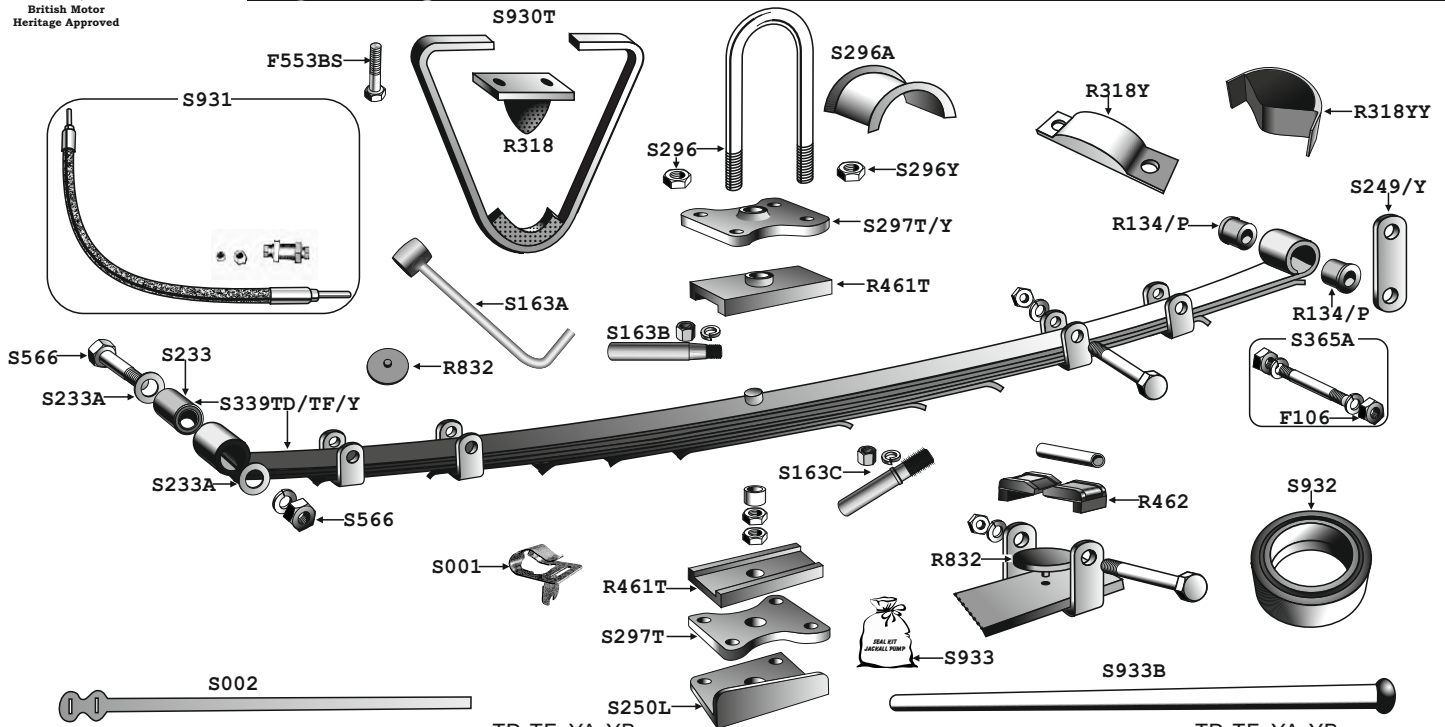
		TA/B	TC
S566A	Pivot-front of rear spring	2	2
S566AA	Spacer-pivot front of rear spring	1	1
S566B	Pivot-rear of rear spring	0	2
S566BA	Spacer-pivot rear of rear spring	1	1
S566C	Nut castellated-btm rear shackle	0	4
S930	Strap-rebound with rubber	2	2
R134	Bush-shackle (8 front 4 rear)	0	12
R134A	Bush-large for rear shackle	0	4
R134AP	Bush-rear shackle-large poly	0	4
R134PT	Bush-shackle-poly (8 fr 4 rear)	0	12
R919	Bump pad-rear axle to chassis	2	2

		TA/B	TC
R199A	Gaiter-front spring trunnion	2	0
R199B	Gaiter-rear spring trunnion	2	0
S200A	Trunnions-front (car set)	1	0
S200B	Trunnions-rear (car set)	1	0
S200C	Distance piece-trunnion	2	0
S200D	Greaser + nipple - rear trunnion	2	2
S201AL	Tube - trunnion housing LH	1	0
S201AR	Tube - trunnion housing RH	1	0
	(for damaged trunnion socket)		
S202	Nut-rear trunnion housing	2	0
S282	Road spring-front	2	0
S282T	Road spring-front	0	2
S339	Road spring-rear	2	0
S339T	Road spring-rear	0	2



TA/B rear spring arrangement (front is similar)





	TD	TF	YA	YB
F106 Nut-shackle pin	6	6	6	6
F553BS Set screw-bump stop	4	4	4	4
R134 Bush-rear shackle	8	8	8	8
R318 Bump stop-rear axle	2	2	0	0
R318Y Bump stop-rear axle +YT	0	0	2	2
R318YY Bump stop (on check strap)	0	0	2	2
R461T Saddle pad-rear spring	4	4	4	4
R462 Angle pad-spring clip	8	8	8	8
R832 Interleaf pad	24	24	24	24
S001 Clip-brake/fuel pipes to chassis	---	A/R	---	---
S001A Clip-plastic replcmnt for above	---	A/R	---	---
S002 Strap-wiring loom/brake pipe	---	A/R	---	---
S233 'Silentbloc' bush-rear spring	2	2	2	2
S233A Fibre washer-silentbloc bush	2	2	2	2
S249 Shackle plate-rear spring	4	4	0	4
S249Y Shackle plate-rear spring +YT	0	0	4	0

	TD	TF	YA	YB
S250L Bracket-spring to shock LH	1	1	0	0
S250R Bracket-spring to shock RH	1	1	0	0
S296 'U' Bolt + nuts-rear axle	4	4	0	4
S296A Buffer plate (optional)	2	2	2	2
S296Y 'U' Bolt + nuts-rear Axle +YT	0	0	4	0
S297T Saddle plate-rear axle+YT(set 4)	1	1	1	1
S339TD Rear road spring	2	0	0	0
S339TF Rear road spring	0	2	0	0
S339Y Rear road spring	0	0	2	2
S365A Shackle pin-rear spring	4	4	4	4
S566 Bolt + nut-rear spring	2	2	2	2
S930T Strap-rebound	2	2	0	0
S931 Jack hose-flexible (rear axle)+YT	0	0	1	1
S932 Jack seal-built in jack +YT	0	0	4	4
S933 Seal kit - jackall pump	0	0	1	1
S933B Handle-jackall pump +YT	0	0	1	1
S933X Jackall pump-recon exch +YT	0	0	1	1



	TA	TC
S155 Shock (replacement)-front (Pr)	1	1
S156 Shock (replacement)-rear(Pr)	1	1

	TA	TC	TD	TF	YA	YB
S163A Link-rear shock Girling (early)	0	0	2	0	0	0
S163B Pin assembly-shock link-top(tapered)	0	0	0	0	0	2
* S163C Pin-shock link 7/16" shank+thread	4	4	2	0	2	2
S163T Link-rear shock	0	2	2	2	0	0
S163Y Link-rear shock+YT	0	0	0	0	2	0
S163X Link-rear shock	0	0	0	0	0	2
S165XL Shock-rear LH +YT	0	0	0	0	1	0
S165XR Shock-rear RH+YT	0	0	0	0	1	0
S167XL Shock-rear LH	0	0	0	0	0	1
S167XR Shock-rear RH	0	0	0	0	0	1
S168XL Shock-rear Armstrong LH (late)	0	0	1	1	0	0
S168XR Shock-rear Armstrong RH (late)	0	0	1	1	0	0
S169XL Shock-rear Girling LH (early)	0	0	0	1	0	0
S169XR Shock-rear Girling RH (early)	0	0	0	1	0	0
F040 Screw for lid of TC/Y shcks 2BA x 1/2"	0	A/R	0	0	-A/R	-
F106 Nut-S164 pin (BSF orig)	4	4	2	2	2	4
F206 Nut-S164 pin (UNF)						
H780 Transfer-Girling	0	4	0	0	0	0
R320 Bush-shock link	8	8	4/0	0	4	0

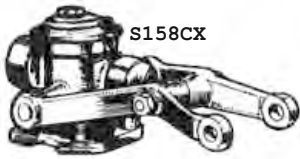
These units are very similar in appearance to original TC Type and are an excellent replacement for TA/B/C where no old units are available for exchange. Complete with arms and links, they will fit the original chassis mounting points.

	TA	TC	TD	TF	YA	YB
S154F Shock-front (pr)	1	0	0	0	0	0
S154R Shock-rear (pr)	1	0	0	0	0	0
S158AX Shock-front Girling (early)	0	0	2	0	0	2
S158BX Shock-front Armstrong (late)	0	0	2	2	0	0
S158CX Shock-front +YT	0	0	0	0	2	0
S158D Packing plate-front shock	2	2	0	0	0	0
S158K Conversion set-front repl	0	0	2	2	0	0
S158XL Shock + arm + link-front LH	0	1	0	0	0	0
S158XR Shock + arm + link-front RH	0	1	0	0	0	0
S162K Bolt kit-front or rear shock (4pc)	0	4	0	0	0	0
S162XL Shock + arm + link rear LH	0	1	0	0	0	0
S162XR Shock + arm + link rear RH	0	1	0	0	0	0

* Early TD - Girling shocks only



Suspension TD - TF - Y



S158CX

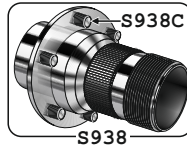


S158AX



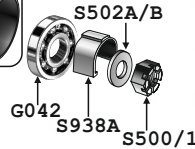
S158BX

S158AK/BK/CK



S938C

S938

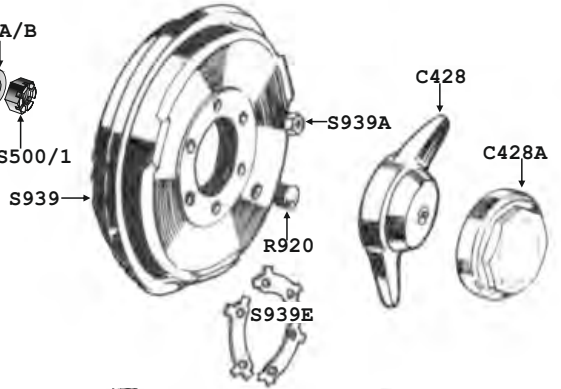


G042

S502A/B

S938A

S500/1



S939

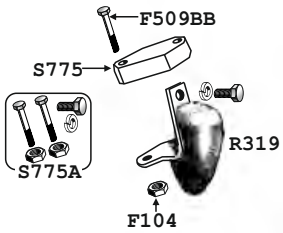
C428

C428A

R920

C088B

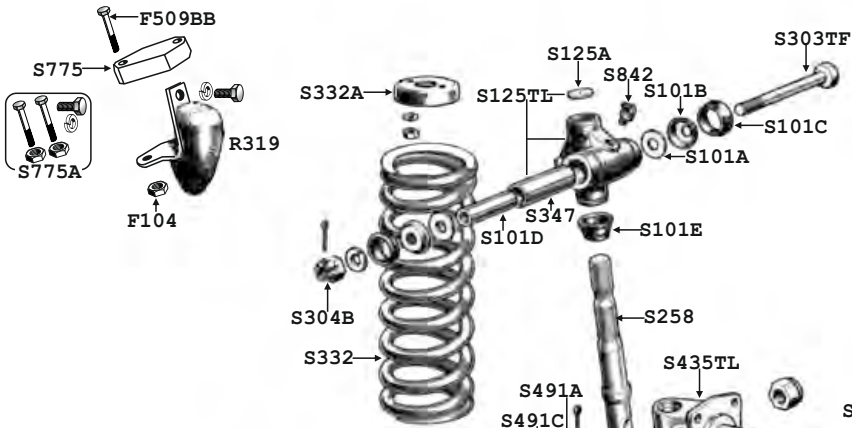
C088



S775

S775A

F104



S332A

S125TL

S125A

S842

S101B

S101C

S101A

S303TF

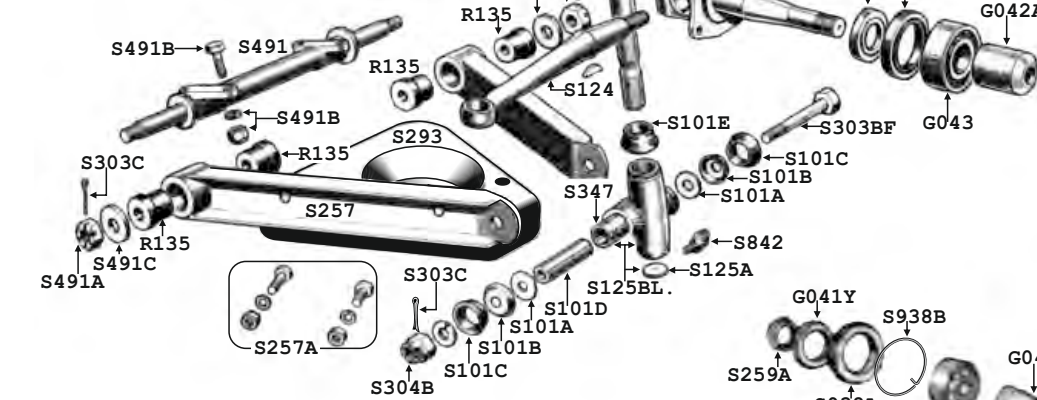
S347

S101D

S101E

S304B

S332



S491A

S491C

R135

S124

S101E

S303BF

S101C

S101B

S101A

S347

S842

S125A

S491B

S491

S293

S257

S303C

R135

S491A

S491C

S257A

S303C

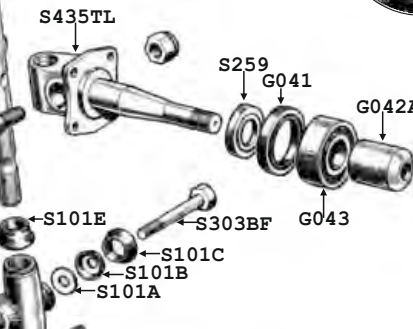
S101D

S101A

S101B

S101C

S304B



S258

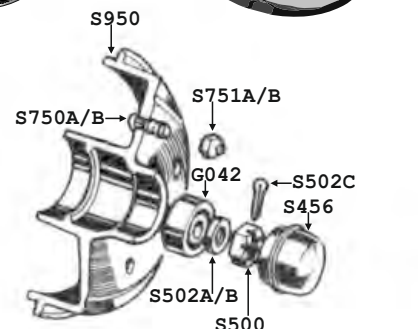
S435TL

S259

G041

G042A

G043



S950

S750A/B

S751A/B

G042

S502C

S456

S502A/B

S500



G041Y

S938B

G042A/AY

G043Y



S752A

G041G

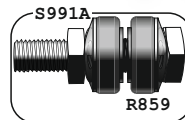
S501

G042

S456A



S991

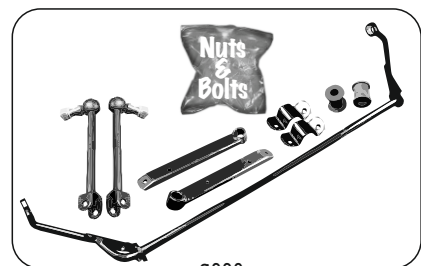


S991A

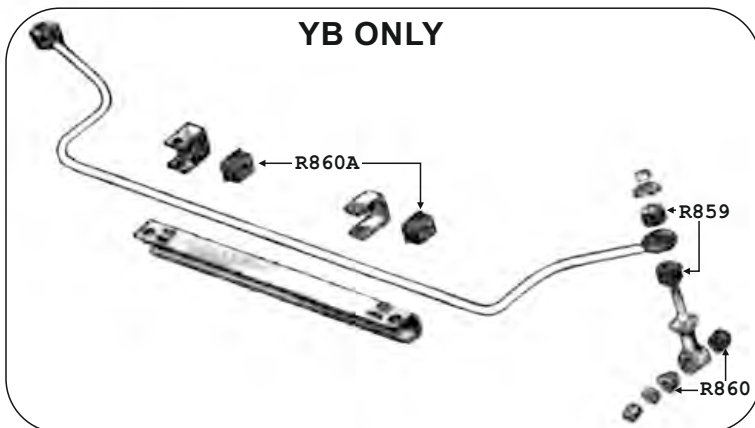
R859



R859P



S990



YB ONLY

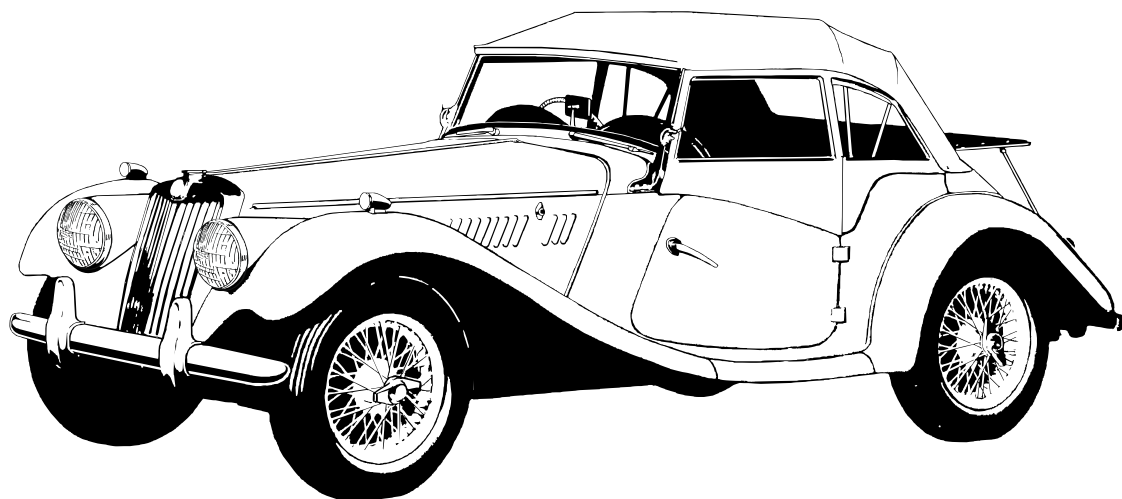
R860A

R859

R860

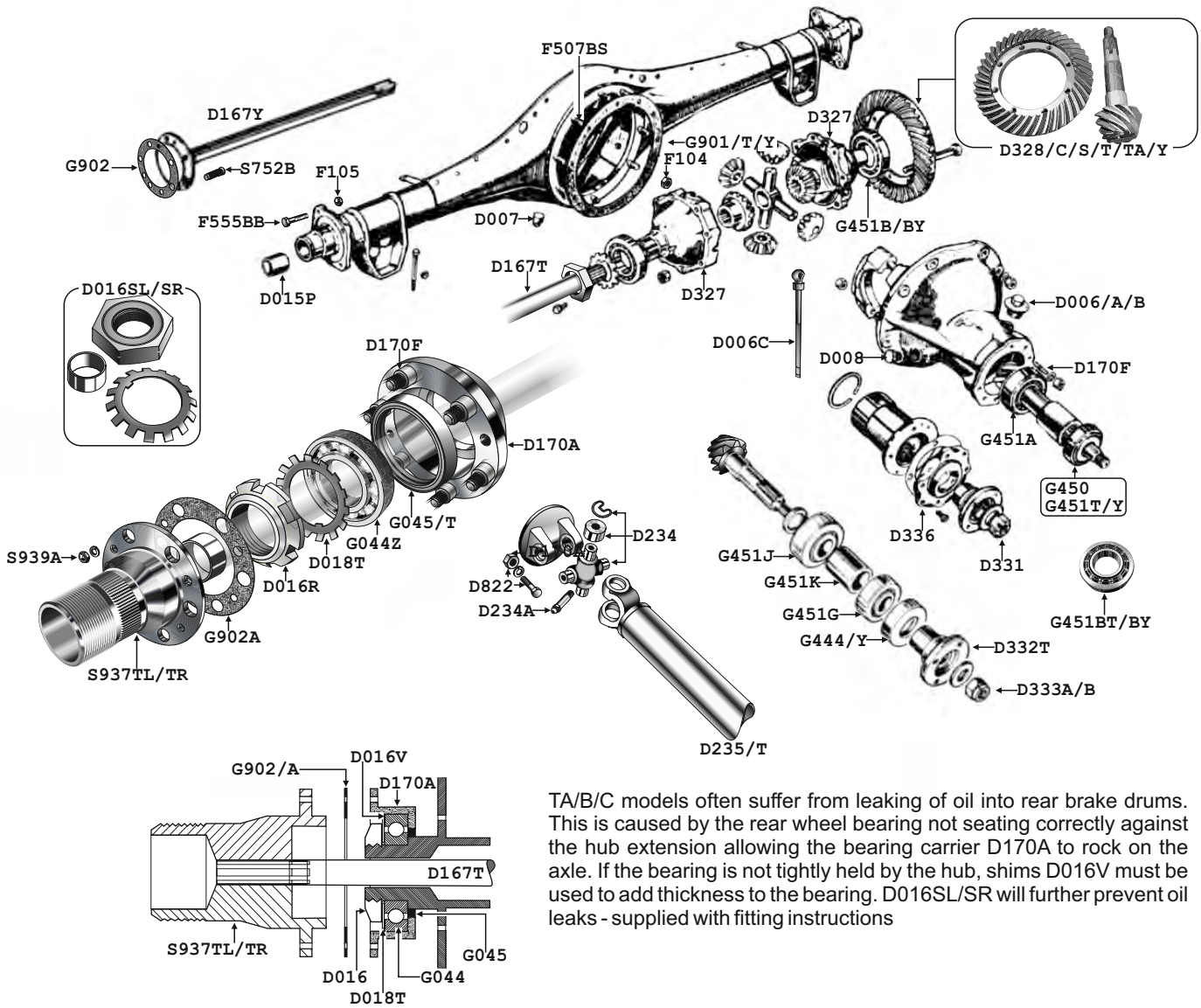


		TD	TF	YA/T	YB			TD	TF	YA/T	YB
C088	Hub cap + 'MG' badge	4	4	0	4	S257A	Bolt + nut set levers to Sp/Pan	2	2	2	2
C088B	Hub cap - plain	0	0	4	4	S258L	Swivel pin LH	1	1	1	1
C428L	2 Eared wheel nut LH-MG motif	4	4	0	0	S258R	Swivel pin RH	1	1	1	1
C428R	2 Eared wheel nut RH-MG motif	4	4	0	0	S259	Spacer-distance	2	2	0	1
C428AL	Octagonal whl nut LH-MG motif	4	4	0	0	S259A	Washer-distance	0	0	2	0
C428AR	Octagonal whl nut RH-MG motif	4	4	0	0	S293	Spring pan for wishbone	2	2	2	2
F104	Nut-bump stop packing	4	4	4	4	S303BF	Bolt-swivel link-bottom	2	2	2	2
F509BB	Bolt-bump stop packing	4	4	4	4	S303TF	Bolt-swivel link-top	2	2	2	2
G041	Oil seal-front hub	2	2	0	2	S304B	Nut-swivel link bolt	4	4	4	4
G041Y	Oil seal-front hub	0	0	2	0	S332	Coil spring-front suspension	2	2	0	0
G041G	Felt seal-front hub (<i>early TD</i>)	2	0	2	0	S332Y	Coil spring-front suspension	0	0	2	2
G042	Bearing-outer-front hub	2	2	2	2	S333	Spigot-spring to chassis top	2	2	2	2
G042A	Spacer-wheel bearing	2	2	0	2	S347	Bush-swivel link	4	4	4	4
G042AY	Spacer-front hub bearing	0	0	2	0	<i>(included in S125 Links)</i>					
G043	Bearing-inner-front hub	2	2	0	2	S435TL	Stub Axle LH	1	1	0	1
G043Y	Bearing-inner-front hub	0	0	2	0	S435TR	Stub Axle RH	1	1	0	1
R135	Bush-wishbone (<i>inner</i>)	8	8	8	8	S456	Grease cap-front hub	2	2	0	2
R135A	Bush-wshbne (<i>hvy duty V8 type</i>)	4	4	4	4	S456A	Grease cap-front hub (<i>early</i>)	2	0	2	0
R135AP	Bush-wshbne (<i>hard wearing poly</i>)	4	4	4	4	S491	Inner pivot bar-wishbone	2	2	2	2
R319	Bump stop *	2	2	2	2	S491A	Nut-pivot bar/chassis	4	4	4	4
* Y Types + early TD models used a different shaped rubber without spacer-part No S775. These will be needed if not already fitted.						S491B	Bolt + nut set-pivot bar/chass	2	2	2	2
R859	Bush-anti roll bar to link + Bush - Panhard rod	0	0	0	4	S491C	Washer-wishbone-inner	4	4	4	4
R859P	Bush-shocks+ARB link+Eng(poly)	4	4	4	4	S500L	Nut-front hub LH 3/4"UNF	1	1	0	1
R860	Bush-anti roll bar link end	0	0	0	4	S500R	Nut-front hub RH 3/4"UNF	1	1	0	1
R860A	Bush-anti roll bar mount/chass	0	0	0	2	S500TL	Nut-front hub LH 5/8"BSF	1	1	1	0
R920	Plug-brake drum (<i>wire wheels</i>)	4	4	0	0	S500TR	Nut-front hub RH 5/8"BSF	1	1	1	0
S011	Anti roll bar kit	1	0	0	0	S502A	Washer-front hub 3/4"	2	2	0	0
S012	Anti roll bar kit	0	1	0	0	S502B	Washer-front hub 5/8"	2	2	0	0
S101	Seal + washer kit (<i>contains S101A/B/C/D/E for one side</i>)	2	2	2	2	S750A	Stud-road wheel (BSF) early	20	0	0	20
S101A	Thrust washer-swivel link	8	8	8	8	S750B	Stud-road wheel (UNF) late	20	20	0	20
S101B	Seal support-swivel link	8	8	8	8	S751A	Nut-road wheel (BSF) early	20	0	0	20
S101C	Seal-swivel link side	8	8	8	8	S751AY	Nut-road wheel	0	0	20	0
S101D	Distance bush-swivel link	4	4	4	4	S751B	Nut-road wheel (UNF) late	20	20	0	20
S101E	Seal-swivel pin	4	4	4	4	S752A	Stud-road wheel-front	0	0	10	0
S124L	Steering arm L/H	1	1	0	1	S752B	Stud-road wheel-rear	0	0	10	0
S124R	Steering arm R/H	1	1	0	1	S752C	Stud+nut road wheel fr/rear	0	0	10	0
S125A	Plug-swivel link end (<i>Included in S125 Links</i>)	4	4	4	4	S775	Packing-bump stop to chassis	2	2	2	2
S125BL	Swivel link-LH bottom	1	1	1	1	S775A	Bolt/nut set-bump stop/packing	2	2	2	2
S125BR	Swivel link-RH bottom	1	1	1	1	S842	Grease nipple-swivel link	4	4	4	4
S125TL	Swivel link-LH top	1	1	1	1	S938A	Grease retainer - front hub w/w	2	2	0	0
S125TR	Swivel link-RH top	1	1	1	1	S938L	Hub-front-wire wheel type LH	2	2	0	0
S158AX	Shock-front Girling exchange	2	0	0	2	S938R	Hub-front-wire wheel type RH	2	2	0	0
S158AK	Bolt mounting kit-Girling front	1	0	0	1	S938AL	Lock ring-stub axle LH	0	0	1	0
S158BX	Shock front Armstrong exchange	2	2	0	0	S938AR	Lock ring-stub axle RH	0	0	1	0
S158BK	Bolt mounting kit-Armstrong front	1	1	0	0	S938B	Circlip-stub axle	2	0	2	0
S158CX	Shock-front exchange	0	0	2	0	S938C	Stud - front hub - wire wheel	12	12	0	0
S158CK	Bolt mounting kit-front	0	0	1	0	S939	Brake drum-wire wheel type	4	4	0	0
S257	Wishbone lever	4	4	4	4	S939A	Nut-brake drum (<i>wire wheel</i>)	24	24	0	0
						S939E	Lock tab-brake drum	12	12	0	0
						S950	Hub/drum unit-front (<i>disc wheel</i>)	2	2	0	2
						S990	Anti Roll bar kit	1	1	0	0
						S991	Panhard rod assembly - rear	0	0	1	0
						S991A	Mount bolt assembly-panhard rod	0	0	2	0





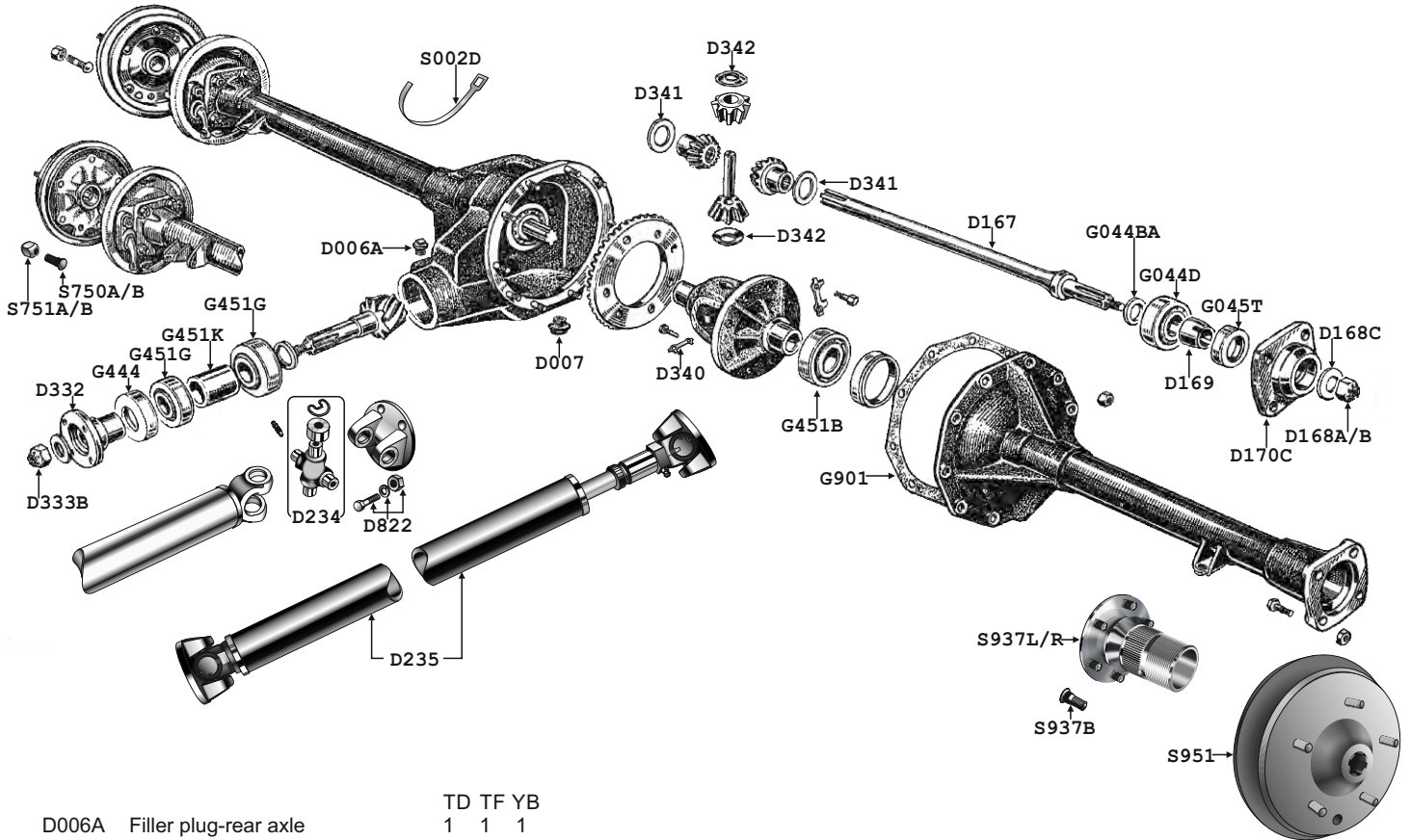
Rear Axle & Propshaft TA,B,C,YA & YT



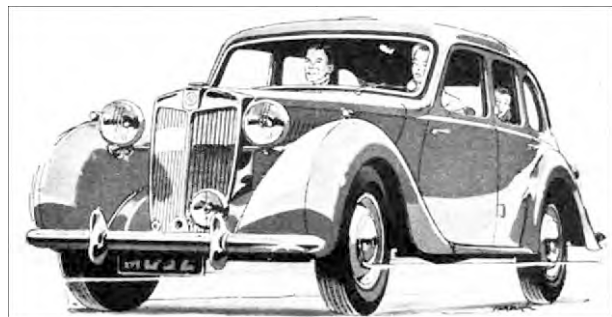
TA/B/C models often suffer from leaking of oil into rear brake drums. This is caused by the rear wheel bearing not seating correctly against the hub extension allowing the bearing carrier D170A to rock on the axle. If the bearing is not tightly held by the hub, shims D016V must be used to add thickness to the bearing. D016SL/SR will further prevent oil leaks - supplied with fitting instructions

		TA	TC	YA	YT
D006	Filler plug-rear axle	1	1	0	0
D006B	Filler plug-rear axle	0	0	1	1
D006C	Dipstick-rear axle	0	0	1	1
D007	Drain plug-rear axle	1	1	1	0
D008	Level plug-rear axle	1	1	0	0
D015P	Oil return bush-rr axle-pr	1	1	0	0
D016L	Locking nut-axle bearing LH	1	1	1	0
D016R	Locking nut-axle bearing RH	1	1	1	0
D016SL	Nut-rear hub bearing with seal LH	1	1	0	0
D016SR	Nut-rear hub bearing with seal RH	1	1	0	0
D016V	Shim set-rear axle oil leak kit	1	1	0	0
D018T	Lock washer-hub nuts	2	2	2	0
D021	Diff assy	0	0	1	1
D022	Diff assy (8:41)	0	0	0	0
D167T	Axle half shaft	2	2	0	0
D167Y	Axle half shaft	0	0	2	2
D170A	Bearing carrier-rear hub	2	2	0	0
D170B	Bearing carrier-rr hub	0	0	2	2
D170F	Stud-rear bearing carrier	12	0	0	0
D234	Universal joint-prop shaft	2	2	2	0
D234A	Grease nipple-propshaft-long	1	1	1	1
D234B	Grease nipple-propshaft-short	1	1	1	1
D235T	Propshaft complete + TB	1	1	0	0
D327	Diff carrier assembly <i>New!</i>	0	1	0	0
D328S	Crown wheel + pinion 8:37	1	1	0	0
D328T	Crown wheel + pinion 8/41	0	1	0	0
D328TA	Crown wheel + pinion 8/39	1	0	0	0
D328Y	Crown wheel + pinion	0	0	1	1
D331	Nut-differential pinion	1	1	1	0
D332T	Pinion Flange + TB	1	1	0	0
D333A	Nut-diff pinion BSF (early)	0	0	0	0
D334A	Shim-rear axle pinion 0.002"	A/R	0	0	0

		TA	TC	YA	YT
D334B	Shim-rear axle pinion 0.005"	A/R	0	0	0
D336	Pinion cap + oil seal	1	1	0	0
<i>(conversion with modern oil seal)</i>					
D822	Bolt + nut-prop shaft(set 4)	2	2	2	0
F104	Nut 5/16" BSF	10	10	10	10
F105	Nut-axle to back plate	0	0	8	8
F507BS	Set screw 5/16" BSF x 1 1/4"	8	8	8	8
F511BS	Set screw 5/16" BSF x 1 1/4"	2	2	2	2
F559BB	Bolt-axle to back plate	0	0	8	8
G044Z	Bearing-rear hub	2	2	2	0
G045	Oil seal-rear hub	2	2	2	2
G444	Oil seal-diff pinion	0	0	0	0
G444Y	Oil seal-diff pinion	0	0	1	1
G450	Bearing-pinion-front (single)	1	0	0	0
G451A	Bearing-pinion-rear	1	1	0	0
G451B	Bearing-diff. carrier	2	2	0	0
G451BY	Bearing-differential carrier	0	0	1	1
G451T	Bearing-pinion-fr (double)(4TB)	0	1	0	0
G451Y	Bearing-pinion-front	0	0	1	1
G901T	Gasket-differential	1	1	0	0
G901Y	Gasket-differential	0	0	1	1
G902	Gasket-rear hub flange	0	0	2	2
G902A	Gasket-rear hub flange	2	2	0	0
S751AY	Nut-disc wheel	0	0	20	20
S752B	Stud-rear disc wheel	0	0	10	10
S937TL	Rear hub LH	1	1	0	0
S937TR	Rear hub RH	1	1	0	0



		TD	TF	YB
D006A	Filler plug-rear axle	1	1	1
D007	Drain plug - rear axle	1	1	1
D167	Half shaft	2	2	2
D168A	Nut - half shaft BSF	2	0	2
D168B	Nut - half shaft UNF	2	2	2
D168C	Washer - half shaft	2	0	2
D169	Collar - half shaft	2	2	2
D170C	Bearing carrier - rear hub	2	2	2
D234	Universal joint - prop shaft	2	2	2
D235	Propshaft - complete	1	1	0
● D328C	Crown wheel + pinion 4.55 (9:41)	1	1	1
D332	Pinion flange	1	1	0
D333B	Nut - differential pinion SAE	1	1	1
D340	Locktab - crown wheel pinion bolt	4	4	4
D341	Thrust washer - differential gear	2	2	2
D342	Washer - pinion gear	2	2	2
G044BA	Spacer - rear hub bearing	2	2	0
G044B	Bearing - rear hub	2	2	2
G045T	Oil seal - rear hub	2	2	2
G451B	Bearing - differential carrier	2	2	2
G451G	Bearings - pinion front & rear	2	2	2
G451K	Spacer - pinion bearings	1	1	1
G901	Gasket - differential	1	1	1
S002D	Strap - axle - brake pipes	----	AR	----
* S750A	Stud - road wheel BSF	20	0	20
** S750B	Stud - road wheel UNF	20	20	20
* S751A	Nut - road wheel BSF	20	20	20
** S751B	Nut - road wheel UNF	20	20	20
S937B	Stud - wire wheel hub	24	24	24
S937L	Hub - wire wheel LH	1	1	0
S937R	Hub - wire wheel LH	1	1	0
S951	Hub/Drum unit - rear	2	2	2



- Conversion kit
- * TD to chassis 12285
- ** TD From chassis 12286

Early TD/YB used BSF thread on end of half shaft but as these are no longer available a new nut, D168B, must be used when fitting new. Identification can be made by measuring across the flats of old nut.

BSF = 33mm UNF = 30mm



WIRE WHEELS & CONVERSIONS

Our wire wheel conversion kits contain all parts for easy installation. *(Wheels not included)*

YB models can also be fitted just as easily but the boot (*trunk*) floor must be removed so that the spare wheel can be placed in the wheel locker from above.

- S980 Conversion kit to wire wheel TD/F
- S981 Conversion kit to wire wheel TF

Note: 60 spoke wire wheels were never offered by the MG Factory but are often preferred for their extra strength and slightly wider section.

	TA	TC	TD	TF	YB
C428AL Wheel spinner-octagonal LH	2	2	2	2	2
C428AR Wheel spinner-octagonal RH <i>(continental type)</i>	2	2	2	2	2
C428L Wheel spinner-2 eared LH	2	2	2	2	2
C428R Wheel spinner-2 eared RH	2	2	2	2	2
C892 'Knock off' for spare wheel	1	1	0	0	0
C892A Spring + key-spare wheel	1	1	0	0	0
C892D 'Knock off' for T060 carrier	0	0	0	1	0
C893 Adaptor spare wire wheel	0	0	1	1	0
H080A 'MG' badge-spare <i>(wire)</i> wheel	0	0	0	1	0
H081 'MG' badge-spare <i>(wire)</i> wheel	1	1	1	0	0
S937L Rear hub-wire wheel LH	0	0	1	1	1
S937LT Hub-rear LH	1	1	0	0	0
S937R Rear hub-wire wheel RH	0	0	1	1	1
S937RT Hub-rear RH	1	1	0	0	0
S938L Front hub-wire wheel LH	0	0	1	1	0
S938LT Hub-front LH	1	1	0	0	0
S938R Front hub-wire wheel RH	1	1	0	0	0
S938RT Hub-front RH	1	1	0	0	0
S939 Brake drum-wire wheel	0	0	4	4	4
S939A Nut-brake drum to hub	24	24	24	24	24
S939E Lock tab-brake drum	12	12	12	12	12

WHEELS

	TA	TC	TD	TF	YB
S940 15" 48 Spoke-painted	0	0	5	5	5
S940A 15" 48 Spoke-chrome	0	0	5	5	5
S941 15" 60 Spoke-painted	0	0	5	5	5
S941A 15" 60 Spoke-chrome	0	0	5	5	5
S941SS Wire wheel-st/steel 72 spoke	0	0	5	5	0
S942 19" Centre laced-painted	5	5	0	0	0
S942TA 19" Side laced-painted	5	0	0	0	0
S942C 19" Centre laced-chrome	5	5	0	0	0
S942CTA 19" Side laced-chrome	5	0	0	0	0

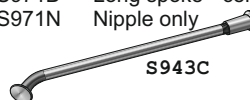
Side laced wheels were originally fitted to TA Chassis Number TA/1770 (Oct 1937). From TA/1771 and all TB and TCs were fitted with centre laced wheels.

S952A Fastener stud-hub cap	----	AR	----		
S952T Disc wheel-15" used	0	0	5	5	0
S952Y Disc wheel-16" used YA + YT					
S952YB Disc wheel-15" used + W4/44	0	0	0	0	5

- X208 Copper mallet-wire wheel removal
- X208A Octagonal spanner-for C428A *(continental type)*

SEPARATE SPOKES AND NIPPLES

S943A Short spoke+nipple - 48 spoke wheel TD/F <i>(32 per wheel)</i>
S943B Long spoke+nipple - 48 spoke wheel TD/F <i>(16 per wheel)</i>
S943C Spoke+nipple chrome - 48 spoke-short
S943D Spoke+nipple chrome - 48 spoke-long
S970A Short spoke - side laced TA <i>(32 per wheel)</i>
S970B Long spoke - side laced TA <i>(16 per wheel)</i>
S971C Short spoke - centre laced TB/C <i>(32 per wheel)</i>
S971D Long spoke - centre laced TB/C <i>(16 per wheel)</i>
S971N Nipple only



S943C

Disc Brakes Conversions

TD, TF, YB (not available for YA & YT)



K950FS Disc brake conversion for steel disc wheels



K950FW Disc brake conversion for wire wheels

S981DK Wire wheel conversion with front disc brakes

Wire wheels:	S941	Wire wheel - painted 60 spoke
	S941A	Wire wheel - chrome 60 spoke
	S941TK	Wire wheel + tyre painted 60 spoke
	S941ATK	Wire wheel + tyre chrome 60 spoke

All above wheels are tubeless and chrome wheels have stainless steel spokes

Enquire about allowance given for old disc wheels and brake drums



C893



B152



B165S



B308AK



B310



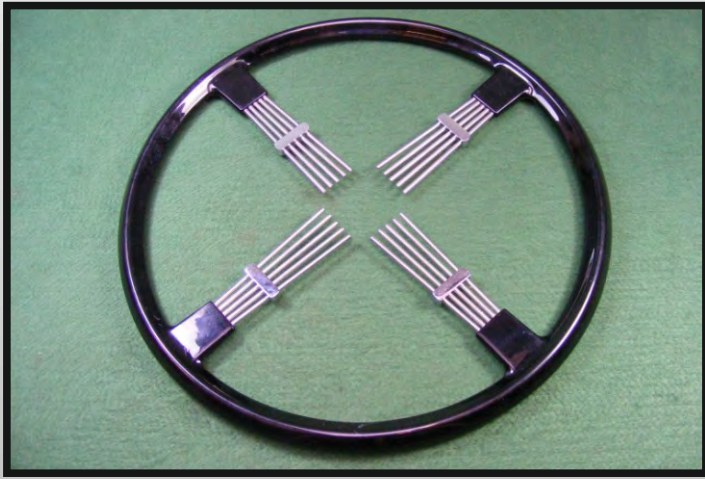
B023XT



C093



C099KT



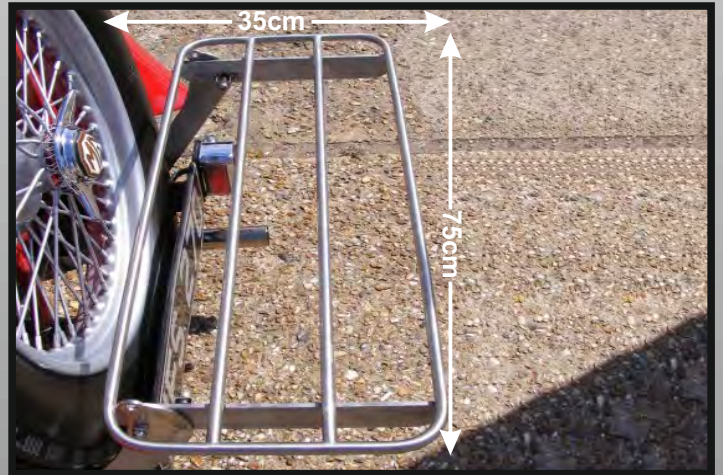
C469B



C469C



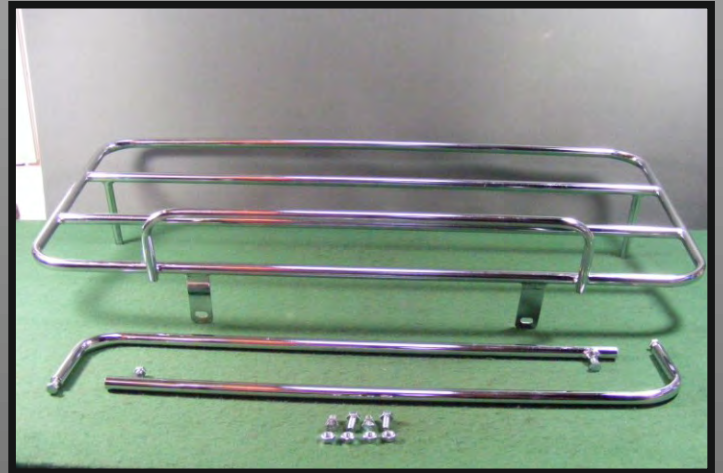
C496D



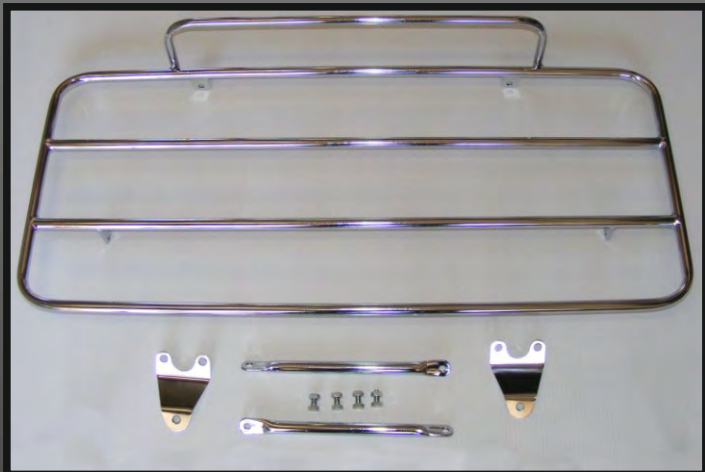
C813SS



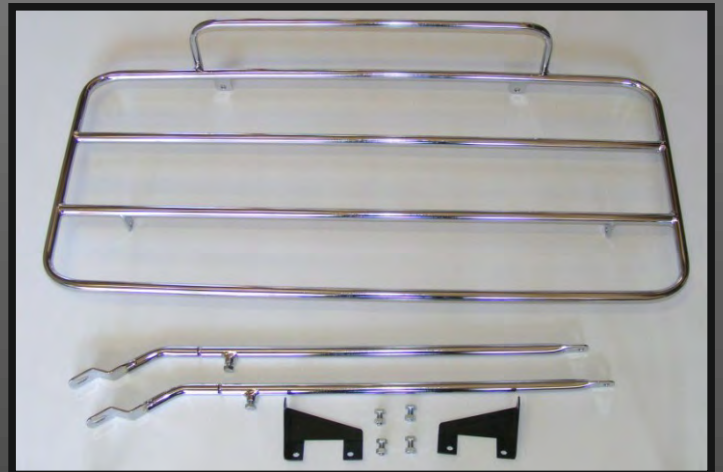
C470



C811AA



C813B



C813C



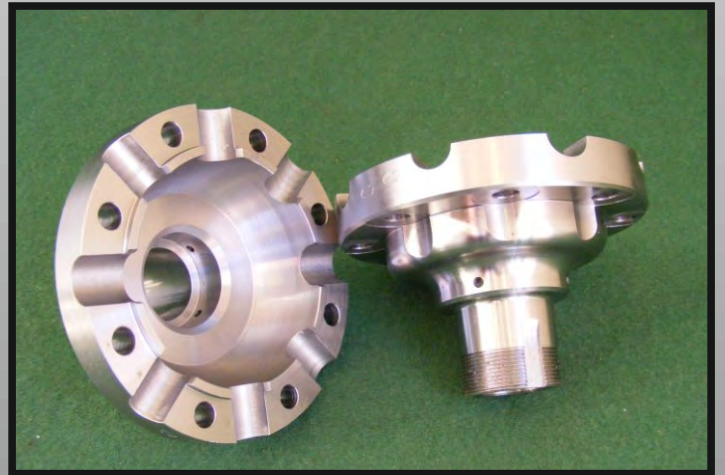
C930B



A569B



D167TL



D327



D506Y



H551T



J001MTD



B024AC



J010ETC



J047D



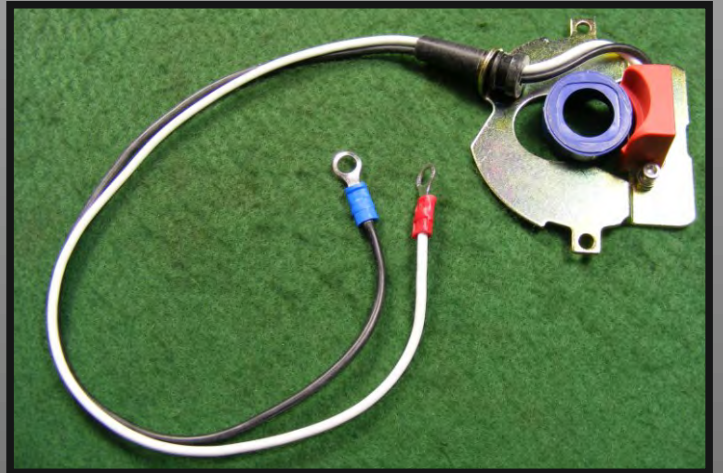
A574B



K189



K189PX



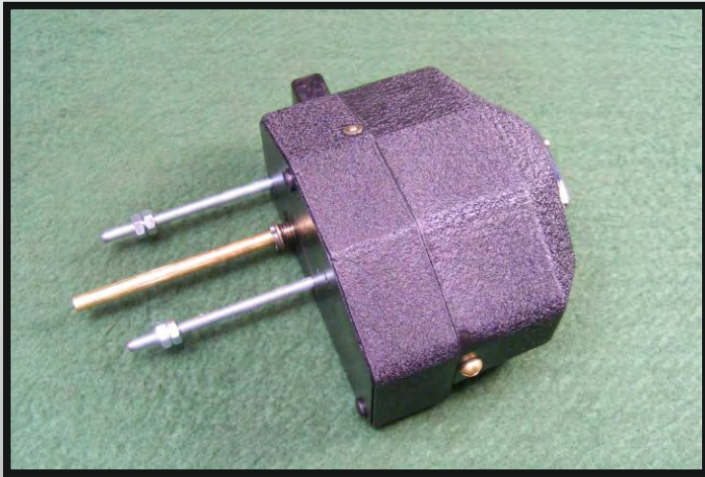
L011



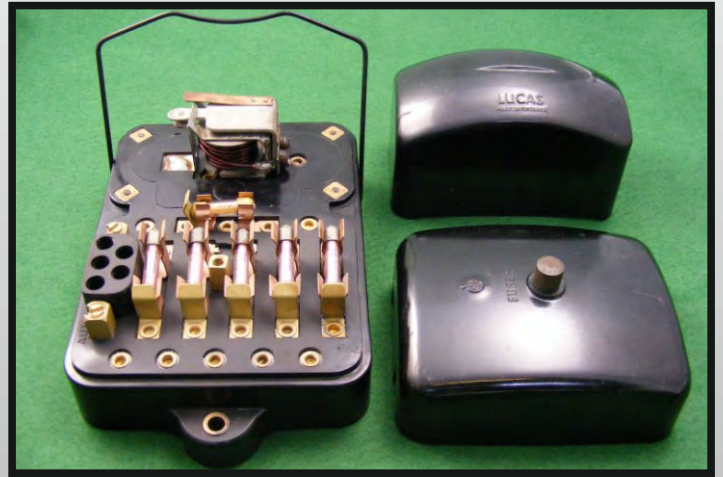
B147E



L013BX



L059X



L127XT



L165BX



S950S



A574A



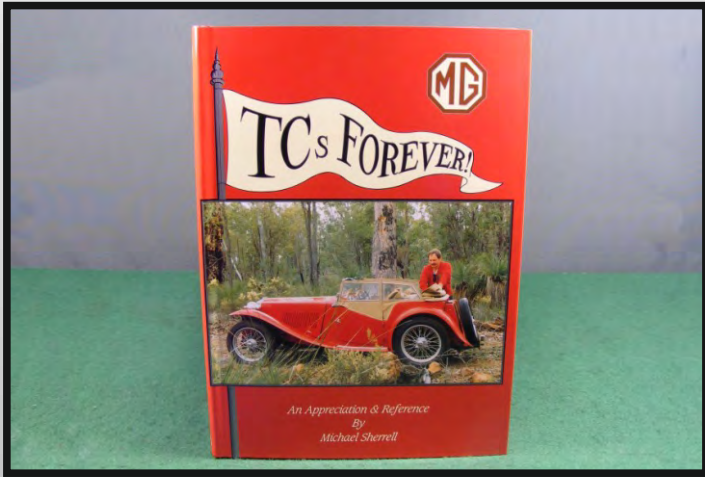
S158XL



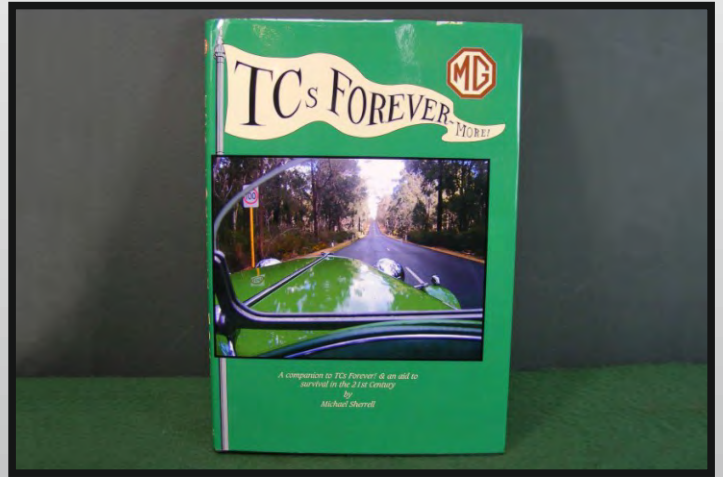
L487



S990



P562



P562A



R203



S103B



S106B



S158AX



S158BX



A574C

Electrical - Lighting



L250



L704H



L456



L482



L907C



L481



L486A



L129



L486



L060B



L485



L062



L140 Headlamps TA/TB/TC/YA

Fitted originally with one mechanical reflector operated by solenoid, and one plain which was extinguished when in the dipped position, only the dipped (kerbside) unit remained illuminated. This is no longer legal and twin filament bulbs are now used in both reflectors, the solenoid being redundant, although the reflector can still be used when fitted with the correct bulb.

The TA & TB used a different reflector, backshell and rim from postwar models with different fittings for rim seal and attachment, the TB rim had a more "turned in" outer edge than the TA.

The TC & YA models featured the same dipping arrangements as pre-war models although the detail design of the reflectors, rim and backshells was different, using different rim clips and 2 different types of rim glass. Early cars used glasses with a much shallower curve than later models which featured a much deeper dome. This change took place from TTC/1850. Glass on the early pattern was of "horseshoe" design, the deep dome type has a "cats eye" diamond pattern with a small Lucas logo. Deep glasses with both "horseshoe" and aftermarket design with a large Lucas badge may also be found having been fitted at a later date.

Conversions to 7" light units

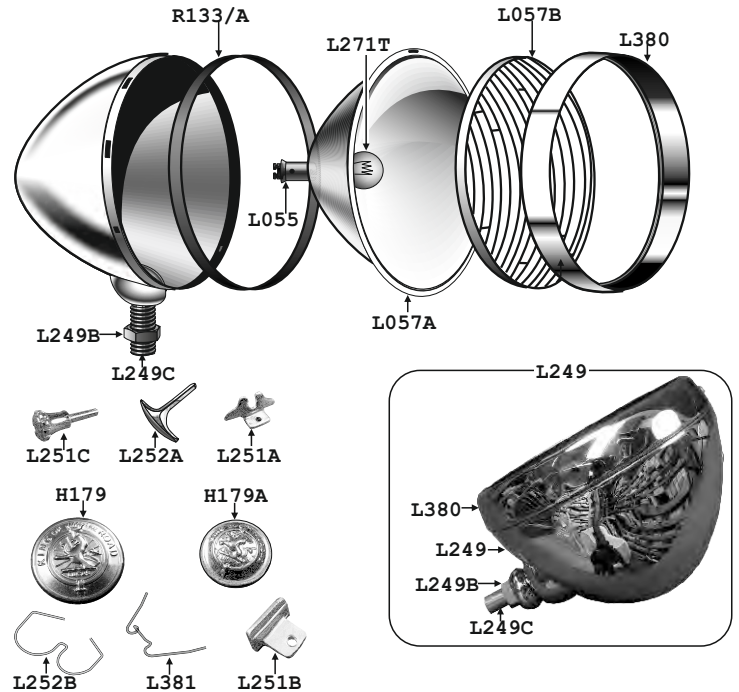
Although the preferred trend is to revert to original 8" light units as above, many cars with 8" headlamps have been converted to take 7" units using a conversion rim L380B in order to use various more modern types as can be used on cars originally fitted with 7" units i.e. YT, TD, TF & US export EXU TC: see illustrations.

HEADLAMP COMPONENTS

		TA	TC	TD	TF	YA	YB
H179	Lucas badge-headlamp	2	2	2	0	2	2
L055	Bulb holder-headlamp+YT	2	2	0	0	2	0
L057AA	Reflector-headlamp+TB	1	0	0	0	0	0
L057AB	Reflector-solenoid headlamp	0	1	0	0	1	0
L057AP	Reflector-plain headlamp	0	2	0	0	2	0
L057AS	Reflector-solenoid headlamp	0	1	0	0	1	0
L057BA	Lens-headlamp-large badge+YT	0	2	0	0	2	0
L057BB	Lens-headlamp-small badge+YT	0	2	0	0	2	0
L057BC	Lens-h/lamp "U" deep dome+YT	0	2	0	0	2	0
L057BT	Lens-headlamp "U" deep dome	2	2	0	0	0	0
L249	Headlamp-less light unit	0	0	2	0	0	2
L249B	Nut-head/fog lamp	2	2	2	2	2	2
L249C	Stud - headlamp fixing	2	2	2	0	2	2
L250	Headlamps-reconditned pr+YT	0	1	0	0	1	0
L250T	Headlamps-reconditned pr+TB	1	0	0	0	0	0
L251A	Catch-headlamp rim +TB	2	0	0	0	0	0
L251B	Catch-headlamp shell +TB	2	0	0	0	0	0
L251C	Screw-headlamp shell +TB	2	0	0	0	0	0
L252A	Rim catch-headlamp	0	2	0	0	2	0
L252B	Spring-headlamp rim catch	0	2	0	0	2	0
L271T	Bulb-headlamp 2-pole+TB/YT	2	2	0	0	2	0
L380B	Outer rim-reducer-8" to 7"+TB/YA	2	2	0	0	2	0
L380T	Outer rim-headlamp-chrome+YT	0	2	0	0	2	0
L380TA	Outer rim-headlamp-chrome	2	0	0	0	0	0
L380TB	Rim-h/lamp-rolled in edgeTBx2	0	0	0	0	0	0
L380TC	Chrome rim-headlamp-early TC	0	2	0	0	0	0
L381	Wire clip-h/lamp retainer-30mm+YT	0	0	8	0	0	8
L381A	Wire clip-h/lamp retainer-48mm	8	8	0	0	8	0
R116	Seal set for "D" lamps (3pcs) +TB	0	1	0	0	1	1
R133	Rim seal-rubber-headlamp	0	2	0	0	2	0
R133A	Rim seal-sponge-headlamp+TB	2	0	0	0	0	0

OTHER LAMPS & COMPONENTS

		TA	TC	TD	TF	YA	YB
C255	Plinth-stop tail lamp -late TD	0	0	2	2	0	0
H179A	Lucas badge-fog lamp	2	2	2	0	2	2
L060	D-lamp-single lens black	0	2	0	0	2	2
L060A	D-lamp-single lens chrome	0	2	0	0	2	2
L060B	D-lamp-stop/tail-divid+TB	0	2	0	0	2	2
L060C	Side lens D-lamp+TB	0	2	0	0	2	2
L060D	Red lens D-lamp	0	2	0	0	2	2
L060E	White+red lens D-lamp	0	0	0	0	2	2
L060F	Lens D-lamp one piece	0	2	0	0	2	2
L062	Lamp - stop/tail round	2	0	0	0	0	0
L129	Lamp - number plate	0	0	1	1	0	0
L129C	Cover - number plate lamp	0	0	1	1	0	0
L129D	Nut - number plate lamp	0	0	1	1	0	0
L271F	Bulb headlamp xenon	0	0	0	2	0	2
L447L	Indicator lamp on stalk (pr)	1	1	1	1	1	1
L456	Foglamp (SFT 576)	0	0	1	1	0	0
L456A	Light unit (SFT 576) foglamp	0	0	1	1	0	0
L456B	Bulb holder - fog/spotlamp	0	0	2	2	0	0

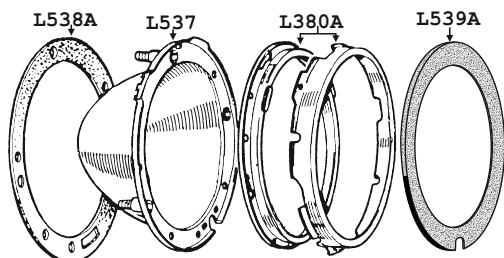
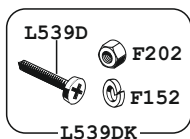
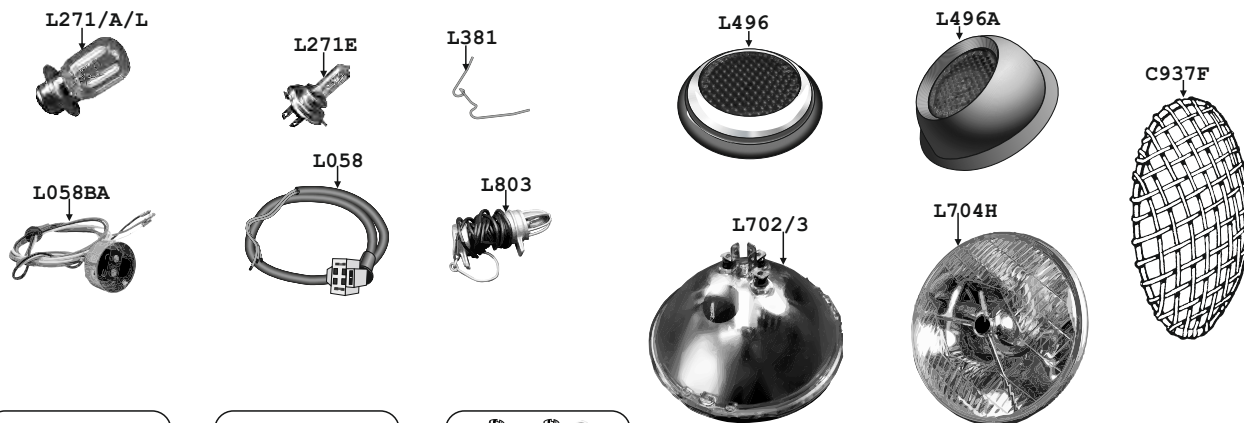


		TA	TC	TD	TF	YA	YB
L456C	Chrome nipple - fog/spotlamp	0	0	1	1	0	0
L456S	Spotlamp (SLR 576)	0	0	1	1	0	0
L456T	Light unit (SLR 576) spotlamp	0	0	1	1	0	0
L467	Sidelamp complete	2	2	2	2	2	2
L467A	Bulb holder -sidelamp- twin	2	2	2	2	2	2
L467B	Bulb holder -sidelamp- single	2	2	2	0	2	2
L467D	Lens-sidelamp glass/chrome	2	2	2	2	2	2
L467E	Chrome screw - sidelamp	2	2	2	2	2	2
L467G	Sidelamp conversion-internals (pr)	1	1	1	1	1	1
L467K	Sidelamp conversion-complete (pr)	1	1	1	1	1	1
L467R	Torpedo rear indicator lamps (pr)	1	1	1	1	0	0
L481	Foglamp (SFT 462) reconditioned	0	1	1	0	0	0
L482	Foglamp original (FT57) +YT	0	0	0	0	1	0
L485	Foglamp (FT27) replica +TB	1	1	0	0	0	0
L485A	Glass-foglamp (FT27) +TB	1	1	0	0	0	0
L486	Stop/tail lamp - circular	0	0	2	2	0	0
L486A	Stop/tail lamp- rectangular	0	0	2	0	0	0
L486B	Rim-stop/tail rectangular lamp	0	0	2	0	0	0
L486C	Lens - plastic - rectangular lamp	0	0	2	0	0	0
L486D	Lens - glass - rectangular lamp	0	0	2	0	0	0
L486E	Lens - round - stop/tail lamp	0	0	2	2	0	0
L486F	Rim - round - stop/tail lamp	0	0	2	2	0	0
L486G	Bulb holder - round - stop/tail lamp	0	0	2	2	0	0
L486H	Bulb holder - rect.- stop/tail lamp	0	0	2	0	0	0
L486J	Screw - rectangular tail lamp	0	0	4	0	0	0
L803	Inspection lamp - dash + TB	1	1	1	0	0	0
L907C	Interior roof lamp	0	0	0	0	1	1



- L058 Harness - sealed beam headlamp
- L058A Harness - 7" BPF headlamp
- L249 Headlamp shell stainless
- L249B Nut - head/fog lamps
- L249C Stud - headlamp fixing
- L380TD Chrome rim - headlamp
- L381 Wire clip - headlamp retainer
- L496 Rear reflector + TB
- L496A Rear reflector
- L702 Sealed beam RHD
- L703 Sealed beam LHD
- L704H Tripod headlamp (pr) RHD H4 halogen
- L705 Tripod headlamp (pr) LHD BPF Z
- L803 Inspection lamp + TB

	TA	TC	TD	TF	YA	YB	YT
L058	0	0	2	2	0	2	0
L058A	0	0	0	2	2	2	2
L249	0	0	2	0	0	2	0
L249B	2	2	2	2	2	2	2
L249C	2	2	2	0	2	2	2
L380TD	0	0	2	0	0	2	2
L381	6	6	6	6	6	6	6
L496	2	2	2	0	2	2	2
L496A	0	0	0	2	0	0	0
L702	0	0	2	0	0	2	0
L703	0	0	2	2	0	2	0
L704H	0	0	1	1	0	1	1
L705	0	0	1	1	0	1	0
L803	1	1	1	0	0	0	0



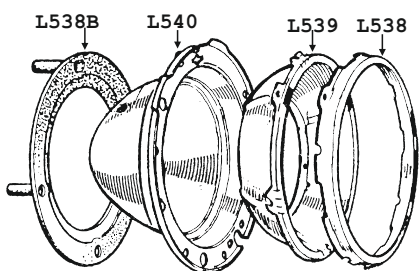
TF
Shell
Type 1

STONEGUARDS *Protect your lamps from flying objects!*

No drilling needed
C937F Headlamp stoneguards (pair) 2

SHELL TYPE 1

L380 Outer chrome rim 2
L380A Inner rim assembly 2
L380C Adjuster set (1 set per lamp) 2
L537 Shell - 3 point adjuster type 2
L538A Seal - shell assembly to wing 2
L539A Dust excluder- inner rim 2

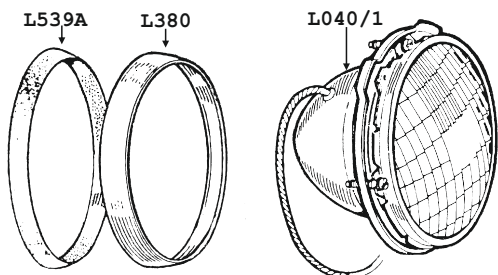


TF
Shell
Type 2

SHELL TYPE 2

F152 Spring washer 3/16" A/R
F202 Nut - zinc plated 3/16" A/R

L380 Outer chrome rim 2
L538 Inner rim assembly 2
L538B Seal - shell assembly to wing 2
L539 Adjuster bowl 2
L539C Adjuster set (1 set per lamp) 2
L539D Screw - headlamp to wing 8
L539DK Fixing kit - headlamp 2
L540 Shell - 2 point adjuster type 2



COMPLETE LAMP ASSEMBLIES

L040 Headlamp assembly RH drive 2
L041 Headlamp assembly LH drive 2

HALOGEN HEADLAMP CONVERSIONS upgrade your classic to modern lighting standards

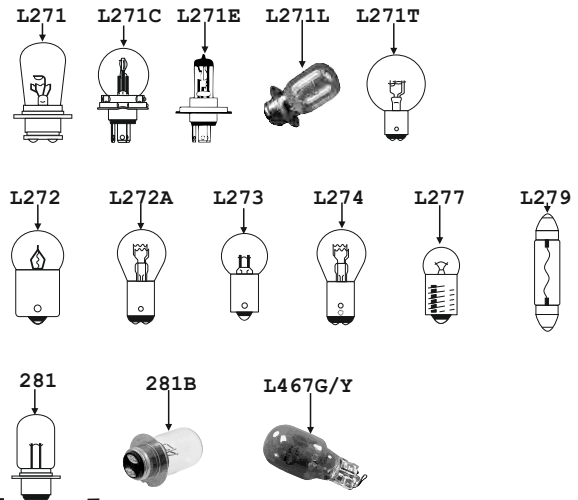
L708 Halogen H/L kit complete pair RHD 1
L709 Halogen H/L kit complete pair LHD 1

WIRING LOOMS

L001	Dash loom-braided	TA/B
L001A	Wiring loom-std braided	TA/B
L001AF	Wiring loom-sep indic	TA/B
L001AR	Wiring loom-relay indic	TA/B
L001RF	Wiring loom kit-relay	T & Y
L002	Dash loom-braided early	TC
L002A	Wiring loom-braided early	TC
L002AA	Wiring loom braided sep indic early	TC
L003	Dash loom-braided late	TC
L003A	Wiring loom-braided late	TC
L003AA	Wiring loom-braided sep ind late	TC
L003AR	Wiring loom-braided-relay indicator	TC(late)
L003C	Conduits - side lamp wires (pair)	TA/B/C
L003D	Conduit-main harness	TA/B/C
L003DD	P Clip-harness conduit to footplate	TA/B/C
L003E	Conduit - coil + fuel pump	TC
L003K	Clip set - wiring loom with flashers	TC
L004	Dash loom-braided	TD
L004A	Wiring loom-brd dash dip+relay ind	TD
L005A	Wiring loom-braid foot dip+relay ind	TD
L005E	Wiring loom-brd dash dip + flashers	TD
L005F	Wiring loom-brd foot dip+flashers	TD
L006	Dash loom-braided	TF
L006A	Wiring loom-braided	TF
L007A	Wiring loom-braided	YA
L007C	Spring - wiring harness 9"	YA/B/T
L007D	Wiring loom-upper body	YA
L008	Dash loom - braided	YT
L008A	Wiring loom-braided	YB
L008D	Wiring loom-braided + relay flashers	YT
L020A	Terminal bullet connector - all models	
L020B	Bullet connector - single - all models	
L020C	Bullet connector - double - all models	
L020D	Bullet connector - 5 way - all models	
L045H	Wiring loom-steer/column	YA/T
L045J	Wiring loom-steering/column	YB

BULBS

		TA	TC	TD	TF	YA	YB
L271	Headlamp-BPF RHD	0	0	2	2	0	2
L271C	Headlamp-continental	0	0	2	2	0	2
L271E	Headlamp-continental-halogen	0	0	2	2	0	2
L271L	Headlamp-BPF LHD	0	0	2	2	0	2
L271T	Headlamp (2-pole)+TB+YT	2	2	0	0	2	0
L272	Sidelamp-single contact	2	2	2	0	2	2
L272A	Sidelamp-twin contact (orig)	2	2	2	2	2	2
L273	Number plate	0	0	2	2	0	0
L274	Sidelamp-twin contact (repl)				A/R		
L274	Stop/tail lamp-twin contact				A/R		
L277	Dash/panel light				A/R		
L279	Trafficator+interior	0	0	0	0	3	3
L281	Fog/spotlamp-single contact				A/R		
L281B	Fog/spotlamp-twin contact				A/R		
L359AA	Pin-distributor drive gear	1	1	1	1	1	1
L359BB	Washer-distributor	1	1	1	1	1	1
L467G	Amber bulb-L467G conversion	2	2	2	2	2	2
L467GY	Clear bulb-L467G conversion	2	2	2	2	2	2



Cockpit Heater

COCKPIT HEATER

Compact heaters suitable for all models. 2 speed centrifugal fan with two fully adjustable cockpit vents and demist outlets. (Blank off if not required)
Heat output-4.0 kW

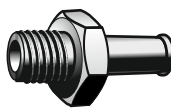
		TA	TC	TD	TF	YA	YB
A265B	Sealing washer for B387 & A847	2	2	2	2	2	2
B849D	Heater 1.25" demist outlet	1	1	1	1	1	1
B853G	Grommet-heater hose	2	2	2	2	2	2
B387	'Take off' union	0	1	1	1	0	0
B589B	Outlet plate-rear cylinder head	0	1	1	1	0	0
B847	Heater tap	1	1	1	1	1	1
B849S	Switch-heater 3 speed	1	1	1	1	1	1



B849D/E



B847



B387



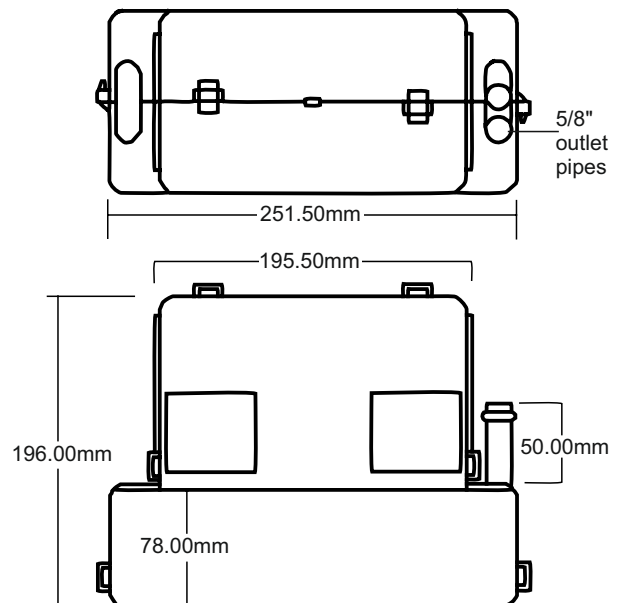
B853G



B849S



B589B





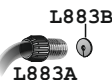
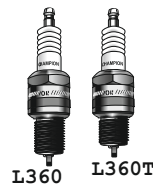
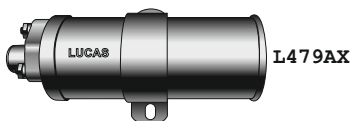
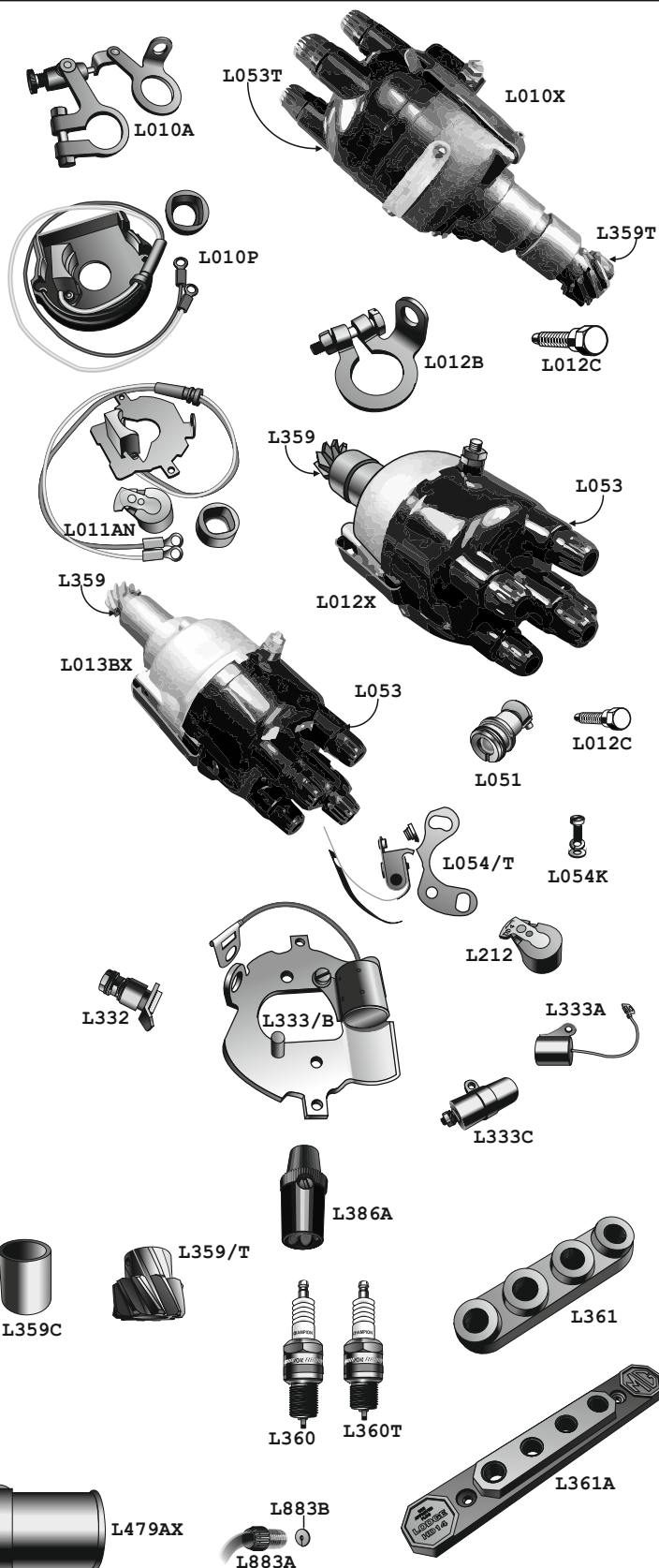
Ignition



All models were originally positive earth, but we can supply electronic distributors and conversions in negative if required.
 Conversion kits for electronic ignition are fitted out of sight inside original distributor & supplied with full diagram & fitting instructions.

		TA	TC	TD	TF	YA	YB
L010A	Micro adjuster-distrib+TB	1	1	0	0	0	0
L010N	Electronic ignition kit (neg)	1	0	0	0	0	0
L010P	Electronic ignition kit (pos)	1	0	0	0	0	0
L010X	Distributor-DK4A exchange	1	0	0	0	0	0
L011	Electronic ignition kit (pos)	0	1	0	0	0	0
L011A	Electronic ignition kit (pos)-late	0	0	1	1	0	0
L011AN	Electronic ignition kit (neg)-late	0	0	1	1	0	0
L011N	Electronic ignition kit (neg)	0	1	0	0	0	0
L012B	Clamp - dist DKY4A	0	0	1	0	1	0
L012C	Lock bolt-DKY4A distributor+TB+YT	0	1	1	0	1	0
L012EX	Distrib - DKY4A elect conv +TB	0	1	1*	0	1	1*
L012S	Distributor-Lucas replacement + YT	0	1	1*	0	1	0
L012X	Distributor-DKY4A exchange+TB+YT0	1	1*	0	1	0	0
L013BX	Distributor-D2A exchange	0	0	1	1	0	1
L013EX	Distributor-D2A exchange	0	0	1	1	0	1
L013S	Distributor-Lucas replacement	0	0	1**	1	1	1
L051	Ignition warning lamp+TB+YT	1	1	1	0	0	0
L053	Distributor cap	0	1	1	1	1	1
L053T	Distributor cap	1	0	0	0	0	0
L054	Points-contact breaker	0	1	1	1	1	1
L054T	Points-contact breaker	1	0	0	0	0	0
L054K	Screw set - contact breaker points	1	1	1	1	1	1
L212	Rotor arm+TB	1	1	1	1	1	1
L332	Terminal-low tension	1	1	1	1	1	1
L333	Condenser + baseplate	0	1	1	0	1	0
L333A	Condenser (replacement)	1	1	1	1	1	1
L333B	Condenser + baseplate	0	0	1**	1	0	1
L333C	Condenser - original solder on type	1	1	1	1	1	1
L333T	Base-distributor	1	0	0	0	0	0
L344A	H.T lead+spark plug cap set	1	1	1	1	1	1
L358B	Cotter pin-distributor	0	0	1	1	0	1
L359	Gear-distributor	0	1	1	1	1	1
L359AA	Pin-distributor drive gear	1	1	1	1	1	1
L359BB	Washer-distributor shaft	1	1	1	1	1	1
L359C	Bush-distributor-top/bottom+TB	0	1	1	0	1	0
L359T	Gear-distributor	1	0	0	0	0	0
L360	Spark plug 3/4" reach	0	0	4	4	0	4
L360T	Spark plug 1/2" reach	4	4	4	0	4	0
L361	Holder-spark plugs	1	1	1	1	1	1
L361A	Plug holder 'MG' 4 cylinder	1	1	1	1	1	1
L386A	Spark plug cap-set 4	1	1	1	1	1	1
L419	H.T. cable black (per metre)	5	5	5	5	5	5
L419A	Separator-HT leads	1	1	1	1	1	1
L449	Coil-sports replacement	1	1	1	1	1	1
L449S	Sports coil - high output	1	1	1	1	1	1
L479	Coil (replacement)	1	1	1	1	1	1
L479AX	Coil-original +TB	1	1	0	0	1	0
L883	Plastic nut-distributor cap	5	5	5	5	5	5
L883A	Plastic nut-HT coil lead	1	1	1	1	1	1
L883B	Washer-high tension cable	5	5	5	5	5	5

* = early
 ** = late



Flashing Indicator Systems and Updates

TA/TB Except for Tickford bodied models, no indicator system was fitted. USA export YT and late TC were originally fitted with flashing indicators which used two relays to operate extra red rear lamps not fitted to home market versions. These relays and lamps are no longer available. YA and YB used semaphore trafficators which, although are still legal are often considered somewhat unsafe as they are not familiar to present day road users. We can supply replacement parts for these, and some owners like to retain them for period appeal as well as fitting a flashing system.

TA TB TC

We recommend the fitting of twin filament bulb holders to the front side lamps, and similar style lamps L467R to each side of the fuel tank end plates. These have amber bulbs but clear glass lenses and are therefore unobtrusive except when flashing. The wiring for this is quite simple as it can be independent of the wiring loom. We offer a simple switch which can be fitted out of sight under the dashboard.

YA YB & YT

These models can use the twin filament bulb holders in the side lamps, and for the rear we offer a pair of small stalk mounted lamps L447L that can be fitted to the bumper support brackets.

TD/TF

Export model TDs and all TFs used the 8-post relay L385 and flasher unit L385A enabling the tail lamps to act as indicators as well as stop and tail lamps, the stop light flashing when turning in the relevant direction. The front side lamps contained twin filament bulbs, the 21w filament used for flashing. This system was quite common in the 1950s and is still legal and can be retro fitted in order to avoid the unsightly "amber blisters" sometimes seen. If a more updated arrangement is preferred for the rear, stalk lamps L447L can be fitted to the bumper brackets.

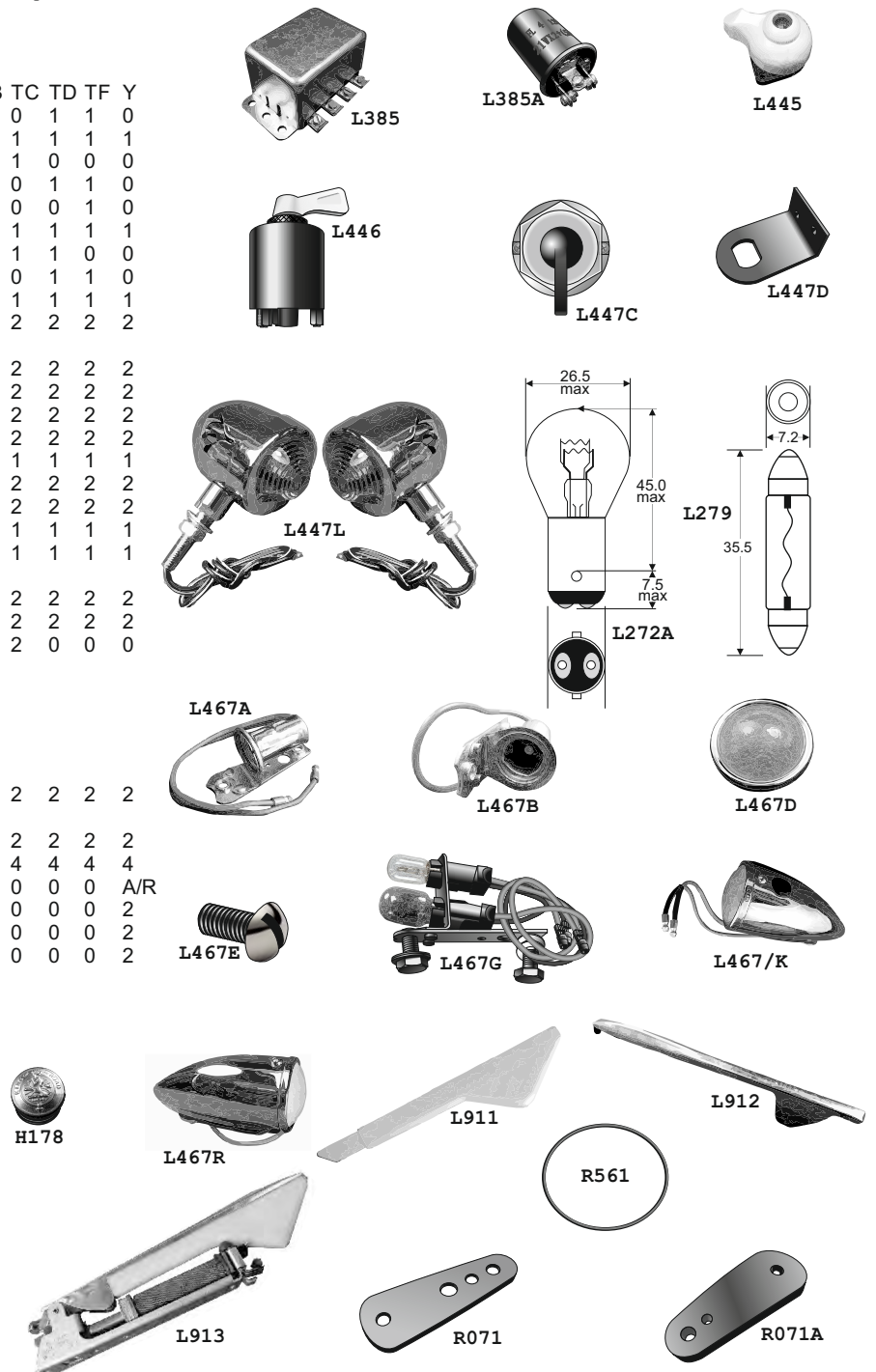
Parts for Flashing Indicators & Conversions

	TA	TB	TC	TD	TF	Y
L385 Relay -indicators	0	0	0	1	1	0
L385A Flasher unit- indicators	1	1	1	1	1	1
L445 Switch-indicator	1	1	1	0	0	0
L446 Indicator switch with lever	0	0	0	1	1	0
L447A Lever-indicator switch	0	0	0	0	1	0
L447C Indicator switch replacement	1	1	1	1	1	1
L447D Bracket-indicator lever	1	1	1	1	0	0
L447E Screw-indicator lever	0	0	0	1	1	0
L447L Stalk flasher lamp (pr)	1	1	1	1	1	1
L467 Side lamp complete-chrome	2	2	2	2	2	2
<i>(complete with clear twin filament bulbs)</i>						
L467A Bulb holder-side lamp twin	2	2	2	2	2	2
L467B Bulb holder-side lamp single pole	2	2	2	2	2	2
L467D Glass/chrome rim-side lamp	2	2	2	2	2	2
L467E Chrome screw-side lamp	2	2	2	2	2	2
* L467G Bulb holder amber/clear (pr)	1	1	1	1	1	1
L467GY Clear bulb-L467 conversion	2	2	2	2	2	2
L467GZ Amber bulb-L467 conversion	2	2	2	2	2	2
L467K Side lamp complete conversion (pr)	1	1	1	1	1	1
L467R Torpedo rear indicator lamps (pr)	1	1	1	1	1	1
R561 Seal-side lamp rim	2	2	2	2	2	2
* R071 Pad-side lamp base upper	2	2	2	2	2	2
R071A Pad-side lamp base lower	2	2	2	0	0	0

* uses small separate amber & clear bulbs

Parts for Y-Type Semaphore Trafficators

H178 Red dot motif - side lamp	2	2	2	2	2	2
L272A Bulb-side lamp-twin filament	2	2	2	2	2	2
L274 Bulb-stop/tail or side-twin filament	4	4	4	4	4	4
L279 Bulb-trafficator/interior light	0	0	0	0	0	A/R
L911 Orange lens-trafficator	0	0	0	0	0	2
L912 Chrome cover-trafficator	0	0	0	0	0	2
L913 Trafficator-reconditioned	0	0	0	0	0	2

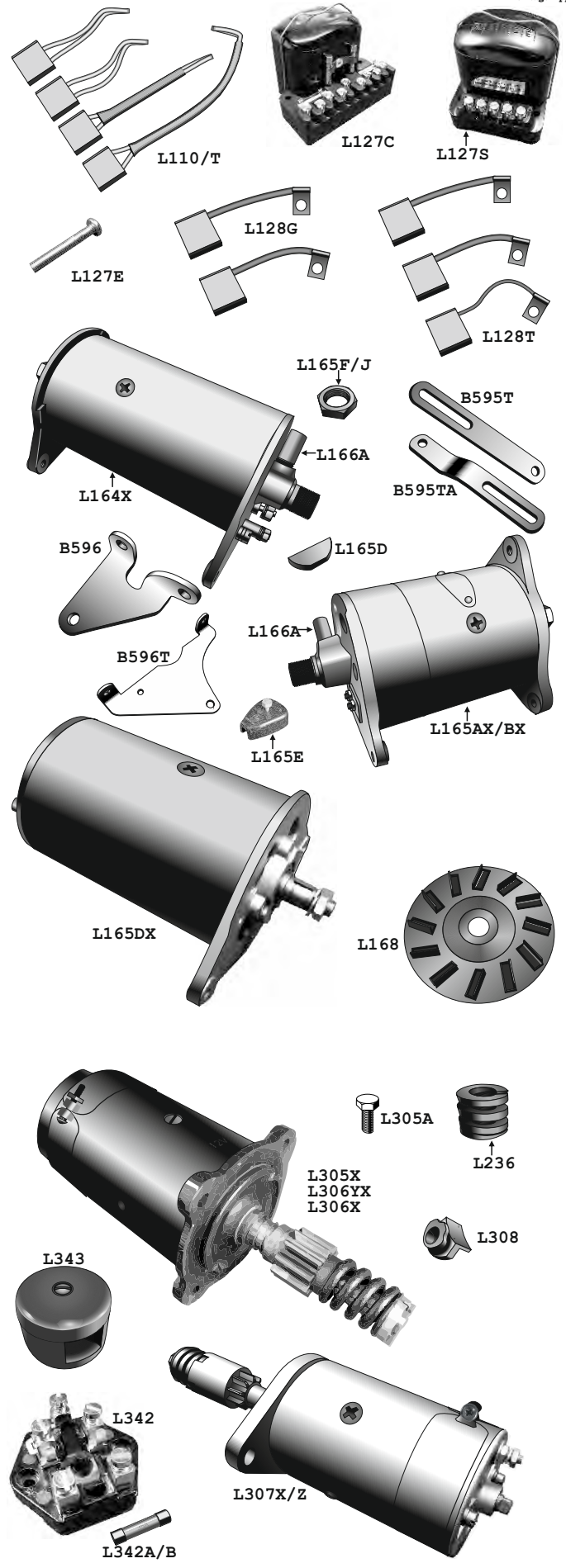




British Motor Heritage Approved

Starter & Generator

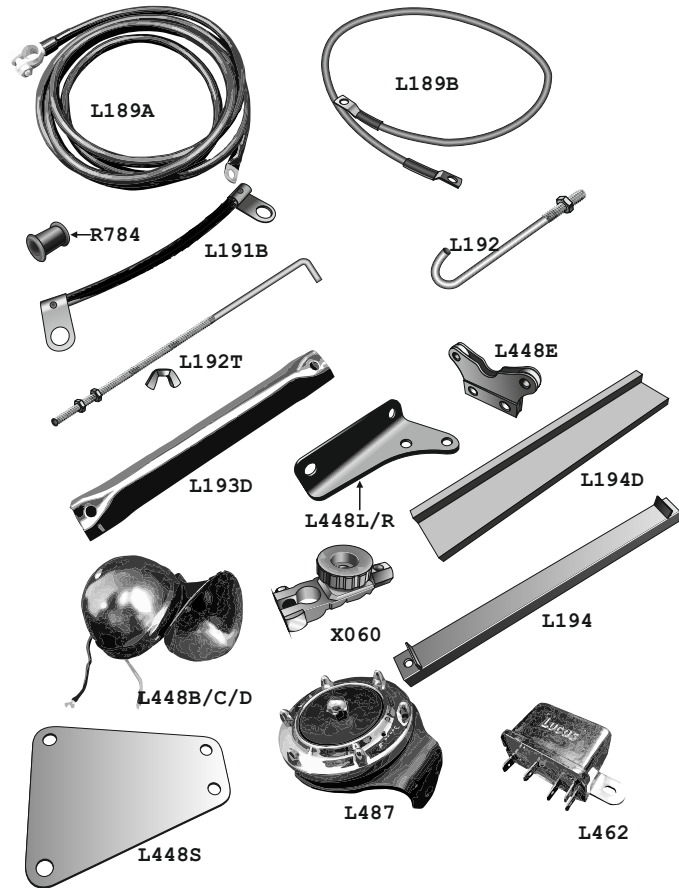
		TA	TC	TD	TF	YA	YB	YT
B595T	Strap-dynamo +TB	0	1	0	0	1	0	1
B595TA	Strap-dynamo	1	0	0	0	0	0	0
B596	Bracket-dynamo rear +TB	0	1	1	1	1	1	1
B596T	Bracket-dynamo rear	1	0	0	0	0	0	0
L110	Brush set-starter	0	0	1	1	0	1	1
L110T	Brush set-starter	1	1	0	0	1	0	1
L127B	Regulator RF91 to chassis 3414	0	1	0	0	0	0	0
L127C	Regulator-9 post (RF95)	0	1	1	0	1	0	1
L127E	Screw - regulator to bulkhead	0	0	2	2	0	0	0
L127S	Regulator-5 post	0	0	1	1	0	1	0
L127XT	Regulator-3 brush-exch+TB	1	0	0	0	0	0	0
L128	Brush set-dynamo-C39	0	0	1	1	0	1	0
L128G	Brush set-dynamo-(C40 repl)	0	0	1	1	0	1	0
L128T	Brush set-dynamo+TB	1	0	0	0	0	0	0
L128C	Brush set-dynamo	0	1	0	0	1	0	1
L164X	Dynamo-recond-exchange	0	0	1	1	0	0	0
L165AX	Dynamo-recond-exchange+TB	1	0	0	0	0	0	0
L165BX	Dynamo-recond-exchange	0	1	0	0	0	0	1
L165CX	Dynamo-recond-exchange	0	0	0	0	1	0	0
L165D	Woodruff key-dynamo +TB	1	1	0	0	1	0	1
L165DX	Dynamo-recond-exchange	0	0	0	0	0	1	0
L165E	Terminal cover-dynamo TB	1	1	0	0	1	0	1
L165EE	Terminal nut set(2) - dynamo	1	1	0	0	1	0	1
L165F	Nut-dynamo pulley TB	1	1	0	0	1	0	1
L165J	Nut-dynamo pulley	0	0	1	1	0	1	0
L165KT	Bolt & nut mount set-dynamo	0	0	1	1	0	0	0
L165N	Dynalite C39 tacho drive-neg. earth	0	0	1	1	0	0	0
L165P	Dynamator C39 tacho drv-pos. earth	0	0	1	1	0	0	0
L165ST	Dynalite C45 (negative) tacho drive	0	1	0	0	0	0	0
L165Z	Dynamo (repRO~)	0	0	1	1	0	0	0
L166A	Lubricator-dynamo	1	1	1	1	1	1	1
L167A	Pulley-dynamo	1	0	0	0	0	0	0
L167B	Pulley-dynamo TB	0	1	0	0	1	0	1
L167C	Pulley-dynamo	0	0	1	1	0	1	0
L168	Fan-dynamo	0	0	1	1	0	1	0
L168A	Pulley/fan (alloy) early	0	0	1	0	0	1	0
L236	Bendix spring-starter	0	0	1	1	0	1	0
L305A	Bolt-starter motor fixing	3	3	2	2	3	2	2
L305X	Starter motor-exchange	1	0	0	0	0	0	0
L306K	Screw set-starter switch	0	1	0	0	1	1	1
L306X	Starter motor-exchange TB	0	1	0	0	1	0	1
L306YX	Starter motor-exchange	0	0	0	0	1	0	1
L307X	Starter motor-exchange	0	0	1	1	0	1	0
L307Z	Starter motor (repro) +W4/44	0	0	1	1	0	1	0
L308	Grommet-starter motorT	0	1	0	0	1	0	1
L342	Fuse box	0	0	1	1	0	1	0
L342A	Fuse (35A)				--- A/R ---			
L342B	Fuse (50A)				--- A/R ---			
L343	Junction box	0	0	0	0	1	0	1
L471	Switch-starter	0	0	1	1	1	1	1
L471B	Bracket-starter switch	0	0	1	1	1	1	1
L471D	Coupling-starter cable	0	0	1	1	1	1	1
L471E	Rubber cover-starter switch	0	0	2	2	2	2	2
L810	Switch unit-starter motor	1	0	0	0	0	0	0
L810C	Switch unit-starter motor+TB	0	1	0	0	0	0	0
L810Y	Switch backplate-starter	0	0	0	0	1	0	1





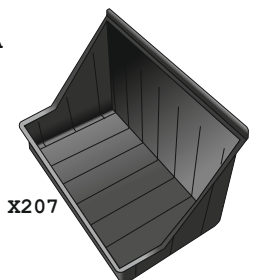
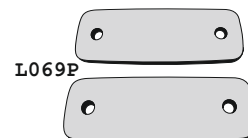
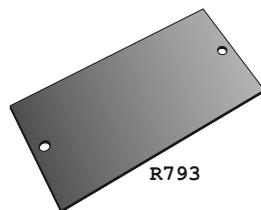
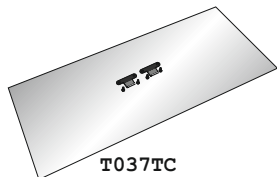
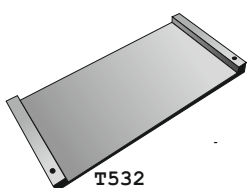
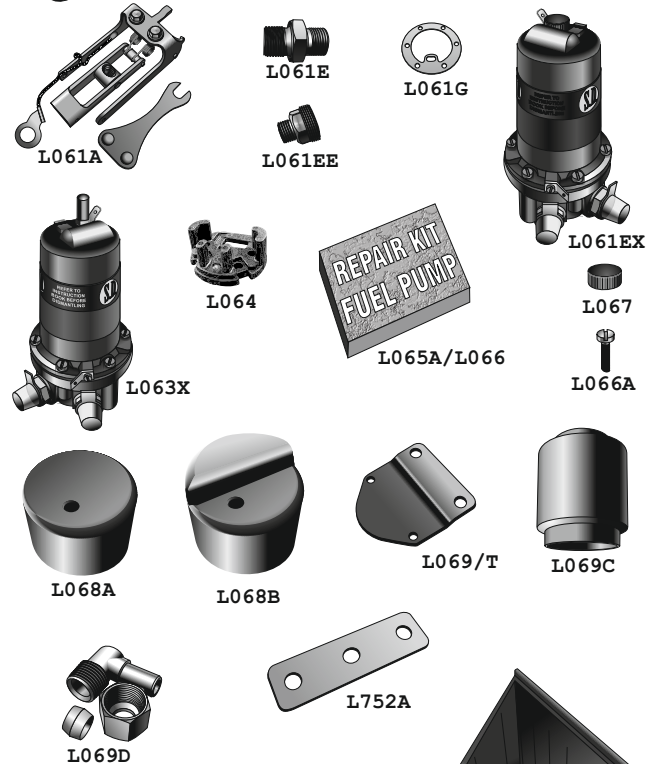
Battery

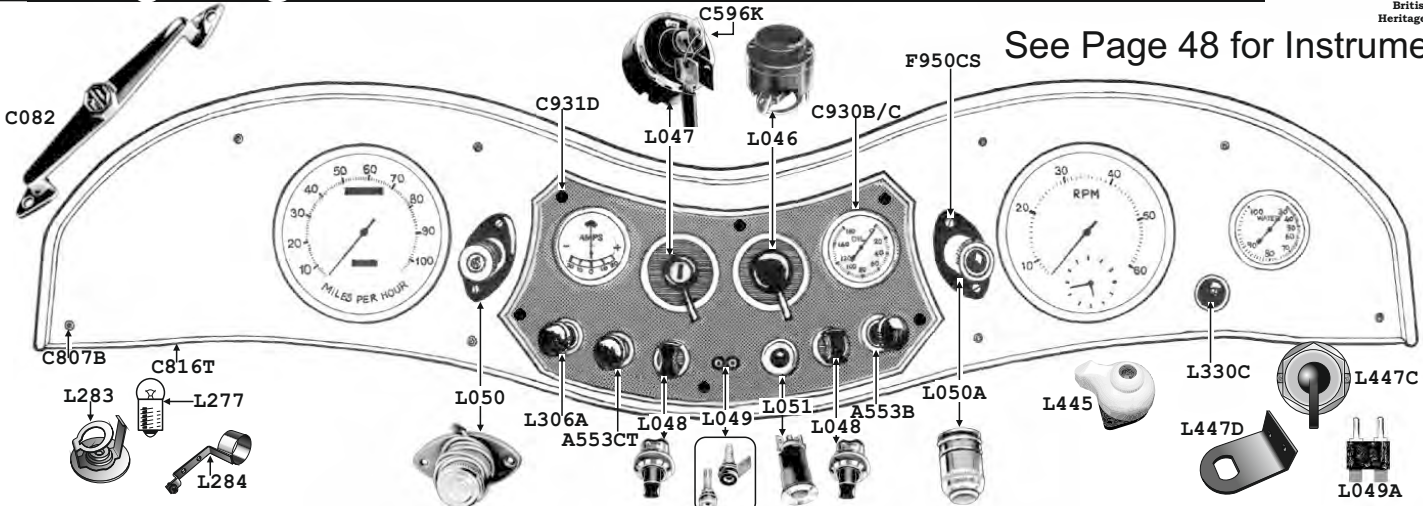
		TA	TC	TD	TF	YA	YB
L189A	Lead-battery to starter +TB	1	0	0	0	0	0
L189B	Lead-battery to starter	0	1	0	0	0	0
L189C	Loop clip-battery cable	0	1	0	0	0	0
L190	Lead-battery to switch	0	0	1	1	1	1
L190A	Lead-starter switch	0	0	1	1	1	1
L191	Lead-earth strap to battery	1	1	1	1	1	1
L191A	Lead-between batteries+TB	1	0	0	0	0	0
L191B	Lead-earth strap-engine	1	1	1	1	1	1
L192	Hook bolt-battery (pr)	0	0	1	1	0	0
L192B	Hook bolt-battery (pr)+YT	0	1	0	0	1	0
L192T	Hook bolt-battery	4	0	0	0	0	0
L193D	Clamp bar-battery	2	0	0	0	0	0
L194	Clamp bar-battery	0	0	1	1	0	0
L194A	Clamp bar-battery	0	0	0	0	1	1
L194D	Pad-battery base+TB	4	0	0	0	0	0
L199	Loop clip-battery/tach cable	1	1	1	1	1	1
L200	Battery-6v dry charged+TB	2	0	0	0	0	0
L200A	Battery-tar top-dry charged	0	1	1	1	1	1
L448B	Dome-windtone horn	0	0	2	2	0	2
L448C	Windtone horn-low note	0	0	1	1	0	1
L448D	Windtone horn-high note	0	0	1	1	0	1
L448E	Flex bracket-windtone horn	0	0	2	2	0	2
L448L	Bracket-horn LH	0	0	1	1	0	1
L448R	Bracket-horn RH	0	0	1	1	0	1
L448S	Plate - horn mount support	0	0	0	0	0	2
L462	Relay-windtone horns	0	0	1	1	0	1
L487	Horn-'Altette'	1	1	0	0	0	0
R784	Bush-cable clamp	0	A/R	0	0	0	0
X060	Battery cut-off terminal	1	1	1	1	1	1



Fuel Pump

		TA	TC	TD	TF	YA	YB
L061A	Points set-fuel pump	1	1	1	1	1	1
L061BB	Filter-fuel pump	1	1	1	1	1	1
L061BC	Washer-filter-fuel pump	1	1	1	1	1	1
L061D	Diaphragm-fuel pump H/P	0	0	0	1	0	0
L061E	Union-fuel pump inlet	1	1	1	1	1	1
L061EE	Outlet union-fuel pump	1	1	1	1	1	1
L061EX	Fuel pump-solid state L/P	1	1	1	1	1	1
L061G	Gasket-fuel pump body	1	1	1	1	1	1
L061X	Fuel pump-SU L/P exchange	1	1	1	1	1	1
L063EX	Fuel pump-solid state H/P	0	0	0	1	0	0
L063X	Fuel pump-SU H/P exchange	0	0	0	1	0	0
L064	Pedestal-fuel pump	1	1	1	1	1	1
L065A	Repair kit-low press pump	1	1	1	1	1	1
L066	Repair kit-high press pump	0	0	0	1	0	0
L066A	Screw-fuel pump body	6	6	6	6	6	6
L067	Terminal knob-fuel pump	1	1	1	1	1	1
L068A	End cap-low press pump	1	1	1	1	1	1
L068B	End cap-H/P pump (rear mount)	0	0	0	1	0	0
L069	Bracket-fuel pump L/P	0	0	1	1	1	1
L069B	Mount kit-fuel pump H/P (rear mount)	0	0	0	1	0	0
L069C	Cover-fuel pump H/P (rear mount)	0	0	0	1	0	0
L069D	Right angle union-fuel pump	1	1	1	1	1	1
L069P	Pad set-fuel pump mount	0	0	1	1	1	1
L069T	Bracket kit-fuel pump mount	0	0	1	1	1	1
L752A	Plate-fuel pump mount	0	0	1	1	1	1
R793	Pad-battery box	0	1	0	0	1	1
T037TC	Battery box lid	0	1	0	0	0	0
T532	Battery tray	0	0	1	1	0	0
X207	Battery box liner	0	0	1	1	0	0

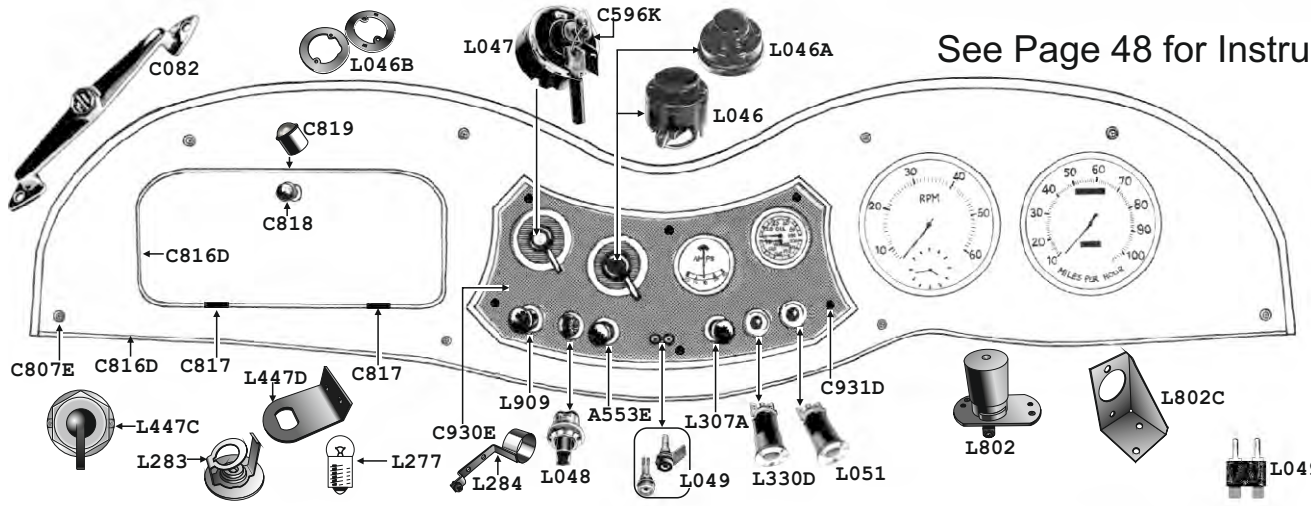




See Page 48 for Instruments

	TA	TB	TC
A553B	1	1	1
A553CT	1	1	1
A813	1	1	0
C082	1	1	1
C596K		A/R	
C807B	1	1	1
C816K	1	1	1
C816T	1	1	1
C930B	1	1	1
C930C	0	0	1
<i>(1949 model only)</i>			
C931D	6	6	6
F950CS	4	4	4
L046	1	1	1
L046B	1	1	1
L047	0	0	1
L047R	0	0	1
L047T	1	1	0
L048	2	2	2
L049	1	1	1

	TA	TB	TC
L049A	1	1	1
L050	1	1	1
L050A	1	1	1
L051	1	1	1
L051AA	1	1	1
L051R	1	1	1
L277		-	A/R-
L283	6	6	6
L284	4	4	4
L306A	1	1	1
L445	1	1	1
L447C	1	1	1
L447D	1	1	1
L330C	0	0	1
T523C	0	0	1
<i>(1949 only)</i>			
W931A	1	1	1
W931W	1	1	1
X107C	1	1	1
XDP1		-	A/R-



See Page 48 for Instruments

	TD
A553E	1
C082	1
C596K	A/R
C807E	1
C816D	1
C816K	1
C817	2
C818	1
C819	1
C930E	1
C931D	6
J081	1
L046	1
L046A	1
L046B	1
L047	1
L047R	1
L048	1/2
L049	1

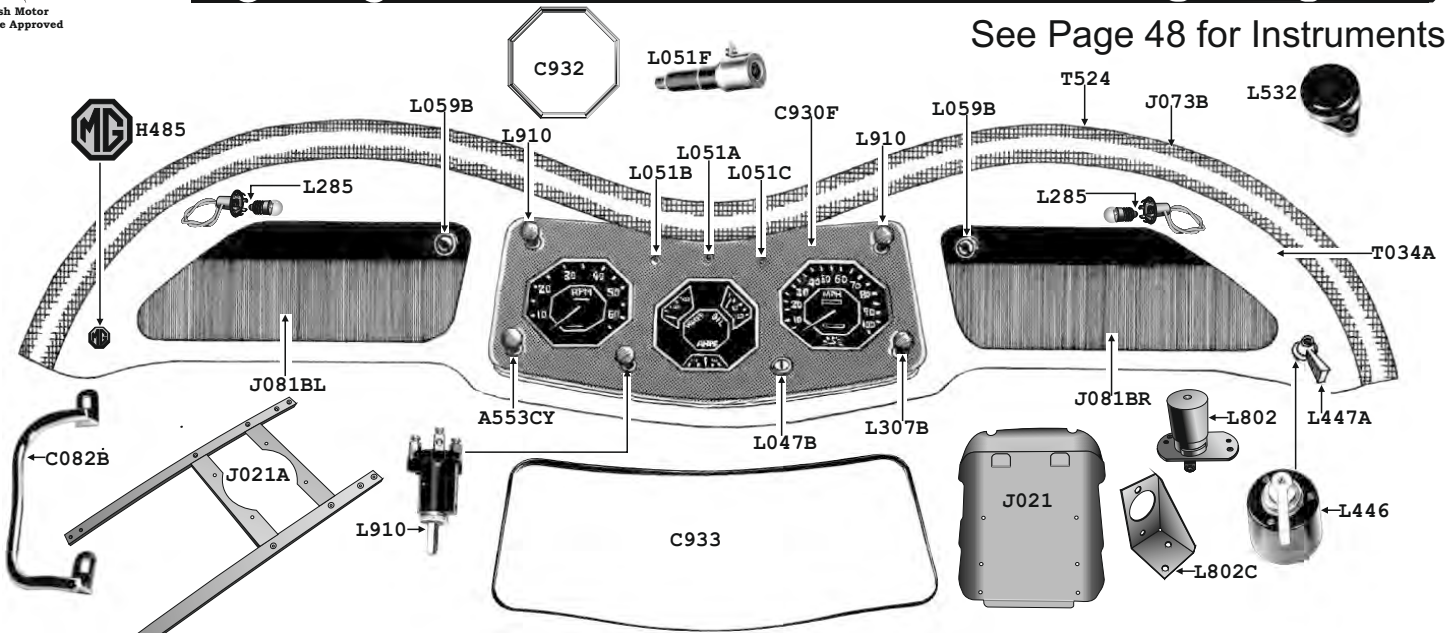
	TD
L049A	1
L051	1
L051R	1
L051G	1/2
★ L277	A/R
★ L283	6
★ L284	4
L307A	1
L330D	1/2
L447C	1
L447D	1
L802	1
L802C	1
L909	1
L909A	1
T523A	1
T523B	1
X107D	1
X107E	1
XDP1	AR

Note: Late TD with rheostat switch only uses one.

★ early

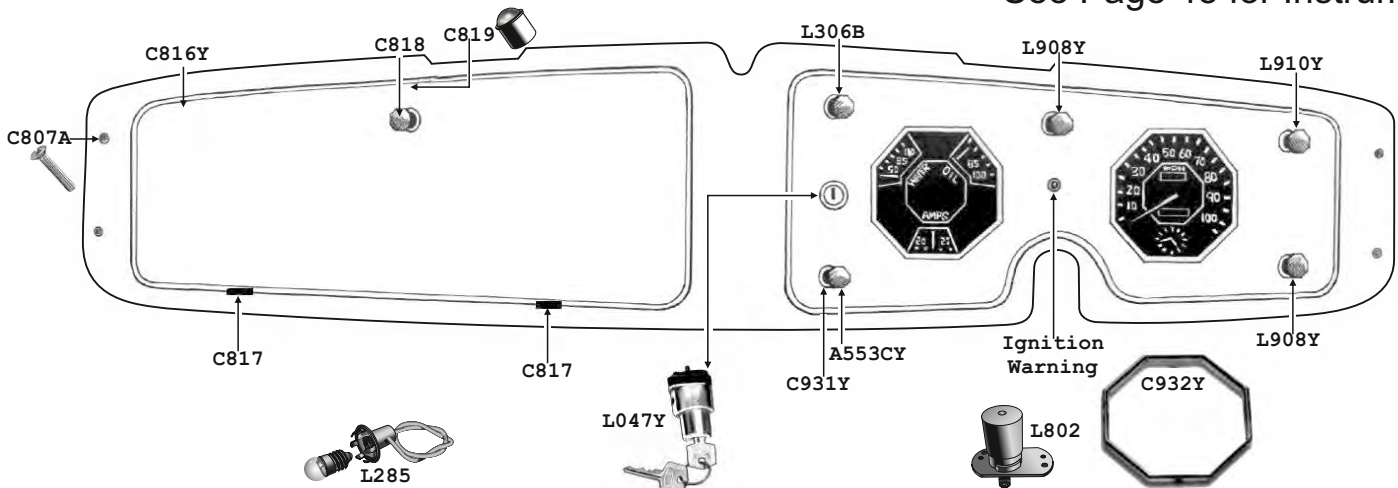


See Page 48 for Instruments

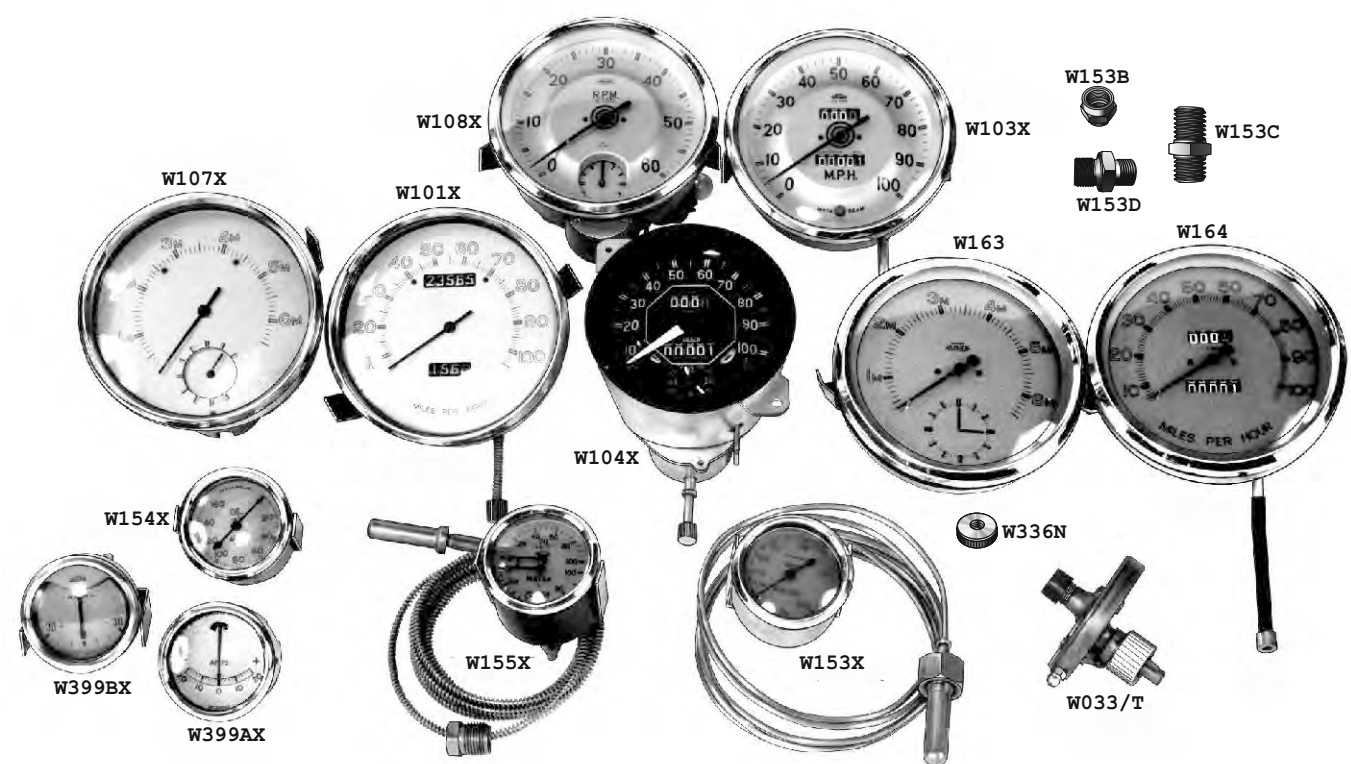


A553C	Cable-choke	TF	1	L051B	Lens-blue-fuel warning lamp	TF	1
C082B	Grab handle-chrome RHD		1	L051C	Lens-green-turn signal warning lamp		1
C082C	Grab handle-chrome LHD		1	L059B	Knob-wiper control		2
C930F	Centre panel-unpainted		1	L285	Bulb holder- map light		2
C931B	Chrome ring-ignition switch		1	L307B	Cable-starter		1
C932	Bezel-instrument surround-chrome		3	L330F	Lamp-fuel warning-blue (complete)		1
C933	Outer rim-instrument panel-chrome		1	L446	Indicator switch with knob		1
				L447A	Handle-turn signal switch		1
H485	'MG' badge		1	L450	Warning light with 3 coloured lenses		3
J021	Under dash panel		1	L532	Horn button		1
J021A	H frame - under dash panel		1	L802	Dipswitch-floor mount		1
J073B	Foam-dash rail		1	L802C	Bracket - dipswitch		1
J079	'T' bolt-trim rail		6	L910	Switch-lighting/panel/foglamp		3
J081A	Upper liners-glove box (pr)		1	L910A	Knob set-switches		1
J081BL	Metal casing-glove box LH		1	T034A	Dashboard panel-uncovered		1
J081BR	Metal casing-glove box RH		1	T524	Trim rail-surround (uncovered)		1
L047B	Switch + barrel/key-ignition		1	X107F	Dshbrd panel-walnut veneered (optional)		1
L051A	Lens-red-ignition warning lamp		1				

See Page 48 for Instruments



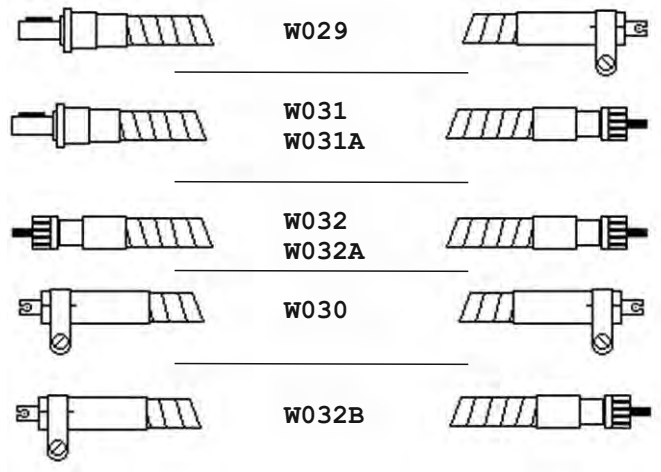
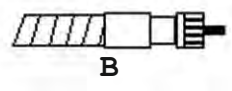
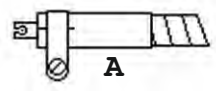
A553CY	Cable-choke	YA	YB	L047Y	Switch+barrel/key-ignition	YA	YB
C807A	Screw	4	4	L285	Bulb holder-panel lamps	4	4
C816Y	Chrome strip set	1	1	L306B	Cable-starter	1	1
C817	Hinge-glove box	1	1	L802	Dipswitch-floor mount	1	1
C818	Knob-glove box	1	1	L908Y	Switch-panel/foglamp	2	2
C819	Ball catch-glove box	1	1	L910Y	Switch-lighting	1	1
C931Y	Bezel-dashboard switches	6	6	X150	Dashboard-walnut RHD	1	1
C932Y	Bezel-instrument surround-chrome	3	3	X151	Dashboard-walnut LHD	1	1

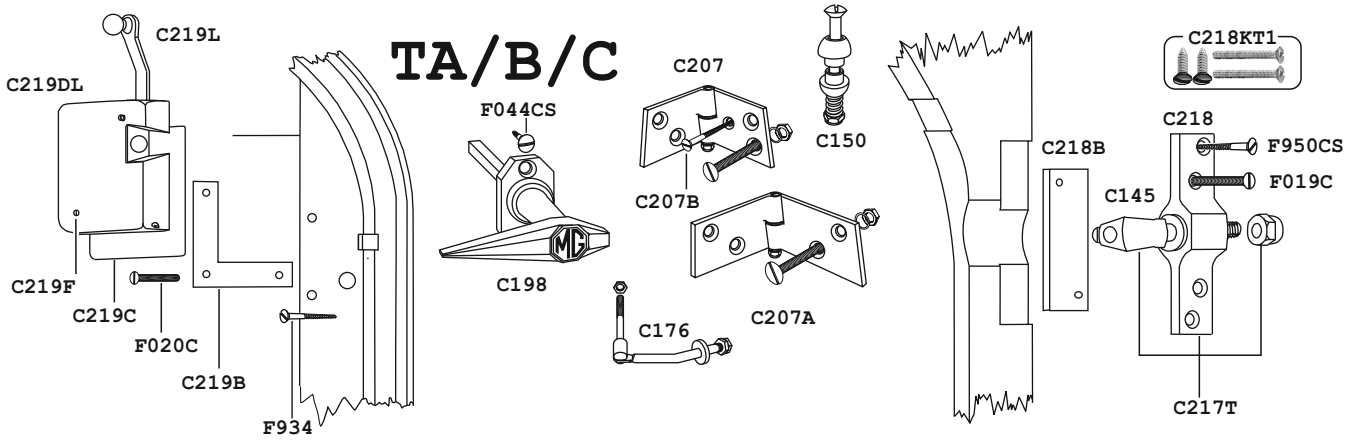
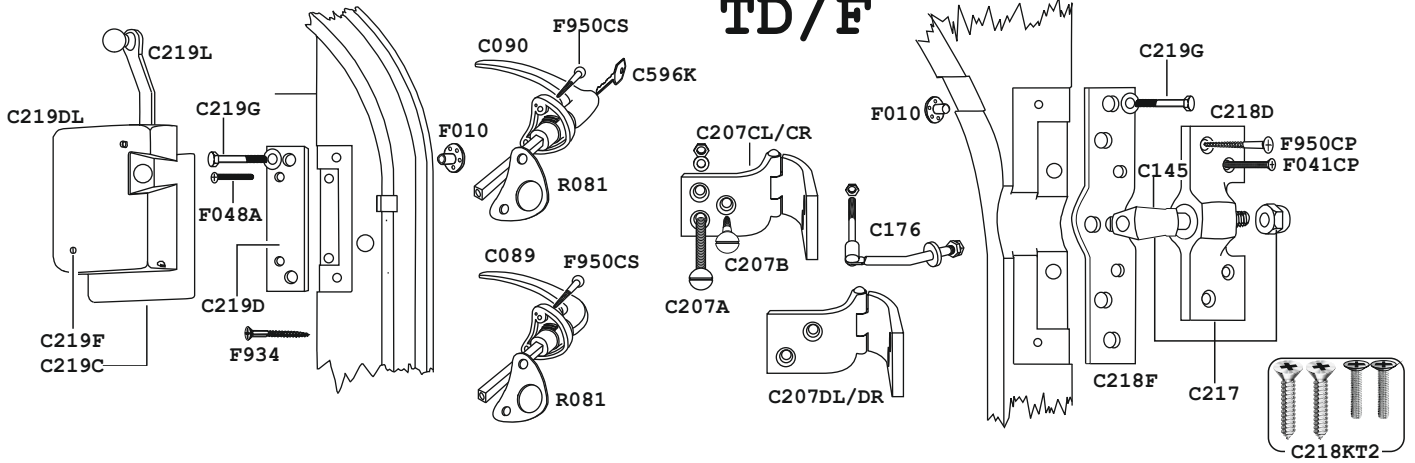


	TA	TC	TD	TF	YA	YB		TA	TC	TD	TF	YA	YB
W029 Speedo cable+TB	1	0	0	0	0	0	W107X Tacho + clock (exchange)	0	1	1	0	0	0
W030 Tacho cable+TB	1	0	0	0	0	0	(TD to chassis 10750)						
W031 Speedo cable	0	1	1	0	0	0	W108A Clock-tacho (exchange)	0	0	1	0	0	0
W031A Speedo cable+LHD YT	0	1	1	0	0	0	(dished dial chassis 10751 on)						
W031AF Speedo cbl+YT RHD only	0	0	0	1	0	0	W108X Tacho+clock (exchange)	0	0	1	0	0	0
W031AL Speedo LHD	0	1	1	0	0	0	(dished dial chassis 10751 on)						
W031AY Speedo RHD	0	0	0	0	1	1	W109X Tacho (exchange)	0	0	0	1	0	0
W031BY Speedo LHD	0	0	0	0	1	1	W153A Adaptor-temp sender+TB	1	1	1	0	0	0
W032 Tacho cable+YT	0	1	1	1	0	0	W153B Adaptor - temp sender 3/8 BSP m/f	1	1	1	0	0	0
W032A Tacho cable+YT	0	1	1	1	0	0	W153C Adaptor - temp sender 3/8 BSP m/m	1	1	1	0	0	0
W032B Tacho cable with A+B drive(see note below)							W153D Adapter - temp sender 5/8" m/f	1	1	1	0	0	0
W033 Reduction gearbox +YT	0	1	1	1	0	0	W153X Water temp gauge (exch)+TB	1	1	1	0	0	0
W033T Reduction gearbox +TB	1	0	0	0	0	0	W153XF Water temp gauge (exchange)	0	0	0	1	0	0
W033A Connector assy-for above*	1	1	1	1	1	1	W154D Face only-oil press+TB	1	1	1	0	0	0
* (included with W033 & W033T)							W154X Oil pressure (exchange)+TB+YT	1	1	0	0	0	0
W100A Bezel-speedo+TB/tacho+YT	2	2	2	0	0	0	W155X Oil/water-dual (exchange)	0	0	1	0	0	0
(TD to chassis 10750)							W156X Fuel gauge (exchange)	--	YT Only	--			
W100B Glass-convex tacho/speedo+TB,YT	2	2	2	0	0	0	W163 Tacho-replica+TB	1	1	1	0	0	0
W101X Speedo (exchange)+TB	1	0	0	0	0	0	(TD to chassis 10750)						
W102X Speedo (exchange)+YT	0	1	1	0	0	0	W164 . Speedo-replica+TB	1	1	1	0	0	0
(TD to chassis 10750)							(TD to chassis 10750)						
W103X Speedo (exchange)	0	0	1	0	0	0	W165X Oil temp (exchange)+TB	1	1	1	0	0	0
(dished dial chassis 10751 on)							W336N Knurled nut-speedo,tacho	4	4	4	4	4	4
W104X Speedo+clock (exchange)	0	0	0	1	0	0	W399X Ammeter (exchange)+TB+YT	1	1	1	0	0	0
W105X Speedo+clock (exchange)	0	0	0	0	1	1	W489 Clamp-small gauges+TB	2	2	2	0	0	0
W106X Tacho+clock (exchange)+TB	1	0	0	0	0	0	W848 Clamp-large gauges+TB	2	2	2	0	0	0
							W931 Decal set-instrument panel+TB	1	1	1	0	0	0

SPEEDO & TACHOMETER DRIVES: TA/B MODELS

Original TA/B speedometers & tachometers use cable attachments by a small screw (A). Reproduction instruments use a square drive (B). If using TC Instruments or reproduction speedo W164 on a TA/B, use W031/W031A. New tacho drive gearboxes (W033/W033/T) also use square drive, so use W032/W032A with W163, or W032B replacement cable with W163 and original gearbox.





Bright Work

	TA	TB	TC	TD	TF
C089 Door handle-plain	0	0	0	2	2
C090 Door handle-locking (option)	0	0	0	1	1
C145 Wedge+nut-door striker	2	2	2	2	2
C150 Hinge pin assembly	4	4	4	0	0
C198L Door handle LH	1	1	1	0	0
C198R Door handle RH	1	1	1	0	0
C218 Plate-striker	2	2	2	0	0
C218D Plate-striker	0	0	0	2	2
C219DL Cover-door lock LH	1	1	1	1	1
C219DR Cover-door lock RH	1	1	1	1	1
C219G Screw-door lock	2/4	2/4	2/4	2/4	2/4
C219L Door lock-complete LH	1	1	1	1	1
C219R Door lock-complete RH	1	1	1	1	1

Hinges & Plates

	TA	TB	TC	TD	TF
C176 Door check	2	2	2	2	2
C207 Door hinge (set 4) w/screws	1	1	1	0	0
C207CL Door hinge-top LH	0	0	0	1	1
C207CR Door hinge-top RH	0	0	0	1	1
C207DL Door hinge-bottom LH	0	0	0	1	1
C207DR Door hinge-bottom RH	0	0	0	1	1
C217 Striker plate & wedge	0	0	0	2	2
C217T Striker plate & wedge	2	2	2	0	0

	TA	TB	TC	TD	TF
C218B Fixing plate-striker	2	2	2	0	0
C218F Fixing plate-striker	0	0	0	2	2
C218KT1 Fixing kit-door striker	2	2	2	0	0
C218KT2 Fixing kit-door striker	0	0	0	2	2
C219B Plate-door lock to body	2	2	2	0	0
C219C Shim 1/16" lock adjusting	--	A/R	--	--	--
C219D Plate-door lock to body	0	0	0	2	2
C596K Key-state MRN/FP/FA+number	--	A/R	--	--	--
R081 Gasket-door handle	0	0	0	2	2

Fixings

	TA	TB	TC	TD	TF
C207A Bolt+nut-door hinge	16	16	16	16	16
C207B Woodscrew-door hinge	4	4	4	2	2
C219F Screw set-lock cover	1	1	1	1	1
C219G Woodscrew-door lock	4	4	4	4	4
F010 T-Nut-screw locating	0	0	0	8	8
F019C Screw 3/16" CSK slotted chrome	--	AR	--	--	--
F020C Screw 3/16" Whitworth slt chrome	6	6	6	6	6
F041CP Machine screw-2BA 3/4" chrome Pozi	0	0	0	4	4
F048A Wood screw-brass	0	0	0	4	4
F950CP Wood screw-chrome (Pozi)	0	0	0	10	10
F950CS Wood screw-chrome (slotted)	4	4	4	0	0



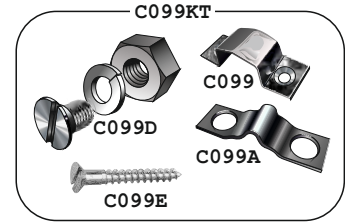
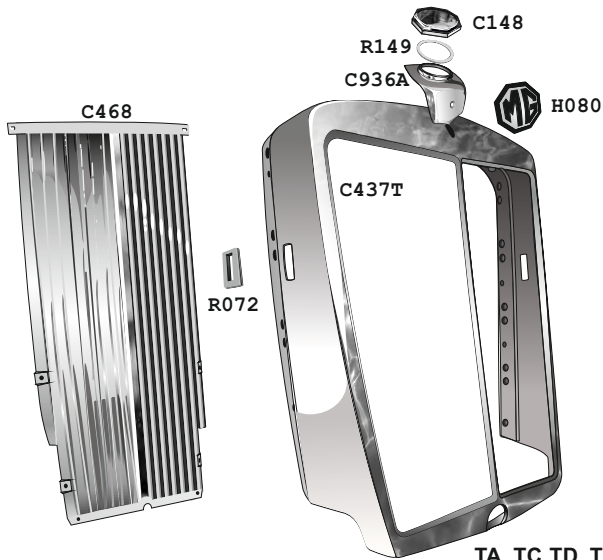
C089



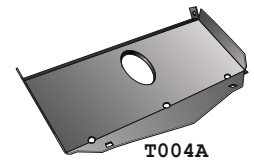
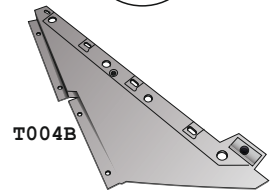
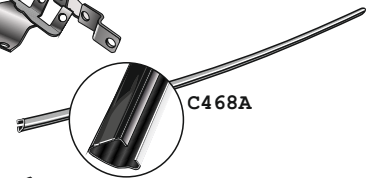
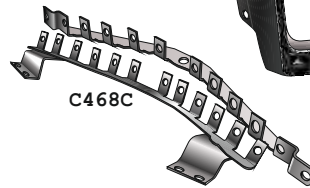
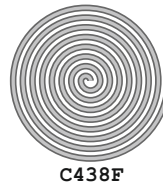
C198



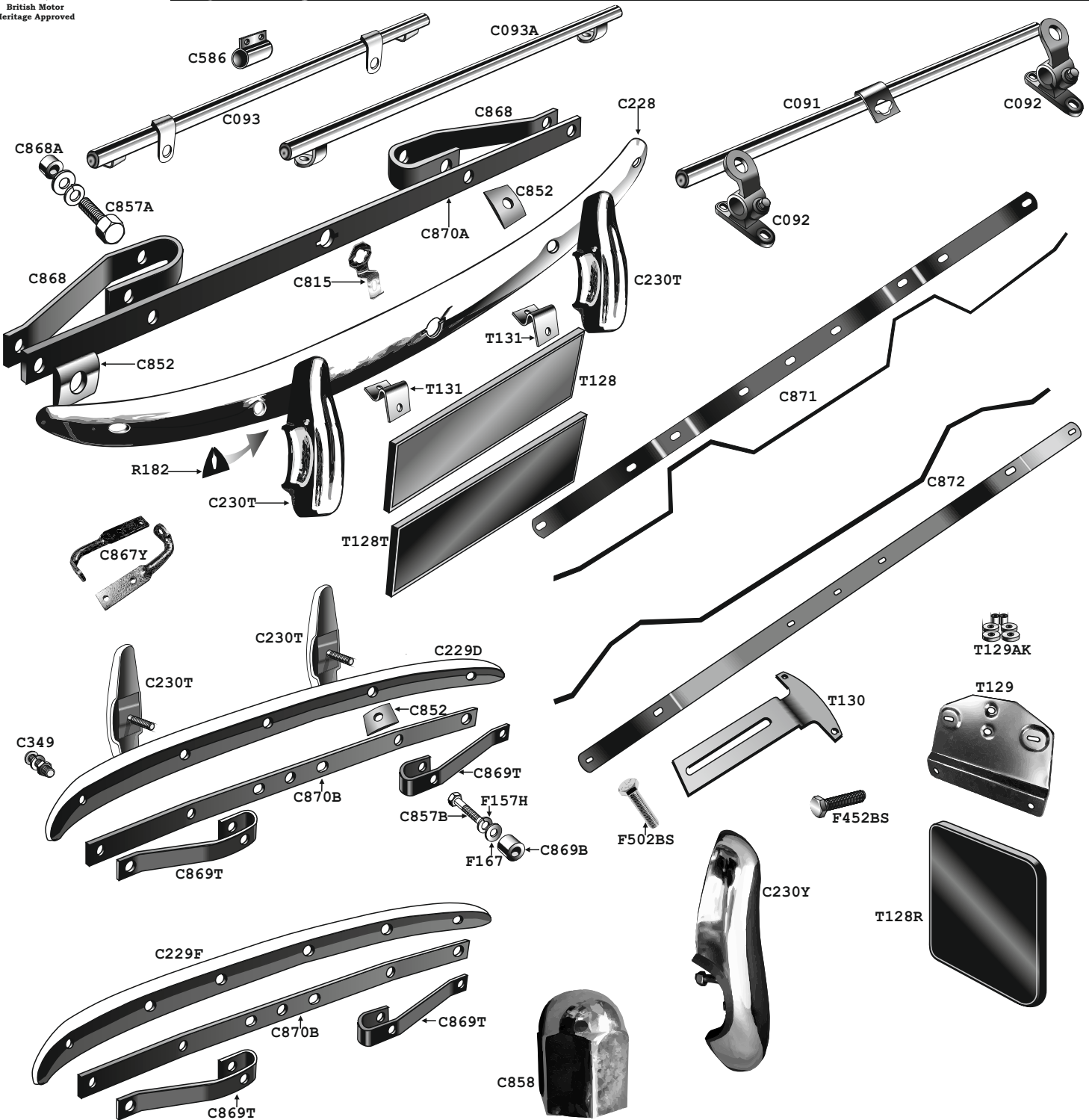
Radiator Shell - T&Y Type



		TA	TC	TD	TF	Y
C099	Hinge support outer	2	2	2	2	0
C099A	Hinge support inner	2	2	2	2	0
C099B	Bonnet hinge support front	0	0	0	0	1
C099C	Clip bonnet hinge rear	0	0	0	0	1
C099D	Screw+nut bonnet bracket	2	2	2	2	0
C099E	Screw bonnet hinge bracket	2	2	2	2	0
C099KT	Bonnet hinge fixing kit	1	1	1	1	0
C148	Radiator cap	1	1	1	0	1
C222	Bonnet hinge strip	1	1	1	1	0
C437C	Nut & bolt - radiator shell	10	10	10	10	10
C437T	Radiator shell + nose	1	1	1	0	1
C437TF	Radiator shell + nose	0	0	0	1	0
C437Y	Radiator Shell + nose	0	0	0	0	1
C438	Bonnet rest tape front	1	1	1	1	1
C438F	Bonnet rest rubber - front	0	0	0	1	0
C468	Radiator slat set	1	1	1	0	0
C468A	Radiator single slat	0	0	0	12	0
C468B	Clip - radiator slat	0	0	0	24	0
C468D	Screw - grille slat	---AR---				
C468C	Grille Finger set - top & bottom	0	0	0	1	0
C468Y	Radiator single slat	0	0	0	0	22
C468YY	Radiator slat assembly complete	0	0	0	0	1
C497	Bolt+nut lamp bracket	2	2	2	0	0
C810	Bracket radiator side	2	2	2	0	0
C936	Dummy radiator cap	0	0	0	1	0
C936A	Radiator plinth false nose	1	1	1	0	0
C936D	Radiator false nose	0	0	0	1	0
C936Y	Radiator false nose	0	0	0	0	1



		TA	TC	TD	TF	Y
H080	Grille badge "MG"	1	1	1	0	1
H080A	Grille badge "MG"	0	0	0	1	0
R072	Grommet rad shell + reserve tap	3	3	3	0	0
R149	Seal radiator cap	1	1	1	0	1
T004A	Duct panel radiator	0	0	0	1	0
T004B	Side plates radiator pair	0	0	0	1	0



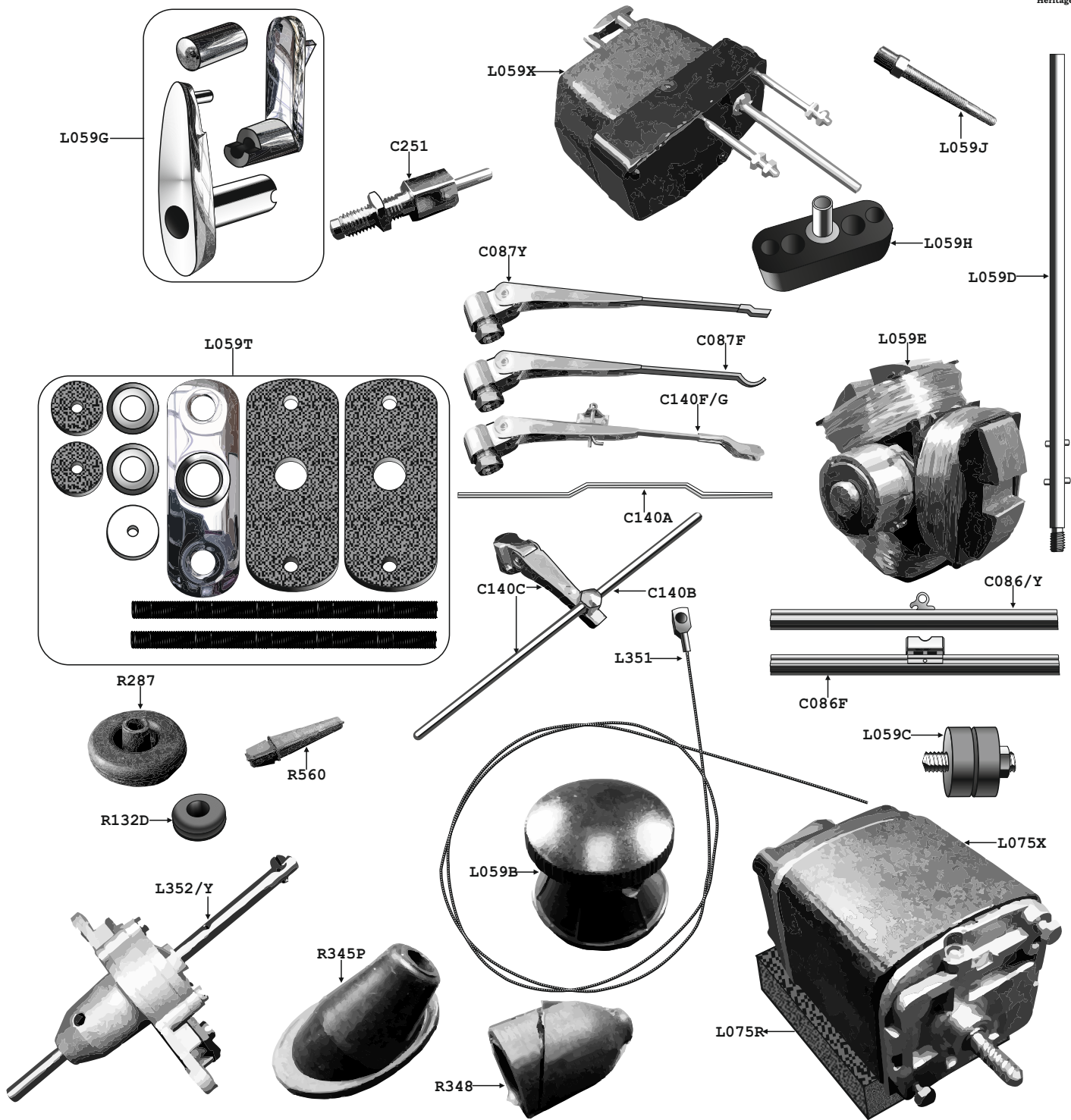
		TA	TB	TC	TD	TF	Y
C091	Badge bar	1	1	1	0	0	0
C092	Brackets - badge bar (pair)	1	1	1	0	0	0
C093	Badge bar (with lamp brackets)	0	0	0	1	1	1
C093A	Badge bar - plain	0	0	0	1	1	1
C228	Bumper - front	0	0	0	1	1	0
C229D	Bumper - rear *	0	0	0	1	0	1
C229F	Bumper - rear	0	0	0	0	1	0
C230T	Overrider	0	0	0	4	4	0
C230Y	Overrider - YB/T	0	0	0	0	0	4
C349	Bumper bolt 1 1/4"	0	0	0	2/4	2/4	2/4
C586	Clip - Badge bar	--- A/R ---					
C815	Bracket - starting handle	0	0	0	0	0	1
C852	Spacer - bumper bolt	0	0	0	5/6	5/6	5/6
C857A	Bolt - chassis front bumper	0	0	0	2	2	0
C857B	Bolt chassis - rear bumper	0	0	0	2	2	0
C858	Dome nut - chrome - front bumper	0	0	0	0	0	2

		TA	TB	TC	TD	TF	Y
C867Y	Bracket - rear bumper-chassis pr	0	0	0	0	0	1
C868	Bracket front bumper	0	0	0	2	2	0
C868A	Spacer - bumper front	0	0	0	2	2	0
C869B	Spacer - rear bumper - chassis	0	0	0	2	2	0
C869T	Bracket rear bumper	0	0	0	2	2	0
C870A	Support bar - front bumper	0	0	0	1	1	0
C870B	Support bar - rear bumper	0	0	0	1	1	0
C871	Conversion bar - front bumper	0	0	0	0	0	1
C872	Conversion bar - rear bumper	0	0	0	0	0	1
F157H	Spring washer-bolt - rear bumper	0	0	0	2	2	0
F167	Washer - bolt - rear bumper	0	0	0	2	2	0
F452BS	Set screw-number plate-bracket	0	0	0	2	2	0
F502BS	Set screw-bracket to frame	0	0	0	2	2	0
R182	Pad - overrider 7"	0	0	0	8	8	8
T128	Panel - number plate	0	0	0	1	1/2	0
T128T	Panel - number plate - front	1	1	1	0	0	0
T128R	Panel - nmb plate (square) rear	0	0	0	1	0	0
T129	Bracket - rear number plate	0	0	0	0	1	0
T129AK	Fixing kit - number plate panel	0	0	0	0	1	0
T130	Lamp bracket - number plate	0	0	0	1	1	0
T131	Brackets front number plate (pair)	0	0	0	1	1	1

* Also used as front & rear on 'Y' models using conversion bars
C871 (front) & C872 (rear) - required as hole spacing is different from TD



Windscreen Wipers

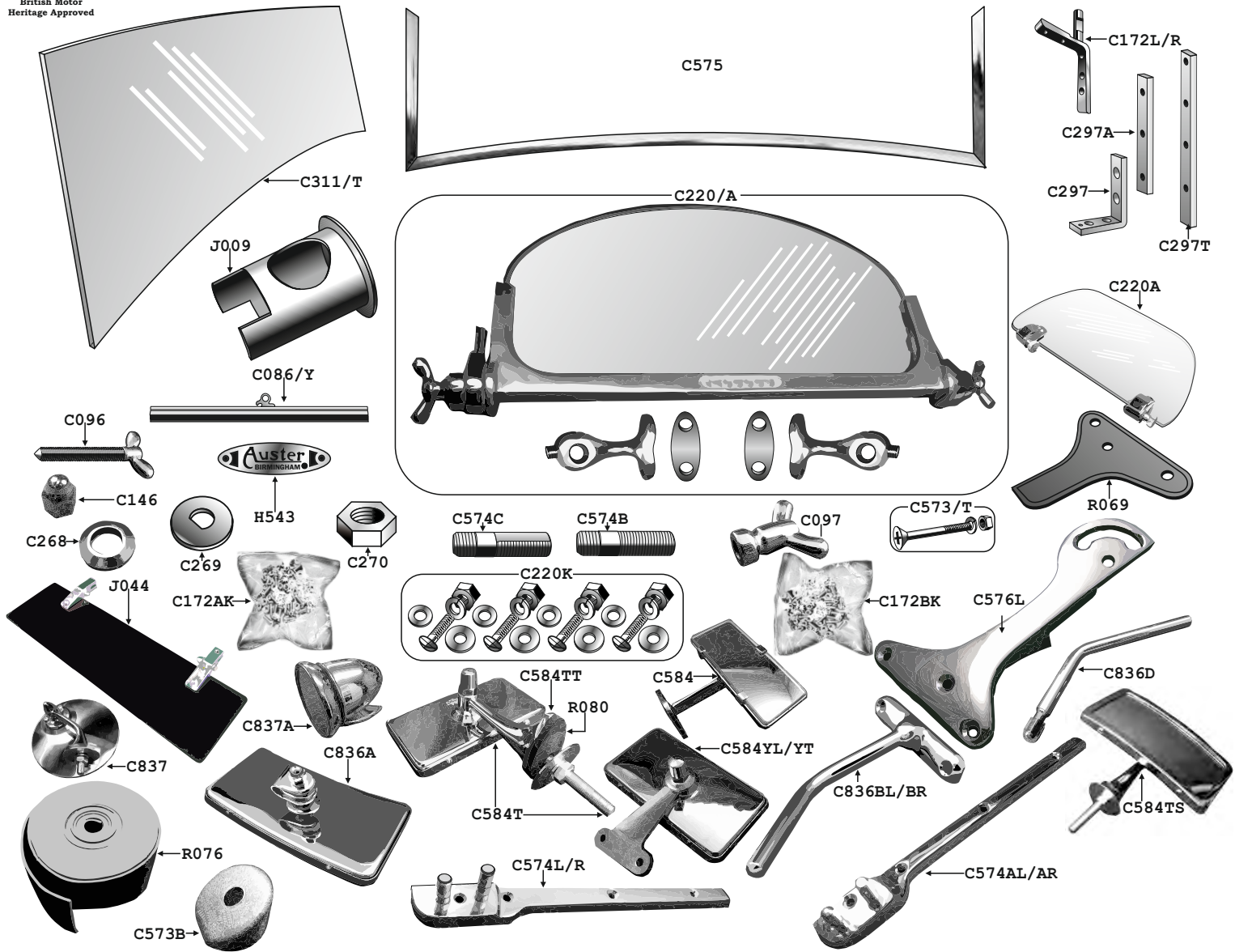


		TA	TC	TD	TF	YA	YB
C086	Wiper blade+YT	2	2	2	0	0	0
C086F	Wiper blade	0	0	0	2	0	0
C086Y	Wiper blade (9")	0	0	0	0	2	2
C087F	Wiper arm	0	0	0	2	0	0
C087Y	Wiper arm	0	0	0	0	2	2
C140A	Wiper bar - cranked+YT <i>*(to chassis 22314 -TD only)</i>	1	1	1*	0	0	0
C140B	Wiper bar - Centre Motor <i>*(from chassis 22315 -TD only)</i>	0	0	1*	0	0	0
C140C	Centre arm + bar <i>*(from chassis 22315 - TD only)</i>	0	0	1*	0	0	0
C140F	Wiper arms - tandem (pair)+YT	1	1	0	0	0	0
C140G	Wiper arms - tandem (pair)	0	0	1	0	0	0
C251	Idler bearing - wipers	1	1	1/2	0	0	0
L059A	Grommet - w/cable to scuttle+YT	1	1	1	0	0	0
L059B	Knob - wiper control	0	0	0	2	2	2
L059C	Mount - wiper motor	0	0	0	2	2	2
L059D	Shaft - wiper motor+YT	1	1	1	0	0	0
L059E	Armature - CWX wiper motor+YT	1	1	1	0	0	0
L059G	Handle+nut - wiper motor	1	1	1	0	0	0

		TA	TC	TD	TF	YA	YB
L059H	Spacer - wiper motor (used)+YT	1	1	1	0	0	0
L059J	Stud+nuts - wiper motor+YT	2	2	2	0	0	0
L059T	Mount kit - wiper motor+YT	1	1	1	0	0	0
L059W	Wire for wipers+YT	1	1	1	0	0	0
L059X	Wiper motor recon orig Ex +YT	1	1	1	0	0	0
L075R	Mount pad - wiper motor	0	0	0	1	1	1
L075X	Wiper motor - less gear head Ex	0	0	0	1	1	1
L350Y	Tube assbly - wiper rack (3 piece)	0	0	0	0	1	1
L351	Inner wiper cable	0	0	0	1	0	0
L351A	Inner wiper cable (used)	0	0	0	0	1	1
L352	Wiper wheel box + shaft (used)	0	0	0	1	0	0
L352Y	Wiper wheel box (used)	0	0	0	0	1	1
L353	Wiper wheel bx with switch(used)	0	0	0	1	0	0
L353Y	Wpr whl bx with swtch (used)	0	0	0	0	1	1
R132D	Grommet - wiper & choke	1	1	1	1	1	1
R287	Grommet - wiper cable	0	0	0	1	1	1
R345P	Grommet set (2) wiper spindle	0	0	0	1	0	0
R348	Grommet - wiper spindle	0	0	0	0	2	2
R560	Peg - wiper blade	2	2	2	2	2	2



Windscreen Assembly



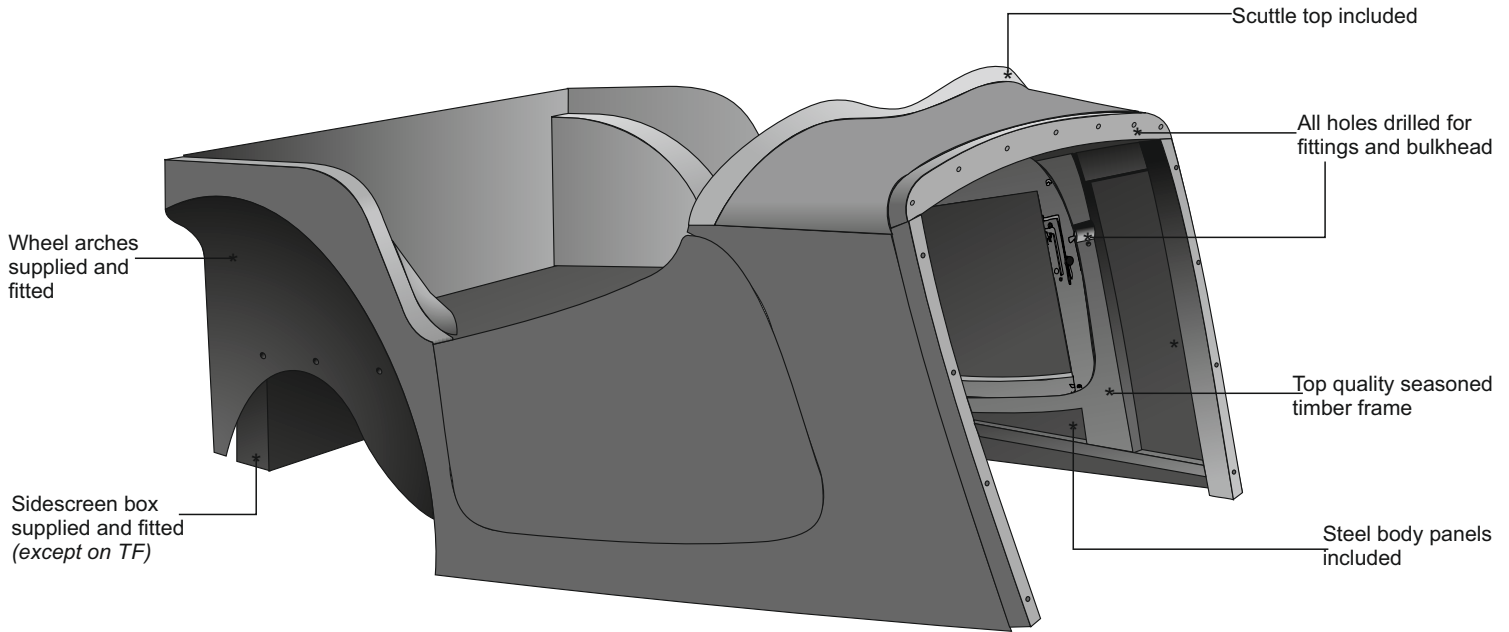
	TA	TB	TC	TD	TF	YT
C096	Wing bolt - hood rail	2	2	2	2	2
C097	Wing nut - windscreen	2	2	2	2	2
C146	Dome nut - windscreen	2	2	2	2	2
C172L	Bracket - top windscreen corner	1	1	1	1	1
C172R	Bracket - top windscreen corner	1	1	1	1	1
C172AK	Screw set windscreen frame	1	1	1	0	0
C172BK	Screw set windscreen frame	0	0	0	1	1
C220	Brooklands aeroscreen & mounts	2	2	2	2	0
C220A	W/wing set - perspex	2	2	2	2	0
C220K	Fitting set - aeroscreen	2	2	2	2	0
C268	Cone washer - windscreen	2	2	2	2	2
C269	D Washer - windscreen	2	2	2	2	2
C270	Nut - windscreen pivot	2	2	2	2	2
C297	Bracket bottom corner windscreen	2	2	2	2	2
C297A	Tapping strip windscreen	2	2	2	0	0
C297T	Tapping strip - windscreen	0	0	0	2	2
C311	Windscreen Glass Laminated	0	0	0	1	1
C311T	Windscreen Glass Laminated	1	1	1	0	0
C573	Screw - w/screen bracket to body	6	6	6	0	6
C573A	Screw & nut w/screen brckt - top	0	0	0	2	2
C573B	Spacer - windscreen bracket - under cowl	0	0	0	2	2
C573T	Screw - w/screen bracket to body	0	0	0	6	6
C574B	Stud - windscreen pillar - top	2	2	2	2	2
C574C	Stud (with flat)-w/scrn pillar-bttm	2	2	2	2	2
C574L	Pillar - windscreen LH	1	1	1	0	0
C574R	Pillar - windscreen RH	1	1	1	0	0
C574AL	Pillar - windscreen LH	0	0	0	1	1
C574AR	Pillar - windscreen RH	0	0	0	1	1
C575	Windscreen frame	1	1	1	0	0
C575TD	W/screen frame early TD	0	0	0	1	0
C575TD2	W/screen frame late TD	0	0	0	1	0

	TA	TB	TC	TD	TF	YT
C575TF	Windscreen frame	0	0	0	0	1
C576L	Bracket scuttle - windscreen LH	1	1	1	0	0
C576R	Bracket scuttle - windscreen RH	1	1	1	0	0
C576LTD	Bracket-scuttle-w/screen LH	0	0	0	1	0
C576RTD	Bracket-scuttle-w/screen RH	0	0	0	1	0
C576LTF	Bracket-scuttle to w/screen LH	0	0	0	0	1
C576RTF	Bracket-scuttle to w/screen RH	0	0	0	0	1
C584	Interior mirror	1	1	1	0	0
C584T	Interior mirror	0	0	0	1	1
C584TS	Intr mir (large 160mm X 80mm)	0	0	0	1	1
C584TT	Chrome stem - interior mirror	0	0	0	1	1
C584YL	Interior mirror (LHD)	0	0	0	0	1
C584YT	Interior mirror (RHD)	0	0	0	0	1
C836A	Mirror head - windscreen	2	2	2	2	2
C836BL	Arm - windscreen mirror LH	1	1	1	1	1
C836BR	Arm - windscreen mirror RH	1	1	1	1	1
C836C	Glass-windscreen side mirror	2	2	2	2	2
C836D	Special mirror bracket	2	2	2	2	2
C836K	Mirror & arm-windscreen	0	0	0	2	2
C837	Wing mirrors-round (pr)	1	1	1	1	1
C837A	Wing mirror-racing type	2	2	2	2	2
F040CP	Screw-2 BA x 5/16" chrome pozi	0	0	0	18	18
F040CS	Screw-2 BA x 5/16" chr. slotted	18	18	18	0	0
F041CP	Screw - 2 BA x 3/4" chrome pozi	0	0	0	8	8
F041CS	Screw - 2 BA x 3/4" chr. slotted	8	8	8	0	0
H543	Auster plate windscreen	1	1	1	1	1
J009	Socket - hood rail	2	2	2	2	2
R069	Pad - windscreen mount	2	2	2	0	0
R069T	Pad - windscreen mount	0	0	0	2	2
R069Y	Pad - windscreen mount - pair	0	0	0	0	1
R076	Glazing rubber - w/screen + tank	1	1	1	1	1
R080	Pad - interior mirror	0	0	0	1	1



Our top quality T-Type bodies are completely assembled, panelled and with doors hung. We only use the finest quality seasoned timber as per the originals. Scuttle tops are included in the price.

PART NUMBER T600 (STATE MODEL)



TC body shown, but bodies can be supplied also for: TA (early model), TA (late model), TB, TD, TF

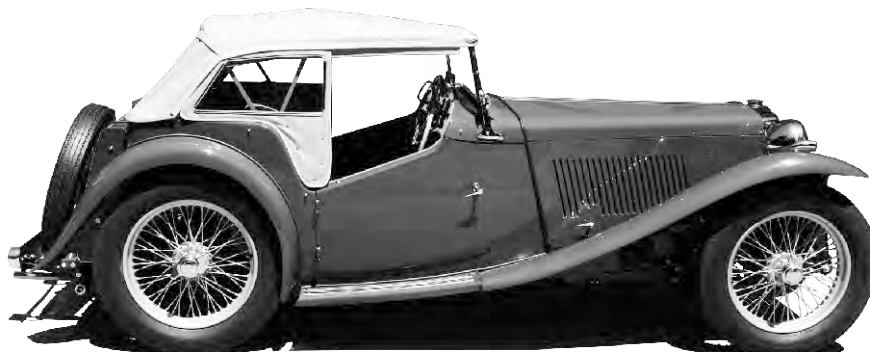
DIMENSIONS ETC. FOR CARRIAGE PURPOSES

TA/B/C Body: 6' Length x 4' 1" Width x 3' 2" Height
 TD/F Body: 6' Length x 4' 1" Width x 2' 8" Height

Kilo rate for air freight based on volume = 366 Kg

CARRIAGE ON BODY UNITS

We can arrange delivery on body units to inland destinations at modest cost by road carrier. We also have a standing order with an air freight company for competitive transport to most countries. This is safer and almost always the cheapest method. Sea freight involves the cost of building and transporting a large wooden crate, plus docking and surface transport charges to and from the dockside. Customers may prefer to make their own transport arrangements – see dimensions above. Many European customers prefer to collect from our premises with a van as we are situated less than one hour from the channel ports of Felixstowe and Harwich, and approximately two hours from Folkestone and Dover.





British Motor
Heritage Approved



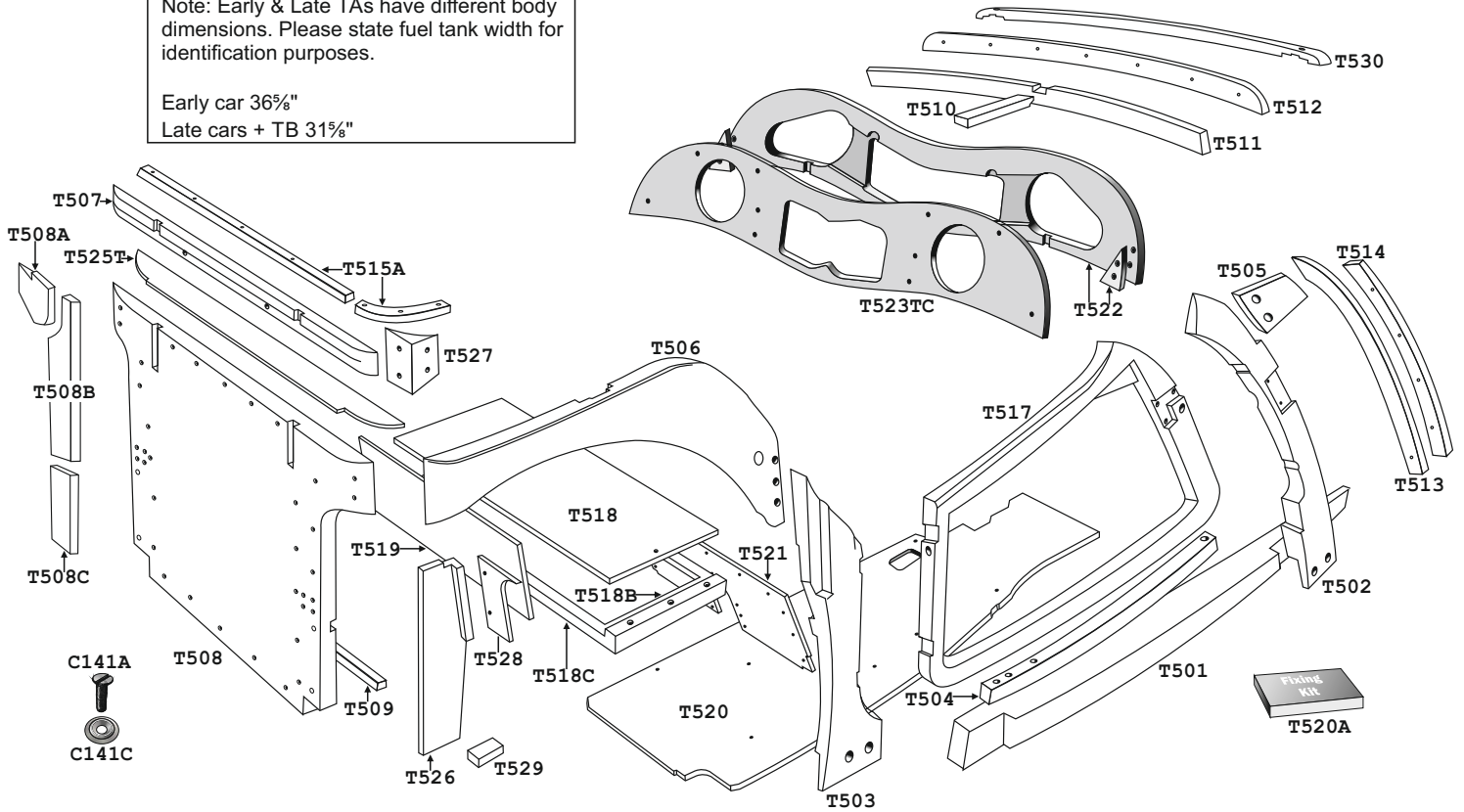
Timber Frame TA-TB-TC



55

Note: Early & Late TAs have different body dimensions. Please state fuel tank width for identification purposes.

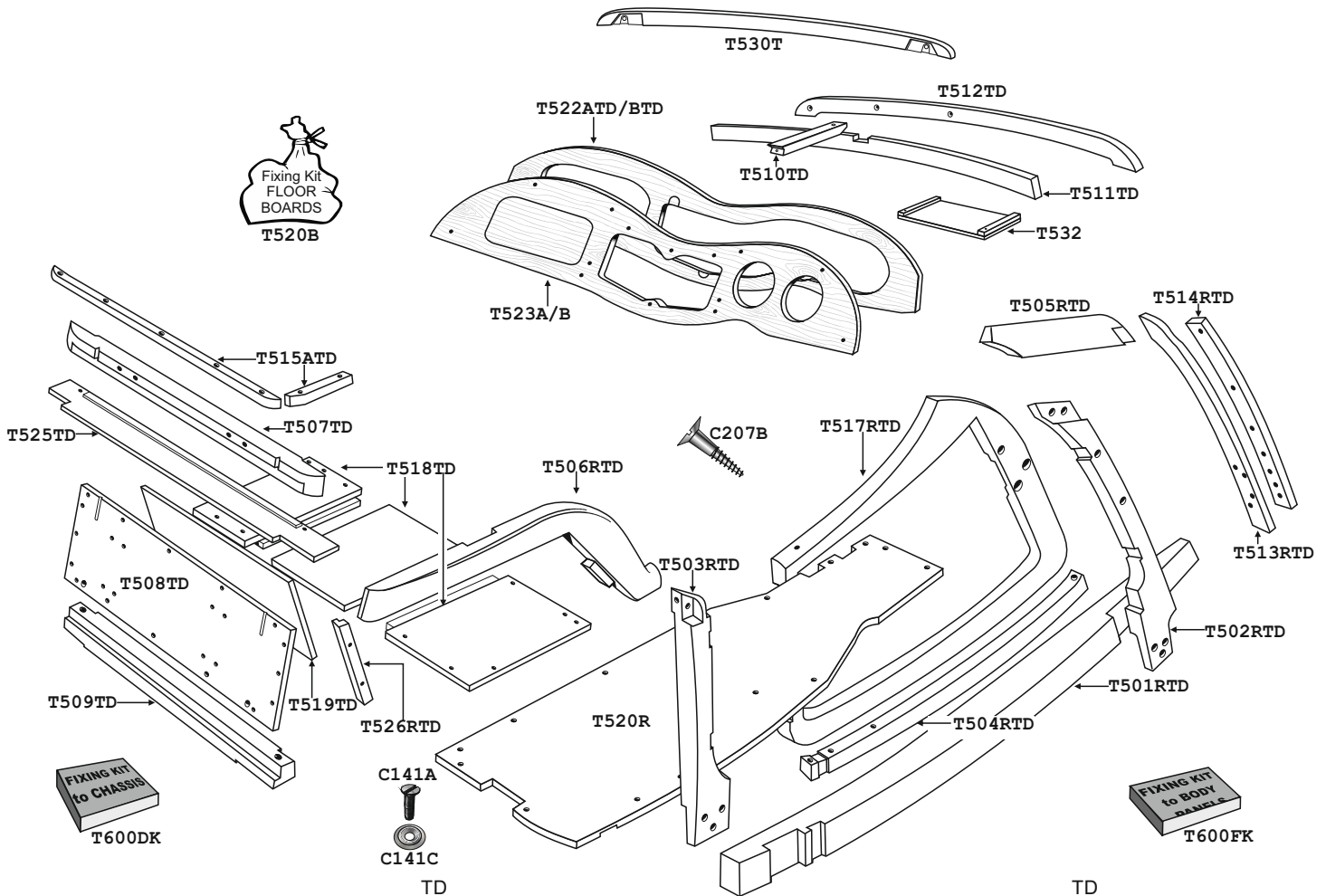
Early car 36 1/2"
Late cars + TB 31 1/2"



		TA	TB	TC		TA	TB	TC	
C141A	Screw-floorboard	--	A/R	--	T514RTC	Scuttle side rail-front RH	0	0	1
C141C	Washer-floorboard	--	A/R	--	T515AT	Rear top rail-3 piece	1	1	0
T501LT	Bottom rail LH	1	1	0	T515ATC	Rear top rail-3 piece	0	0	1
T501LTC	Bottom rail LH	0	0	1	T517LT	Door frame set LH	1	1	0
T501RT	Bottom rail RH	1	1	0	T517LTC	Door frame set LH	0	0	1
T501RTC	Bottom rail RH	0	0	1	T517RT	Door frame set RH	1	1	0
T502LT	Front door pillar LH	1	1	0	T517RTC	Door frame set RH	0	0	1
T502LTC	Front door pillar LH	0	0	1	T518T	Floor-rear compartment	1	1	0
T502RT	Front door pillar RH	1	1	0	T518TC	Floor-rear compartment	0	0	1
T502RTC	Front door pillar RH	0	0	1	T518ATC	Rear deck rail (front)	0	0	1
T503LT	Rear door pillar LH	1	1	0	T518BLTC	Rear deck rail (side) LH	0	0	1
T503LTC	Rear door pillar LH	0	0	1	T518BRTC	Rear deck rail (side) RH	0	0	1
T503RT	Rear door pillar RH	1	1	0	T518CTC	Rear deck rail (rear)	0	0	1
T503RTC	Rear door pillar RH	0	0	1	T519T	Lid-sidescreen compartment	1	1	0
T504LT	Under door rail LH	0	0	1	T519TC	Lid-sidescreen compartment	0	0	1
T504RT	Under door rail RH	1	1	0	T520A	Fixing kit - floorboards	1	1	1
T504RTC	Under door rail RH	0	0	1	T520LT	Floorboard LH	1	1	0
T505LT	Scuttle side rail LH	1	1	1	T520LTC	Floorboard LH	0	0	1
T505RT	Scuttle side rail RH	1	1	1	T520RT	Floorboard RH	0	0	1
T506LT	Elbow-rear side LH	1	1	0	T521T	Front panel-rear compartment	1	1	0
T506LTC	Elbow-rear side LH	0	0	1	T521TC	Front panel-rear compartment	0	0	1
T506RT	Elbow-rear side RH	1	1	0	T522	Mounting panel-dashboard	1	1	1
T506RTC	Elbow-rear side RH	0	0	1	T523TC	Dshboard-late TC (uncovered)	0	0	1
T507T	Rear top rail	1	1	0	T525T	Shelf-rear compartment	1	1	0
T507TC	Rear top rail	0	0	1	T525TC	Shelf-rear compartment	0	0	1
T508T	Rear body panel	1	1	0	T526LT	End panel-sidescreen box LH	1	1	0
T508TC	Rear body panel	0	0	1	T526LTC	End panel-sidescreen box LH	0	0	1
T509T	Rear bottom rail	1	1	0	T526RT	End panel-sidescreen box RH	1	1	0
T509TC	Rear bottom rail	0	0	1	T526RTC	End panel-sidescreen box RH	0	0	1
T510T	Brace-scuttle top	1	1	0	T527LT	Rear corner piece LH	1	1	0
T510TC	Brace-scuttle top	0	0	1	T527LTC	Rear corner piece LH	0	0	1
T511T	Scuttle top rail-back	1	1	0	T527RT	Rear corner piece RH	1	1	0
T511TC	Scuttle top rail-back	0	0	1	T527RTC	Rear corner piece RH	0	0	1
T512T	Scuttle top rail-front	1	1	0	T528	Finisher-rear panel LH + RH	0	0	2
T512TC	Scuttle top rail-front	0	0	1	T528LT	Finisher piece-rear panel LH	1	1	0
T513LT	Scuttle side rail-back LH	1	1	0	T528RT	Finisher piece-rear panel RH	1	0	0
T513LTC	Scuttle side rail-back LH	0	0	1	T529LTA	Fillet-rear bdy chssis LH (late)	1	0	0
T513RT	Scuttle side rail-back RH	1	1	0	T529RTA	Fillet-rear bdy chssis RH (late)	1	0	0
T513RTC	Scuttle side rail back RH	0	0	1	T530	Hood top rail-front	1	1	1
T514LT	Scuttle side rail-front LH	1	1	0	T600KA	Timber main body kit (to ch 1090)	1	0	0
T514LTC	Scuttle side rail-front LH	0	0	1	T600KB	Timber main body kit (fr ch 1090)	1	0	0
T514RT	Scuttle side rail-front RH	1	1	0	T600KC	Timber main body kit	0	0	1



Timber Frame TD

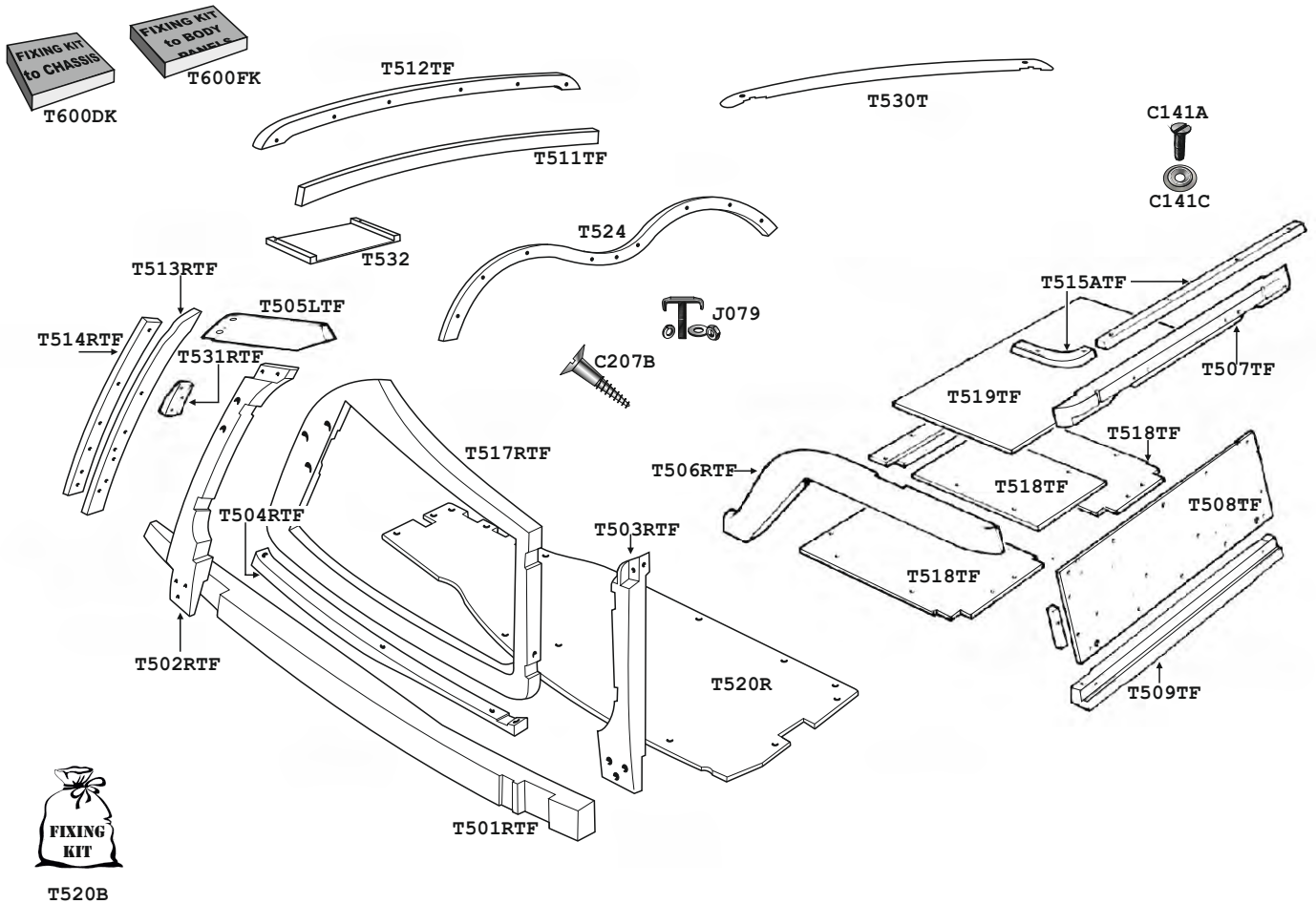


C141A	Screw-floorboard	TD
C141C	Washer-floorboard	A/R
C207B	Woodscrew-body section	AR

T501LTD	Bottom rail LH	1
T501RTD	Bottom rail RH	1
T502LTD	Front door pillar LH	1
T502RTD	Front door pillar RH	1
T503LTD	Rear door pillar LH	1
T503RTD	Rear door pillar RH	1
T504LTD	Under door rail LH	1
T504RTD	Under door rail RH	1
T505LTD	Scuttle side rail LH	1
T505RTD	Scuttle side rail RH	1
T506LTD	Elbow rear side LH	1
T506RTD	Elbow-rear side RH	1
T507TD	Rear top rail	1
T508TD	Rear body panel	1
T509TD	Rear bottom rail	1
T510TD	Brace-scuttle top	1
T511TD	Scuttle top rail-back	1
T512TD	Scuttle top rail-front	1
T513LTD	Scuttle side rail-back LH	1
T513RTD	Scuttle side rail-back RH	1
T514LTD	Scuttle side rail front LH	1

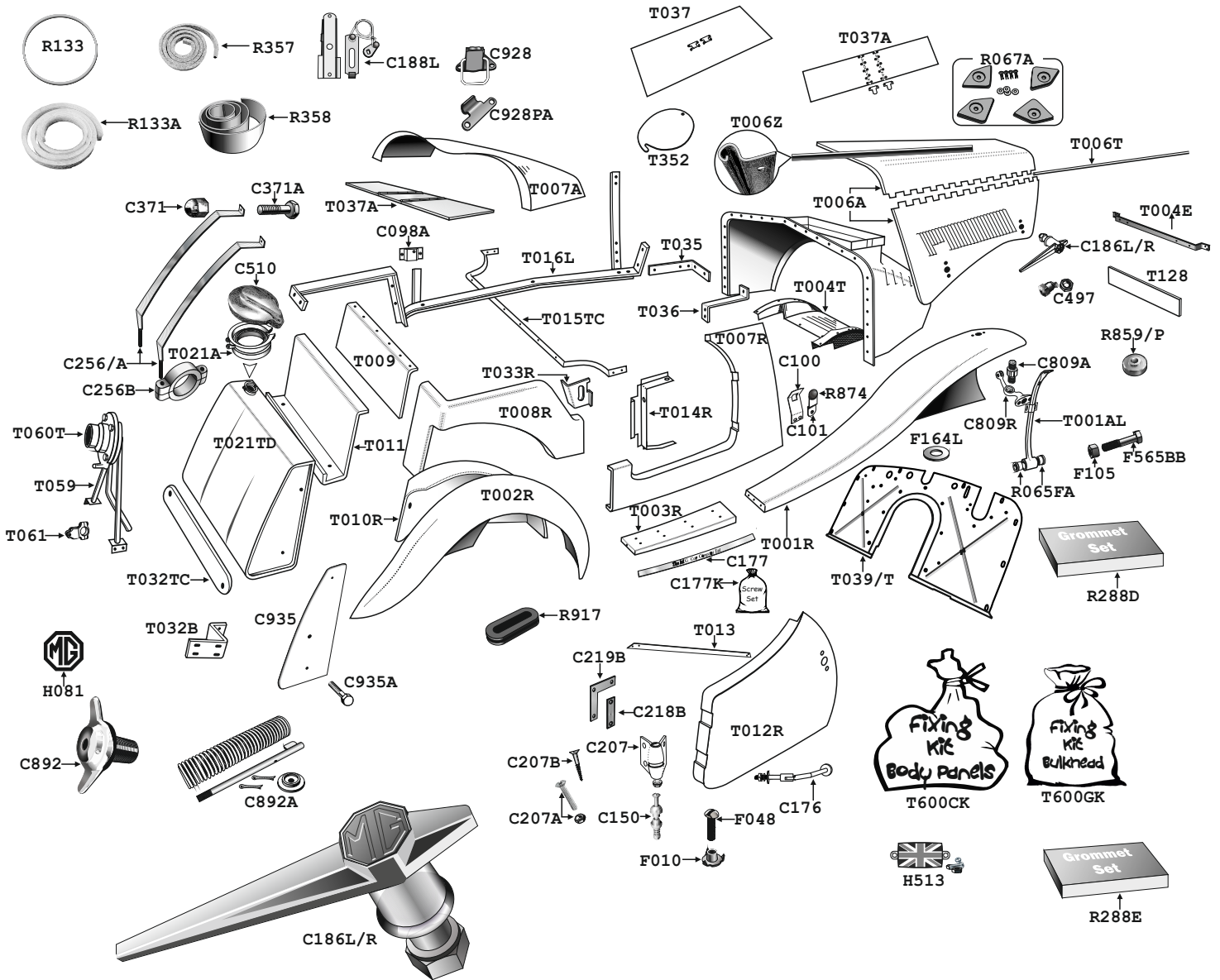
T514RTD	Scuttle side rail-front RH	TD
T515ATD	Rear top rail (3 piece)	1
T517LTD	Door frame set LH	1
T517RTD	Door frame set RH	1
T518TD	Floor-rear compartment	1
T519TD	Lid-sidescreen compartment	1
T520B	Fixing kit-floorboards	1
T520L	Floorboard LH	1
T520LL	Floorboard LH (LHD)	1
T520R	Floorboard RH	1
T520RL	Floorboard RH (LHD)	1
T522ATD	Mounting panel-dash-board RHD	1
T522BTD	Mounting panel-dash-board LHD	1
T523A	Dashboard-uncovered RHD	1
T523B	Dashboard-uncovered LHD	1
T525TD	Shelf-rear compartment	1
T526LTD	End panel-sidescreen box LH	1
T526RTD	End panel-sidescreen box RH	1
T530T	Hood top rail-front	1
T532	Battery tray	1
T600DK	Fitting kit - body to chassis	1
T600FK	Fixing kit - body panels	1
T600KD1	Body timber kit RHD	1
T600KD2	Body timber kit LHD	1





C141A	Screw-floorboard	A/R	T512TF	Scuttle top rail-front	1
C141C	Washer-floorboard	A/R	T513LTF	Scuttle side rail-back LH	1
C207B	Woodscrew-body section	AR	T513RTF	Scuttle side rail-back RH	1
J079	T Bolt - dash rail	9	T514LTF	Scuttle side rail-front LH	1
T501LTF	Bottom rail LH	1	T514RTF	Scuttle side rail-front RH	1
T501RTF	Bottom rail RH	1	T515ATF	Rear top rail (3 piece)	1
T502LTF	Door pillar-front LH	1	T517LTF	Door frame set LH	1
T502RTF	Door pillar-front RH	1	T517RTF	Door frame set RH	1
T503LTF	Door pillar-rear LH	1	T518TF	Floor-rear compartment	1
T503RTF	Door pillar-rear RH	1	T519TF	Lid-sidescreen compartment	1
T504LTF	Under door rail LH	1	T520B	Fixing kit - floorboards	1
T504RTF	Under door rail RH	1	T520L	Floorboard LH	1
T505LTF	Scuttle side rail LH	1	T520R	Floorboard RH	1
T505RTF	Scuttle side rail RH	1	T524	Trim rail-dashboard surround	1
T506LTF	Elbow-rear side LH	1	T530T	Hood top rail-front	1
T506RTF	Elbow-rear side RH	1	T531LTF	Spacer-chassis hoop LH	1
T507TF	Rear top rail	1	T531RTF	Spacer-chassis hoop RH	1
T508TF	Rear body panel	1	T532	Battery tray	1
T509TF	Rear bottom rail	1	T600KF	Timber main body kit	1
T511TF	Scuttle top rail-back	1	T600DK	Fixing kit-body to chassis	1
			T600FK	Fixing kit-body panels	1





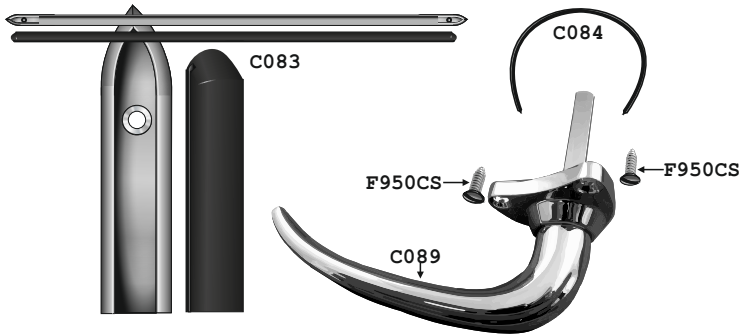
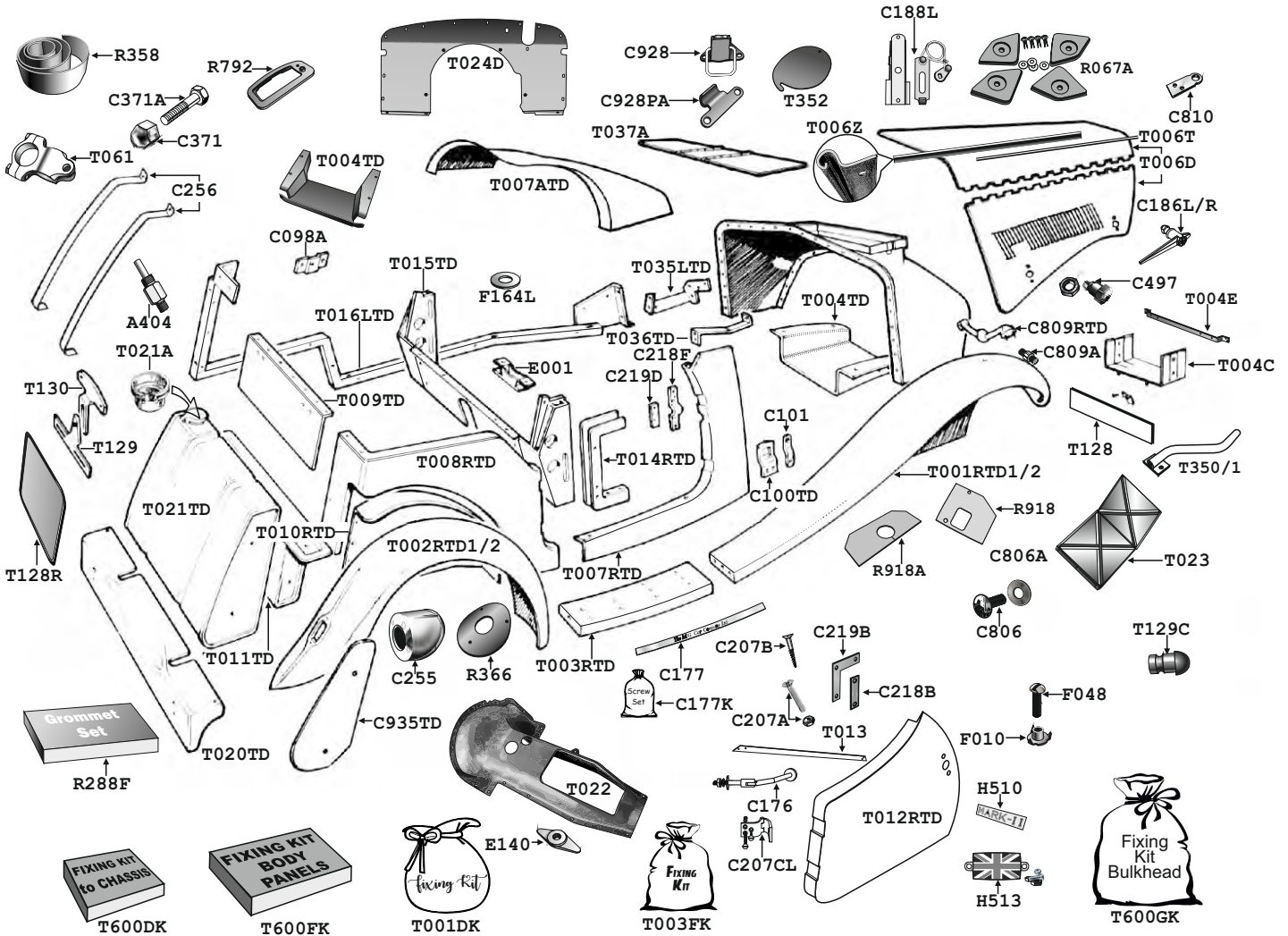
BODY RUBBERS TA/B/C

R065FA	Bush-rubber-wing stay	4
R067A	Bonnet corner rubber set+rivets	1
R068	Bonnet rest rubber rear	1
R069	Pad-windscreen mount	2
R070	Pad-head lamp bracket upper	2
R070A	Pad-head lamp bracket lower	2
R071	Pad-sidelamp base upper	2
R071A	Pad-sidelamp-lower	2
R072	Grommet-radiator shell	2
R073D	Draught excluder-wind screen	1
R074	Rubber-tank straps-pair	1
R075	Pad-wing/running board	2
R076	Seal-w/screen	1
R077S	Pad-door buffer set 4	1
R116	Seal set-'D' lamp	1
R132E	Grommet-starter + choke TA TB	2
R133	Rim seal (rubber) headlamp	2
R133A	Rim seal (sponge) headlamp	2
R141P	Buffer set (2) hood frame	1
R238A	Mount pad set-5 piece fuel tank	1

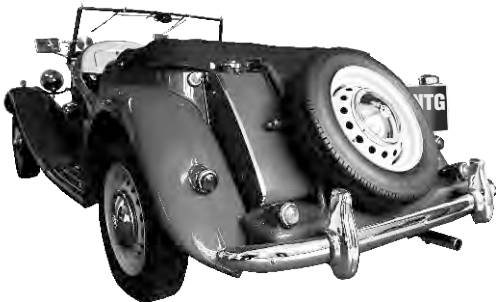
R288D	Grommet set-bulkhead TA TB	1
R288E	Grommet set-bulkhead TC	1
R357	Rubber-bulkhead 92"	1
R358	Rubber strip-body mount (mtr)	1
R861P	Bush – fuel tank/wing	2
R917	Oval grommet-handbrake cable	1
RBKT1	Rubber kit-body TA TB	1
RBKT3	Rubber kit-body TC	1
T022C	Propshaft tunnel	1



		TA	TB	TC			TA	TB	TC
C098A	Side screen holder-rear (<i>pr</i>)	1	1	1	T006T	Bonnet hinge pin	1	1	1
C100	Bracket-bonnet catch	4	4	4	T006Z	Repair hinge-bonnet	2	2	2
C101	Bracket-bonnet buffer (<i>incl R874</i>)	4	4	4	T007A	Scuttle top	1	1	0
C150	Hinge pin assembly	4	4	4	T007ATC	Scuttle top	0	0	1
C176	Door check	2	2	2	T007L	Quarter panel-front LH early	1	0	0
C177	Threshold plates - (<i>pr</i>)	1	1	1	T007LT	Quarter panel-front LH late	1	1	0
C177K	Screw set - threshold plates	1	1	1	T007LTC	Quarter panel-front LH	0	0	1
C186L	Bonnet handle LH	2	2	2	T007R	Quarter panel-front RH early	1	0	0
C186R	Bonnet handle RH	2	2	2	T007RT	Quarter panel-front RH late	1	1	0
C188L	Bonnet catch assembly LH	2	2	2	T007RTC	Quarter panel-front RH	0	0	1
C188R	Bonnet catch assembly RH	2	2	2	T008L	Quarter panel-rear LH early	1	0	0
C207	Door hinges (<i>set of 4</i>) with fixings	1	1	1	T008LT	Quarter panel-rear LH late	1	1	0
C207A	Bolt + nut-door hinge	12	12	12	T008LTC	Quarter panel-rear LH	0	0	1
C207B	Woodscrew-door hinge	4	4	4	T008R	Quarter panel-rear RH early	1	1	0
C218B	Fixing plate-striker	2	2	2	T008RT	Quarter panel-rear RH late	1	1	0
C219B	Plate-door lock-body	2	2	2	T008RTC	Quarter panel-rear RH	0	0	1
C256	Tank straps-chrome (<i>pr</i>)	1	1	1	T009	Rear body panel early	1	0	0
C256A	Tank straps-plain (<i>pr</i>)	1	1	1	T009T	Rear body panel late	1	1	0
C256B	Bracket-bottom-tank straps	2	2	2	T009TC	Rear body panel	0	0	1
C371	Dome nut - tank strap	2	2	2	T010L	Wheel arch-rear-inner LH	1	1	1
C371A	Bolt - tank strap (<i>use F511BB</i>)	2	2	2	T010R	Wheel arch-rear-inner RH	1	1	1
C497	Bolt + nut-lamp bracket	2	2	2	T011	Box-side screens	1	1	1
C510	Fuel filler cap - all T & Y	1	1	1	T012L	Door-panelled LH	1	1	0
C809A	Stud-headlamp bracket	4	4	4	T012LTC	Door-panelled LH	0	0	1
C809L	Bracket-headlamp LH	1	1	1	T012R	Door-panelled RH	1	1	0
C809R	Bracket-headlamp RH	1	1	1	T012RTC	Door-panelled RH	0	0	1
C892	Knock off - spare wheel	1	1	1	T013L	Cross brace-door LH	1	1	1
C892A	Spring + key - spare wheel	1	1	1	T013R	Cross brace-door RH	1	1	1
C928	Clip-tool or battery box	0	0	2	T014L	Brace-door frame LH	1	1	0
C928PA	Retainer clip - toolbox	0	0	2	T014LTC	Brace-door frame LH	0	0	1
C935	End panels-fuel tank (<i>pr</i>)	1	1	1	T014R	Brace-door frame RH	1	1	0
C935A	Bolt-rear wing to fuel tank	2	2	2	T014RTC	Brace-door frame RH	0	0	1
F010	T nut - door latches etc - 2BA	-	-A/R-	-	T015TC	Cross brace	0	0	1
F105	Nut 3/8" BSF	-	-A/R-	-	T016L	Body frame LH	1	1	0
F048	Screw - door latches etc - 2BA	-	-A/R-	-	T016LTC	Body frame LH	0	0	1
F164L	Washer-wing fixing	-	-A/R-	-	T016R	Body frame RH	1	1	0
F511BB	Bolt - tank strap	2	2	2	T016RTC	Body frame RH	0	0	1
F565BB	Bolt - 3/8" x 2 1/2"	-	-A/R-	-	T021A	Neck only for fuel tank *	1	1	1
H081	'MG' badge - spare wheel	1	1	1	* (<i>included with T021T/TA/TC fuel tanks</i>)				
H513	Union Jack - metal	-	-A/R-	-	T021B	Drain plug-fuel tank	1	1	1
R065FA	Bush - wing stay	4	4	4	T021T	Fuel tank 80.3cm late	1	1	0
R067A	Bonnet corner set with fixings	1	1	1	T021TA	Fuel tank 93cm early	1	0	0
R357	Rubber bulkhead - 92"	1	1	1	T021TC	Fuel tank	0	0	1
R358	Rubber strip-body mount (mtr)	1	1	1	T022C	Propshaft tunnel	1	1	1
R859	Bush - shock absorber	2	2	2	T032	Panel-rear number plate	1	1	0
R862	Bush - wing stay (<i>use R065FA</i>)	4	4	4	T032B	Bracket-rear number plate (<i>pr</i>)	1	1	1
R874	Pad-bonnet buffer (<i>fits onto C101</i>)	4	4	4	T032TC	Panel rear number plate	0	0	1
T001AL	Wing stay LH	1	1	1	T033L	Bracket-door pillar LH	1	1	0
T001AR	Wing stay RH	1	1	1	T033LTC	Bracket-door pillar LH	0	0	1
T001L	Wing-front LH	1	1	1	T033R	Bracket-door pillar RH	1	1	0
T001R	Wing-front RH	1	1	1	T033RTC	Bracket-door pillar RH	0	0	1
T001T	Wing-front cycle style (<i>pair</i>)	1	1	1	T035	Side brace-scuttle top	2	2	2
T002LT	Wing-rear LH late	1	1	1	T036	Top brace-scuttle/dash	2	2	2
T002LTA	Wing-rear LH early	1	0	0	T037A	Tool box cover	0	0	1
T002RT	Wing-rear RH late	1	1	1	T037TC	Battery box lid	0	0	1
T002RTA	Wing-rear RH	1	1	0	T039	Bulkhead footplate	0	0	1
T003LTC	Running board LH	0	0	1	T039T	Bulkhead footplate	1	1	0
T003RT	Running board RH	1	1	0	T059	Spare wheel frame	1	1	1
T003RTC	Running board RH	0	0	1	T060T	Spare wheel alloy boss	1	1	1
T004C	Radiator support	1	1	1	T061	Clamp-spare wheel carrier	2	2	2
T004E	Tie bar - radiator	1	1	1	T128T	Panel-number plate-front	1	1	1
T004T	Front apron	1	1	1	T352	Cover plate-master cylinder	1	1	1
T006A	Bonnet complete (<i>4 piece</i>)	1	0	0	T600CK	Fixing kit - body panels	1	1	1
T006C	Bonnet complete (<i>4 piece</i>)	0	0	1	T600GK	Fixing kit - bulkhead	1	1	1



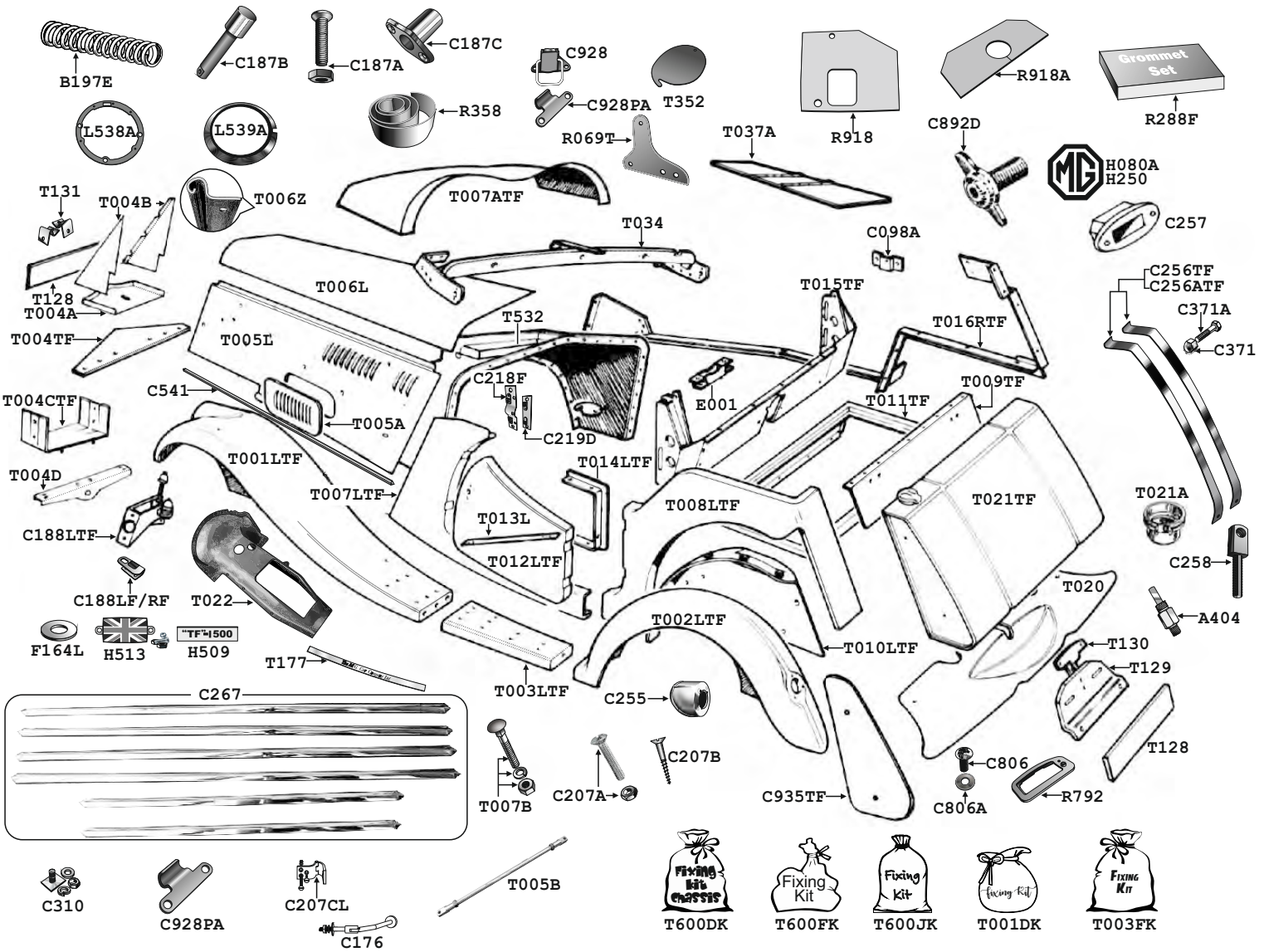
- C083 Tread strip set - running boards 1
- C084 Tread strip - running board - 8" 2
- C089 Door handle - non locking 1
- F950CS Wood screws for C089 4



BODY RUBBERS TD

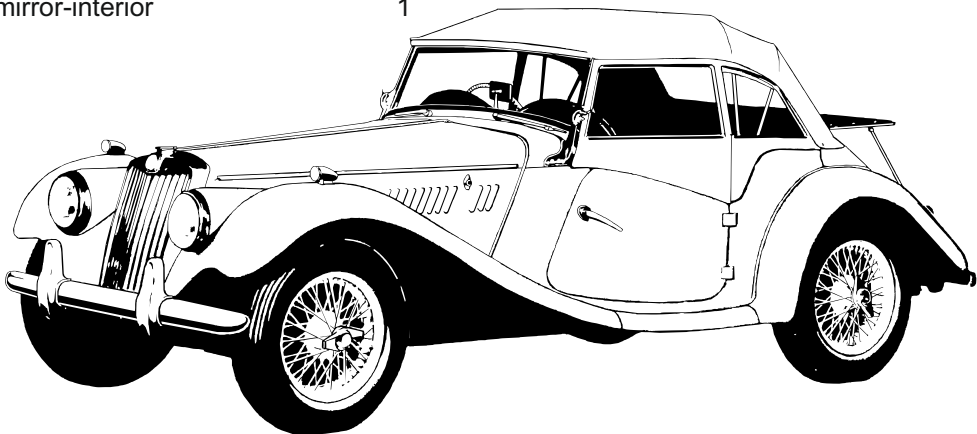
- R067A Bonnet corner set+rivets 1
- R068 Bonnet rest rubber rear 1
- R069T Pad-windscreen mount 2
- R070 Pad-head lamp bracket 2
- R071 Pad-sidelamp base 2
- R072 Grommet-radiator shell 2
- R073D Draught excluder-windscreen 1
- R074 Rubber-tank straps-pair 1
- R075 Pad-wing/running board 2
- R075A Spacer-running board 2
- R076 Seal-w/screen 1
- R077S Pad-door buffer set 4 1
- R080 Pad-mirror-interior 1
- R081 Gasket-door handle 2
- R115 Body stop/tail lamp round 2
- R115B Body-rear lamp TD BC 2130 2
- R132D Grommet-choke+starter cable 2
- R141P Buffer set (2) hood frame 1
- R182 Pad-override 8
- R238B Mount pad set-4 piece fuel tank 1
- R288F Grommet set-bulkhead 1
- R358 Rubber strip-body mount (metre) 1
- R366 Pad-rear lamp-round 2
- R792 Pad-number plate lamp 1
- RBKT4 Rubber kit-body (to chassis 21302) 1
- RBKT5 Rubber kit-body (from chassis 21303) 1

A265B	Washer-adaptor & filter	1	T002RTD1	Wing-rear-rectanglr rear lamps RH	1
A404	Adaptor & filter-fuel tank	1	T002RTD2	Wing-rear-round rear lamp RH	1
C098A	Side screen holder-rear (<i>pr</i>)	1	T003FK	Fixing kit - running boards (<i>car set</i>)	1
C100TD	Bracket-bonnet catch	4	T003LTD	Running board LH	1
C101	Bracket-bonnet buffer (<i>includes R874</i>)	4	T003RTD	Running board RH	1
C176	Door check	2	T004D	Cross brace-radiator	1
C177	Threshold plates (<i>pr</i>)	1	T004TD	Front apron	1
C177K	Screw set-threshold plates	1	T004E	Tie bar - radiator	1
C186L	Bonnet handle LH	1	T006D	Bonnet complete (<i>4 piece</i>)	1
C186R	Bonnet handle RH	1	T006T	Bonnet hinge pin	1
C188L	Bonnet catch assembly LH	2	T006Z	Bonnet repair strip - hinge	2
C188R	Bonnet catch assembly RH	2	T007ATD	Scuttle top	1
C207A	Bolt + nut-door hinge	AR	T007LTD	Quarter panel-front LH	1
C207B	Woodscrew-door hinge	AR	T007RTD	Quarter panel-front RH	1
C207CL	Door hinge-top LH	1	T008LTD	Quarter panel-rear LH	1
C207CR	Door hinge-top RH	1	T008RTD	Quarter panel-rear RH	1
C207DL	Door hinge-bottom LH	1	T009TD	Rear body panel	1
C207DR	Door hinge-bottom RH	1	T010LTD	Wheel arch-rear-inner LH	1
C218F	Securing plate-striker	2	T010RTD	Wheel arch-rear-inner RH	1
C219D	Plate-door lock mount	2	T011TD	Box-sidescreens	1
C255	Plinth - stop tail lamp	2	T012LTD	Door-panelled LH	1
C256TD	Tank straps-chrome (<i>pr</i>)	1	T012RTD	Door-panelled RH	1
C256ATD	Tank straps-plain (<i>pr</i>)	1	T013L	Cross brace-door LH	1
C371	Dome nut - tank strap	4	T013R	Cross brace-door RH	1
C371A	Bolt - tank strap (<i>use F511BB</i>)	4	T014LTD	Door frame brace LH	1
C497	Bolt + nut-lamp bracket	2	T014RTD	Door frame brace RH	1
C806	Screw-front /rear apron	2/6	T015TD	Cross brace-body	1
C806A	Chrome washer- apron	1	T016LTD	Body side frame LH	1
C809A	Stud-headlamp bracket	4	T016RTD	Body side frame RH	1
C809LTD	Bracket-headlamp LH	1	T017L	Support rail-floorboard LH	1
C809RTD	Bracket-headlamp RH	1	T017R	Support rail-floorboard RH	1
C810	Bracket - radiator side	2	T019	Propshaft tunnel	1
C928	Clip-tool or battery box	2	T020TD	Rear valance	1
C928PA	Retainer clip - tool box	2	T021A	Neck only-fuel tank *	1
C935TD	Chrome end panels-fuel tank (<i>pr</i>)	1	T021B	Drain plug-fuel tank *	1
E001	Bearer bracket - gearbox	1		* Included with T021TD fuel tank	
E140	Wing nut - gearbox cover	1	T021TD	Fuel tank (<i>with neck</i>)	1
F164L	Plain washer 5/16" x 1" OD	AR	T022	Gearbox cover	1
F511BB	Bolt - tank strap	4	T023	Passenger footrest panel	1
H510	Mark II badge	3	T024D	Front ramp plate - bulkhead	1
H513	Union Jack - metal	A/R	T035LTD	Side brace-scuttle top LH	1
R067A	Bonnet corner set with fixings	1	T035RTD	Side brace-scuttle top RH	1
R358	Rubber strip - body mount (<i>metre</i>)	1	T036TD	Top brace-scuttle to dash	1
R366	Pad-rear lamp-round	2	T037A	Tool box cover	1
R874	Buffer-bonnet support (<i>fits on C101</i>)	4	T061	Bracket-spare wheel to chassis	1
R918	Seal pedal box	1	T128	Panel-number plate	1
R918A	Pad - chassis hoop	2	T128R	Panel-number plate (<i>square</i>) rear	1
T001LTD1	Wing-front-Girling shock LH	1	T129B	Clamp-spare wheel carrier	1
T001LTD2	Wing-front-Armstrong shock LH	1	T129C	Plug-spare wheel carrier	1
T001RTD1	Wing-front-Girling shock RH	1	T129TD	Bracket-rear number plate	1
T001RTD2	Wing-front-Armstrong shock RH	1	T130	Lamp bracket-number plate	1
T001DK	Fixing kit - front wings	1	T131	Bracket-front number plate (<i>pr</i>)	1
T002LTD1	Wing-rear-rectangular rear lamp LH	1	T350	Tube + bracket-rear number plate RHD	1
T002LTD2	Wing-rear-round rear lamp LH	1	T351	Tube + bracket-rear number plate LHD	1
			T352	Cover plate-master cylinder	1
			T600DK	Fitting kit - body to chassis	1
			T600FK	Fixing kit - body panels	1
			T600GK	Fixing kit- bulkhead to body	1



RUBBER PARTS TF

L538A	Seal-headlamp to wing-3 point	2	R081	Gasket-door handle	2
L539A	Dust excluder-H/Lamp rim-3 point	2	R115	Body-stop/tail lamp	2
R068	Bonnet rest rubber-rear	1	R141P	Buffer set(2) hood frame	1
R069T	Pad-windscreen mount	2	R182	Pad override	8
R071	Pad-sidelamp base	2	R238B	Mount pad set-4 piece fuel tank	1
R073D	Draught excluder-windscreen	1	R288F	Grommet set-bulkhead	1
R074	Rubber tank straps-pair	1	R345P	Grommet set (2) wiper spindle	1
R075	Pad-wing/running board	4	R358	Rubber strip-body mount (mtr)	1
R076	Seal windscreen	1	R366	Pad-rear lamp	2
R077S	Pad-door buffer set 4	1	RBKT6	Rubber kit-body	1
R080	Pad-mirror-interior	1	R792	Pad-number plate lamp	1



A404	Adapter & filter-fuel tank	1	T002LTF	Rear wing LH	1
A404A	Washer-adapter & filter	1	T002RTF	Rear wing RH	1
B197E	Spring-bonnet catch	1	T003FK	Fixing kit - running boards	1
C098A	Side screen holder-rear (<i>pr</i>)	1	T003LTF	Running board LH	1
C176	Door check	2	T003RTF	Running board RH	1
C177	Threshold plates (<i>pr</i>)	1	T004TF	Front apron	1
C177K	Screw set - threshold plates	1	T004A	Base plate-radiator duct panel	1
C187A	Screw & nut - catch	8	T004B	Sideplate-radiator (<i>pr</i>)	1
C187B	Plunger - bonnet catch	4	T004CTF	Bracket-radiator support	1
C187C	Surround - bonnet catch	4	T004D	Cross brace-radiator to chassis	1
C188A	Use B197E Spring-bonnet catch	1	T005A	Inspection panel-bonnet side	2
C188LF	Striker-bonnet top LH	2	T005B	Tie bar-front wing	1
C188LTF	Bonnet catch-internal LH	1	T005L	Bonnet side LH	1
C188RF	Striker-bonnet top RH	2	T005R	Bonnet side RH	1
C188RTF	Bonnet catch-internal RH	1	T006L	Bonnet top LH	1
C207A	Bolt + nut-door hinge	AR	T006R	Bonnet top RH	1
C207B	Woodscrew-door hinge	AR	T006Z	Bonnet repair strip - hinge	2
C207CL	Door hinge-top LH	1	T007ATF	Scuttle top	1
C207CR	Door hinge-top RH	1	T007B	Coach bolt & nut-bulkhead	22
C207DL	Door hinge-bottom LH	1	T007LTF	Quarter panel-front LH	1
C207DR	Door hinge-bottom RH	1	T007RTF	Quarter panel-front RH	1
C218F	Securing plate-striker	2	T008LTF	Quarter panel-rear LH	1
C219D	Plate-door lock mount	2	T008RTF	Quarter panel-rear RH	1
C255	Plinth - stop tail lamp	2	T009TF	Rear panel	1
C256TF	Tank straps-chrome (<i>pr</i>)	1	T010LTF	Wheel arch-rear LH	1
C256ATF	Tank straps-plain (<i>pr</i>)	1	T010RTF	Wheel arch-rear RH	1
C257	Bracket-tank strap (<i>top</i>)	2	T011TF	Sidescreen compartment frame	1
C258	Fork pin-tank strap (<i>bottom</i>)	2	T012LTF	Panelled door complete LH	1
C267	Tread strip - running board	1	T012RTF	Panelled door complete RH	1
C310	Stud plate - chrome strip	A/R	T013L	Cross brace-door LH	1
C371	Dome nut-tank strap	4	T013R	Cross brace-door RH	1
C371A	Use F511BB Bolt-tank strap	4	T014LTF	Door frame brace LH	1
C541	Bonnet side strip	2	T014RTF	Door frame brace RH	1
C806	Screw-front & rear apron	2	T015TF	Cross brace-rear compartment	1
C806A	Washer chrome - apron	1	T016LTF	Body side frame LH	1
C892D	Knock-off spare wheel (<i>wire wheels</i>)	1	T016RTF	Body side frame RH	1
C928	Clip-tool or battery box	2	T019	Tunnel-propshaft	1
C928PA	Retainer clip - tool box	2	T020TF	Rear valance	1
C935TF	Chrome end panels-fuel tank (<i>pr</i>)	1	T021TF	Fuel tank complete with neck	1
E001	Bearer bracket-gearbox	1	T021A	Neck only-fuel tank *	1
F164L	Plain washer 5/16" x 1" OD	AR	T021B	Drain plug-fuel tank	1
F511BB	Bolt-tank strap	4	* included with T021 fuel tank		
H080A	'MG' motif-spare wheel (<i>wire wheels</i>)	1	T022	Gearbox cover	1
H250	'MG' motif-spare wheel (<i>disc wheels</i>)	1	T023	Passenger footrest panel	1
H509	Bonnet badge "1500"	2	T034	Scuttle frame assembly	1
H513	Union Jack - metal	AR	T034A	Dashboard main panel-steel	1
R358	Rubber strip-body mount (mtr)	1	T037A	Tool box cover	1
R918	Seal-pedal box	1	T060	Spare wheel carrier frame-wire wheel	1
R918A	Pad-chassis hoop	1	T128	Mount panel-number plate (<i>front & rear</i>)	2
T001DK	Fixing kit - front wings	1	T129	Bracket - rear number plate	1
T001LTF	Front wing LH	1	T130	Bracket-rear number plate lamp	1
T001RTF	Front wing RH	1	T131	Brackets-front number plate (<i>pr</i>)	1
			T352	Cover plate-master cylinder	1
			T532	Battery tray	1
			T600DK	Fitting kit - body to chassis	1
			T600FK	Fixing kit - body panels	1
			T600JK	Fixing kit - bulkhead	1





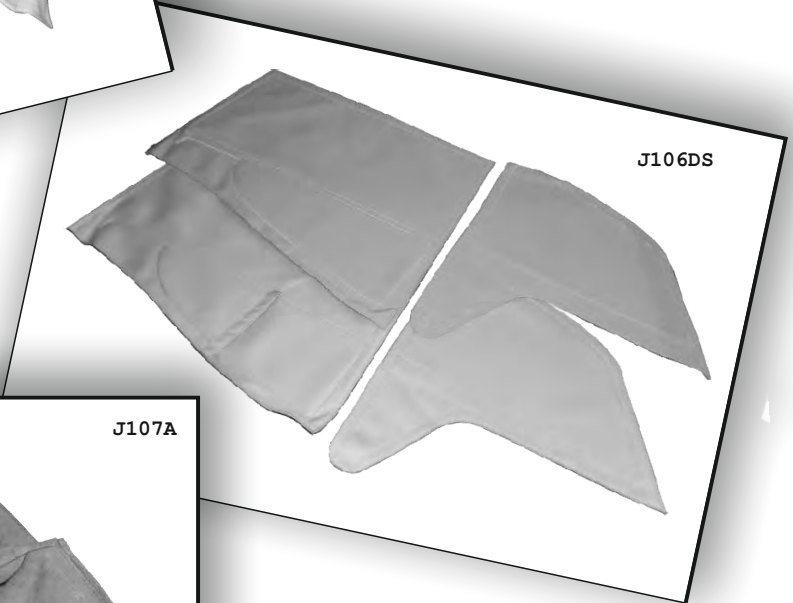
J107DS



Our quality hood, sidescreen and tonneau covers are reproduced to factory design and closely follow detail as to the correct size and type of rear window, rear 'apron' above rear window, rear and side flaps to cover fixings and top edge of sidescreens. A separate strip is provided with windscreen seal flap 'hidem' banding and metal finishers for covering the front (wood) rail. It is recommended that the front rail (T530) and rear top finisher set (T515A) be replaced as these take the strain of the hood.



We are able to offer the original tan, (correct for all post war cars) or black (correct for TA-TB, and optional for post war cars) at a price that represents first rate value for a high quality product. Best quality vinyl hooding is offered as an option, various colours available to special order as well as black & tan.





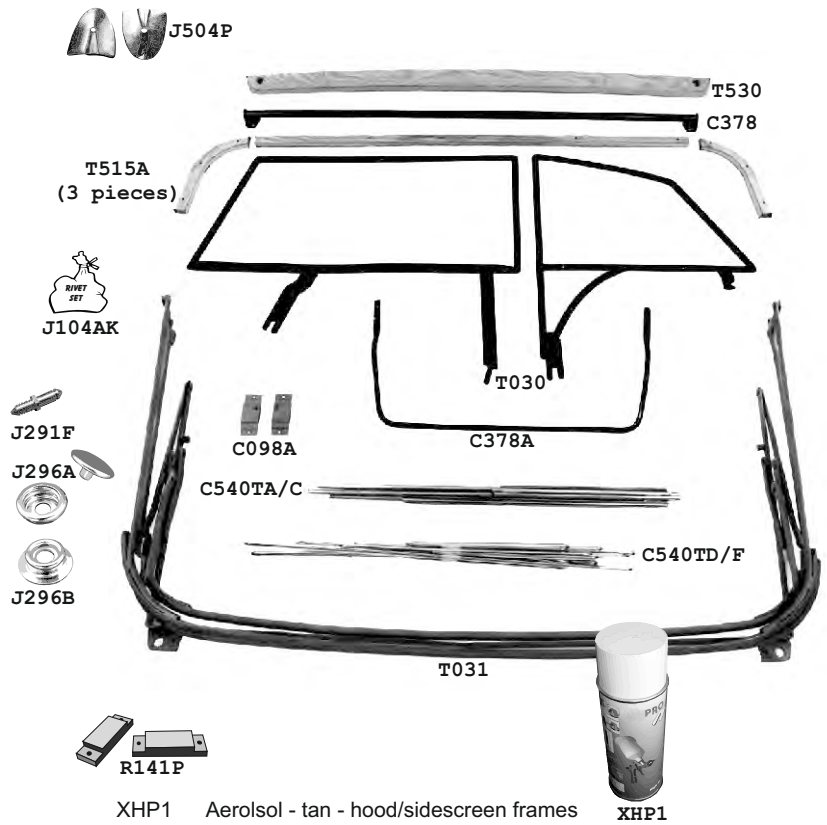
Weather Equipment



British Motor Heritage Approved

	TA	TC	TD	TF	YT	
C095	Half wing nut-sidescreen retrn	4	4	4	4	6
C096	Wing bolt-hood rail to w/screen	2	2	2	2	2
C098	Door socket-front sidescreens	2	2	2	2	2
C098A	Sleeves-rear sidescreens (pr)	1	1	1	1	0
C174	Sidescreen plate with stud	0	0	4	4	0
C174T	Sidescreen plate with stud+TB	4	0	0	0	0
C174TC	Sidescreen plate with stud	0	4	0	0	6
C540A	Screw & nut (carset)-strip set	1	1	1	1	0
C540AY	Screws & nuts sidescreen strip set	0	0	0	0	1
C540T	Sidescreen strip set-stainls+TB	1	1	0	0	0
C540TD1	Strip set-s/screens-2 bow-chrome	0	0	1	0	0
C540TD2	Strip set-s/screens-3 bow-chrome	0	0	1	0	0
C540TF	Strip set-s/screens-chrome	0	0	0	1	0
C540Y	Strip set-s/screens-stainless	0	0	0	0	1
F950CP	Screw-sidescreen plate	0	0	16	16	0
F950CS	Screw-sidescreen plate	12	16	0	0	24
* J009	Socket-hood rail-w/screen peg	2	2	2	2	2
J291A	Socket-lift-a-dot-(fits J291E)	---	A/R	---	---	---
J291E	Peg-tonneau to body	---	A/R	---	---	---
J291F	Lift-a-dot peg (long) machine screw	---	A/R	---	---	---
J296A	Durable dot fastener button	---	A/R	---	---	---
J296B	Durable dot fastener stud	---	A/R	---	---	---
J378A	Tonneau hoops-back of seats (pr)	0	0	0	1	0
J378T	Tonneau rail-back of seat+TB	1	0	0	0	0
J378TC	Tonneau rail-back of seat	0	1	0	0	0
J378TD	Tonneau rail-back of seat	0	0	1	0	0
R141P	Buffer set - hood frame	1	1	1	0	0
T030	Sidescreen frame set (4)	1	1	1	1	1
T031	Hood frame	1	1	1	1	1
T031K	Fixing kit - RR hood bow to cover	1	1	1	1	0
T515A	Rear top finisher set (3 pc)	1	1	1	1	0
T530	Front hood rail (wood)	1	1	1	1	1

* only for TD/TF & TA/TB/TC if new repro frame fitted



J031A	Webbing - black - hood (carset) - T series
J031D	Webbing - tan - hood (carset) - T series & YT
J100A	Hood-black duck 2 window TA/B
J100AM	Hood-black mohair 2 window TA/ B
J100AS	Hood-black stayfast 2 window T A /B
J100D	Hood-tan duck 2 window TA/B
J100DM	Hood-tan mohair 2 window TA/B
J100DS	Hood-tan stayfast 2 window TA/ B
J101A	Sidescreen covers-black duck TA/B
J101AM	Sidescreen covers-black mohair
J101AS	Sidescreen covers-black stayfast
J101D	Sidescreen covers-tan duck TA/B
J101DM	Sidescreen covers-tan mohair TA /B
J101DS	Sidescreen covers-tan stayfast
J102A	Hood-black duck-2 window TC
J102AM	Hood-black mohair 2 window TC
J102AS	Hood-black stayfast 2 window TC
J102D	Hood-tan duck-2 window TC
J102DM	Hood-tan mohair 2 window TC
J102DS	Hood-tan stayfast 2 window TC
J103A	Hood-black duck-1 window TC - October 1948 onwards
J103AM	Hood-black mohair 1 window TC
J103AS	Hood-black stayfast 1 window TC
J103D	Hood-tan duck-1 window TC - October 1948 onwards
J103DM	Hood-tan mohair 1 window TC
J103DS	Hood-tan stayfast 1 window TC
J104A	Sidescreen covers black duck TC
J104AK	Rivet set - rear sidescreens
J104AM	Sidescreen covers black mohair
J104AS	Sidescreen covers black stayfast
J104D	Sidescreen covers tan duck TC
J104DM	Sidescreen covers tan mohair TC
J104DS	Sidescreen covers tan stayfast
J105A	Hood-black duck 2 bow TD
J105AM	Hood-black mohair 2 bow TD
J105AS	Hood-black stayfast 2 bow TD
J105D	Hood-tan duck 2 bow TD
J105DM	Hood tan mohair 2 bow TD
J105DS	Hood tan stayfast 2 bow TD
J106A	Sidescreen covers black duck 2 bow TD up to chassis 20373
J106AM	Sidescreen covers black mohair 2 bow
J106AS	Sidescreen covers black stayfast 2 bow
J106D	Sidescreen covers tan duck 2 bow TD up to chassis 20373
J106DM	Sidescreen covers tan mohair TD
J106DS	Sidescreen covers tan stayfast TD
J107A	Hood-black duck 3 bow TD
J107AM	Hood-mohair black
J107AS	Hood-stayfast black

J107D	Hood-tan duck 3 bow TD
J107DM	Hood-mohair tan
J107DS	Hood-stayfast tan
J108A	Sidescreen covers black duck 3 bow TD
J108AM	Sidescreen covers black mohair
J108AS	Sidescreen covers stayfast black
J108DM	Sidescreen covers mohair tan
J108DS	Sidescreen covers stayfast tan
J108D	Sidescreen covers tan duck 3 bow TD
J109A	Hood-black duck TF
J109AS	Hood-Stayfast
J109D	Hood-tan duck TF
J109DS	Hood-Stayfast
J110A	Sidescreen covers black duck TF
J110AS	Sidescreen covers-Stayfast
J110D	Sidescreen covers tan duck TF
J110DS	Sidescreen covers-Stayfast
J111A	Hood - black canvas YT
J111AS	Hood -black stayfast YT
J111AM	Hood - black mohair YT
J112DS	Sidescreen covers - tan stayfast YT
J120A	Half tonneau-black duck TA/B
J120D	Half tonneau-tan duck TA/B
J122A	Half tonneau-black duck TC
J122D	Half tonneau-tan duck TC
J125A	Half tonneau-black duck TD
J125D	Half tonneau-tan duck TD
J129A	Half tonneau-black duck TF
J129D	Half tonneau-tan duck TF
J130A	Full tonneau-black duck TA/B
J130D	Full tonneau-tan duck TA/B
J132A	Full tonneau-black duck TC
J132D	Full tonneau-tan duck TC
J135A	Full tonneau-black duck TD
J135D	Full tonneau-tan duck TD
J139A	Full tonneau black duck TF
J139AS	Full tonneau-Stayfast
J139D	Full tonneau-tan duck TF
J139DS	Full tonneau-Stayfast
J140A	Full tonneau-black canvas YT
J140AM	Full tonneau-black mohair YT
J140AS	Full tonneau-black stayfast YT
J140L	Strap-tonneau cover (in boot) YT
J504P	Ends - hood - hidem (pair) T series
J505A	Hidem strip - hood - black duck T series & YT
J505D	Hidem strip - hood - tan duck T series & YT

} chassis 20374 onwards

XHP1 Aerosol - tan - hood/sidescreen frames XHP1



All our interior components are to factory specifications. Seat kits have leather wearing surfaces, with vinyl leathercloth backs as original. TF seat covers are are supplied complete with covered fibreboard backs.



J001DT	Seat kit-beige	TA/B	J010DTD	Seats-beige	TD
J001DTC	Seat kit-beige	TC	J010ET	Seats-apple green	TA/B
J001DTD	Seat kit-beige	TD	J010ETC	Seats-apple green	TC
J001DTF	Seat kit-beige	TF	J010ETD	Seats-apple green	TD
J001ET	Seat kit-apple green	TA/B	J010GTD	Seats-BRG	TD
J001ETC	Seat kit-apple green	TC	J010MT	Seats-red	TA/B
J001ETD	Seat kit-apple green	TD	J010MTC	Seats-red	TC
J001FTF	Seat kit-tan	TF	J010MTD	Seats-red	TD
J001GTF	Seat kit-BRG	TF	J011ATF	* Seats-black (pr)	TF
J001MT	Seat kit-red	TA/B	J011DTF	Seats-beige (pr)	TF
J001MTC	Seat kit-red	TC	J011FTF	Seats-tan (pr)	TF
J001MTD	Seat kit-red	TD	J011GTF	Seats-BRG (pr)	TF
J001MTF	Seat kit-red	TF	J011MTF	Seats-red (pr)	TF
J001STF	Seat kit-suede green	TF	J011STF	Seats-suede-green (pr)	TF

COMPLETE SEATS

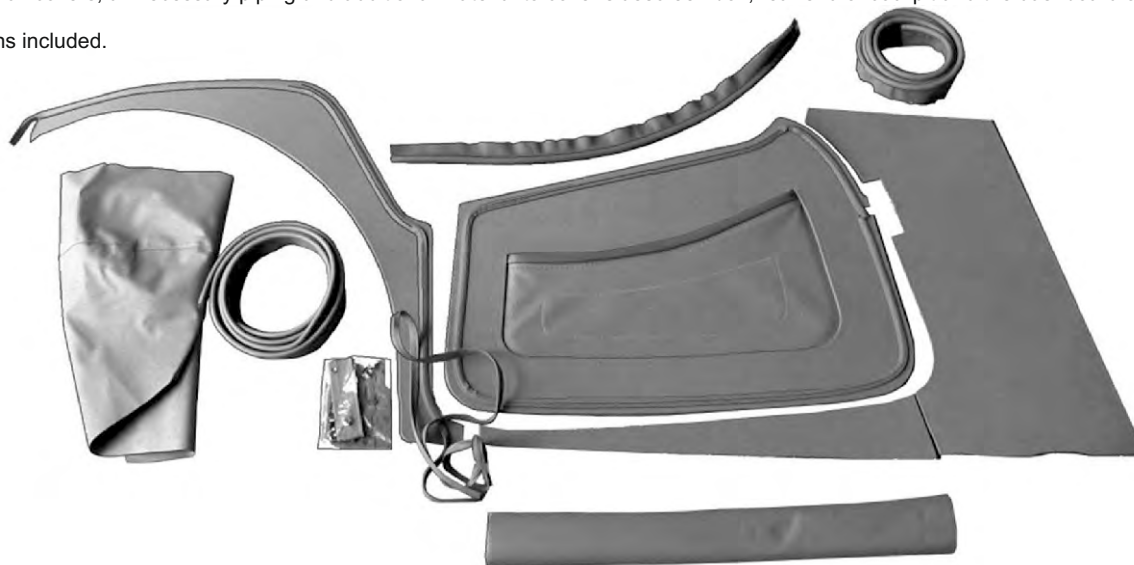
J010AT	* Seats-black	TA/B
J010ATC	* Seats-black	TC
J010ATD	* Seats-black	TD
J010DT	Seats-beige	TA/B
J010DTC	Seats-beige	TC

SEAT COVERING KITS

J001AT	* Seat kit-black	TA/B
J001ATC	* Seat kit-black	TC
J001ATD	* Seat kit-black	TD
J001ATF	* Seat kit-black	TF

Interior panel kits include covered door panels with leather edged pockets, scuttle-pads, under door fillets and wheel arch panels with 'hidem' banding. Tailored wheel arch covers, all necessary piping and additional material to cover sidescreeen box, rear end of cockpit and the dashboard on late TC, TD and TF.

Fitting instructions included.



INTERIOR PANEL KITS

J003AT	* Interior kit-black	TA/B	J003ETC	Interior kit-apple green	TC
J003ATC	* Interior kit-black	TC	J003ETD	Interior kit-apple green	TD
J003ATD	* Interior kit-black	TD	J003FTF	Interior kit-tan	TF
J003ATF	* Interior kit-black	TF	J003MT	Interior kit-red	TA/B
J003DT	Interior kit-beige	TA/B	J003MTC	Interior kit-red	TC
J003DTC	Interior kit-beige	TC	J003MTD	Interior kit-red	TD
J003DTD	Interior kit-beige	TD	J003MTF	Interior kit-red	TF
J003DTF	Interior kit-beige	TF	J003STF	Interior kit-red	TF
J003ET	Interior kit-apple green	TA/B			

Separate piping & sundries are included with trim kits J003

* Black is offered as a non original option. Certain other special colours available - please enquire for details

	TA	TB	TC	TD	TF	YT		TA	TB	TC	TD	TF	YT	
J005AD	Piping-int less doors Beige	1	1	1	1	0	J005CF	Piping dash top Tan 9mm	1	1	1	1	0	1
J005AM	Piping-int less doors Red	1	1	1	1	0	J005CG	Piping dash top BRG 9mm	1	1	1	1	0	1
J005AE	Piping-int less doors Apple Green	1	1	1	1	0	J005CM	Piping dash top Red 9mm	1	1	1	1	0	1
J005AF	Piping-int less doors Tan	1	1	1	1	0	J005CS	Piping dash top Suede Green 9mm	1	1	1	1	0	1
J005AS	Piping-int less doors Suede Green	1	1	1	1	0	J005DD	Piping dash top Beige	0	0	0	0	1	0
J005BD	Piping door top leather Beige	1	1	1	1	0	J005DM	Piping dash top Red	0	0	0	0	1	0
J005BM	Piping door top leather Red	1	1	1	1	0	J005DF	Piping dash top Tan	0	0	0	0	1	0
J005BE	Piping door top leather Apple Green	1	1	1	1	0	J005DS	Piping dash top Suede Green	0	0	0	0	1	0
J005BF	Piping door top leather Tan	1	1	1	1	0	J005ED	Dash trim roll Beige	0	0	0	0	1	0
J005BS	Piping door top leather Suede Green	1	1	1	1	0	J005EM	Dash trim roll Red	0	0	0	0	1	0
J005CA	Piping dash top Black 9mm	1	1	1	1	0	J005EF	Dash trim roll Tan	0	0	0	0	1	0
J005CD	Piping dash top Beige 9mm	1	1	1	1	0	J005ES	Dash trim roll Suede Green	0	0	0	0	1	0
J005CE	Piping dash top Apple Green 9mm	1	1	1	1	0								



Interior (cont)



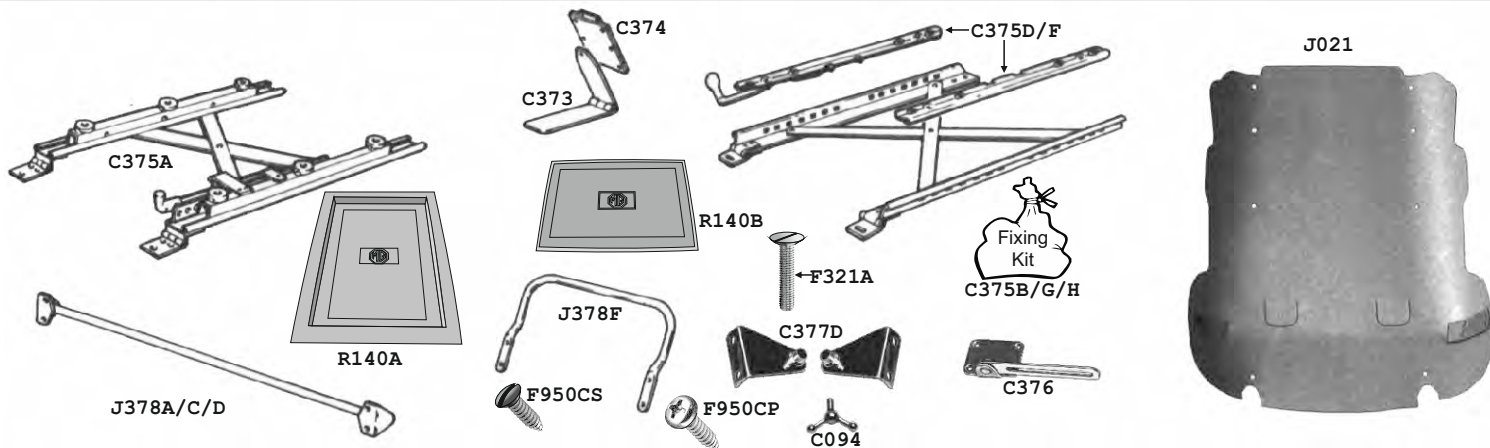
British Motor
Heritage Approved

PART	DESCRIPTION	QTY PER CAR						TA	TC	TD	TF
		TA	TC	TD	TF						
J006	Seat bases + foam (<i>pair</i>)	0	1	0	0	J007A	Backboard + spring assbly +TB	1	0	0	0
J006A	Seat bases + foam (<i>pair</i>) +TB	1	0	0	0	J007C	Backboard + spring assembly	0	1	0	0
J006D	Seat bases + foam (<i>pair</i>)	0	0	1	0	J007D	Backboard + spring assembly	0	0	1	0
J006F	Seat bases + foam (<i>pair</i>)	0	0	0	1	J008L	Seat frame LH	0	0	0	1
J006AK	Foams only (<i>pair</i>)	1	1	1	1	J008R	Seat frame RH	0	0	0	1
						J008S	Padding & foam kit (car set)	0	0	0	1

CARPETS

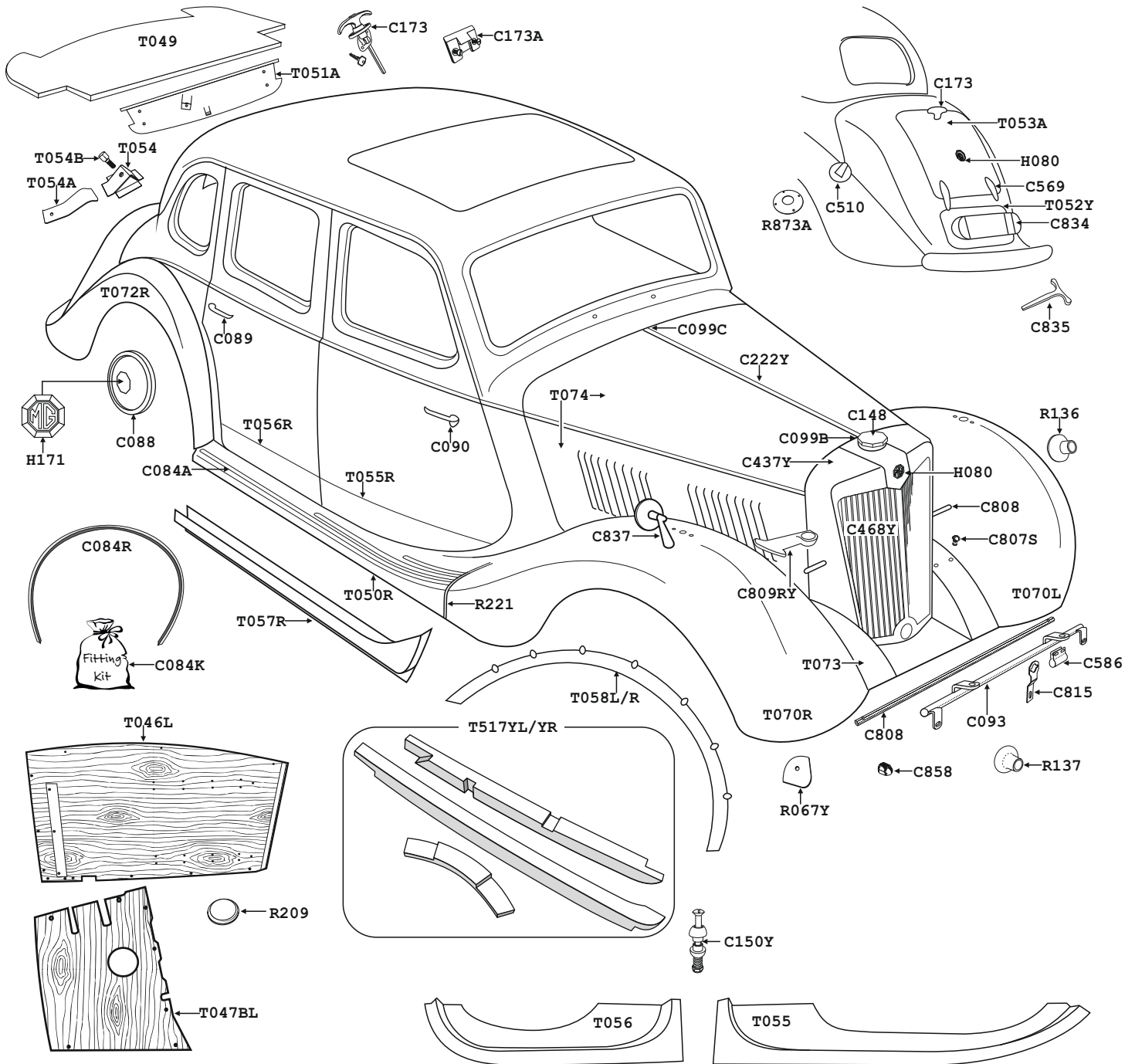
Our carpet sets are supplied in material as close to the originals as possible. These cover all areas originally carpeted plus rear cockpit deck. Also includes all fixings. All standard carpet sets are supplied in black (as per factory originals), but please enquire for other colours.

J145	Carpet set	YA/YB/YT	J301AS	Carpet set (<i>late LHD</i>) with footwell recess 5 speed conversion
J299	Carpet set + MG heel mat	TA/TB/TC		TD from chassis 4236 + TF
J300	Carpet set RHD	TD/TF	J301S	Carpet set - (<i>early LHD</i>) flat floor 5 speed conversion
J300S	Carpet set-5 speed conversion RHD	TD/TF		TD to chassis 4236
J300T	Overmats RHD	TD/TF	J302S	Carpet-tunnel section only TD/TF
J301	Carpet set LHD early	TD	R140A	Footwell mat - MG - LHD TD/TF
J301A	Carpet set (<i>late LHD</i>) with footwell recess -	TD from chassis 4236 +TF	R140B	Heel mat - MG motif TA/TB/TC



MISCELLANEOUS TRIM & HARDWARE

		TA	TC	TD	TF		TA	TC	TD	TF	
C094	Wing bolt-seat adjuster	2	2	2	0	J378A	Tonneau rail (<i>for seat back</i>)	1	0	0	0
C373	Hinged plate-seat to backrest	2	2	2	0	J378C	Tonneau rail (<i>for seat back</i>)	0	1	0	0
C374	Sleeve-backrest hinge	2	2	2	0	J378D	Tonneau rail (<i>for seat back</i>)	0	0	1	0
C375A	Seat runner set-complete	1	1	0	0	J378F	Tonneau hoops-pr (<i>for seat back</i>)	0	0	0	1
C375B	Fixing kit-seat runners to seats+TB	1	1	0	0	J494	Draught excluder-steering column	0	0	1	1
C375D	Seat runner set-complete	0	0	1	0	J495	Draught excluder-gear lever	0	0	1	1
C375F	Seat runner set-complete	0	0	0	1	J496	Draught excluder-handbrake lever	1	1	0	0
C375G	Fixing kit-seat runners to seats	0	0	1	1	J497A	Draught excluder-handbrake lever	0	0	1	1
C375H	Fixing kit - seat runners to floor	1	1	1	1		Loose material as used in trim kits:				
C376	Seat adjusters-backrest (<i>pr</i>)	1	1	1	0	J004A	Black leathercloth	1.25m	X	1m	
C377A	Brackets-wheel arch (<i>for seats</i>)	1	0	0	0	J004D	Beige vinyl leathercloth	1.25m	X	1m	
C377B	Dome nut & bolt-whl arch brckt	0	0	4	0	J004E	Apple green leathercloth	1.25m	X	1m	
C377C	Brackets-wheel arch (<i>for seats</i>)	0	1	0	0	J004F	Tan leathercloth	1.25m	X	1m	
C377CK	Fixings - wheel arch bracket	0	1	0	0	J004G	British racing green	1.25m	X	1m	
C377D	Brackets-wheel arch (<i>for seats</i>)	0	0	1	0	J004M	Red leathercloth	1.25m	X	1m	
F061	Nut-2 BA brass (<i>for J291D</i>)	---	A/R	---		J004S	Suede green leathercloth	1.25m	X	1m	
F321A	Screw - slotted - seat base M6 x 20	---	A/R	---		J465A	Black Hidem banding	metre			
F950CP	Screw - Pozi s/s 3/4"	---	A/R	---		J465D	Beige Hidem banding	metre			
F950CS	Screw - slotted s/s 3/4"	---	A/R	---		J465E	Apple green Hidem banding	metre			
J020C	Under dash panel kit-black	0	1	0	0	J465F	Tan Hidem banding	metre			
J020A	Under dash panel kit-black	1	0	0	0	J465M	Red Hidem banding	metre			
J020D	Under dash panel kit-black	0	0	1	0	J465S	Suede green Hidem banding	metre			
J021	Under dash panel	0	0	0	1	J142A	Black carpet-1.5m x 1m } <i>cuts without</i>				
J022	Lining-sidescreen box-black felt	1	1	1	1	J142M	Red carpet- 1.5m x 1m } <i>fraying</i>				
J023	Lining-tool box-white felt	0	1	1	1		All T & Y types were originally fitted with leathercloth covered piping in colours to match the paintwork. However, some owners prefer to have piping to match the interior colour trim. We therefore offer the following colours:-				
J073C	Trim roll-dashboard top-uncovered	0	0	0	1	J041A	Wing piping-leathercloth-black	carset	T-Type	+ Y	
J081	Glove box casing-LH & RH	0	0	1	0	J041D	Wing piping-leathercloth-beige	carset	T-Type	+ Y	
J081A	Upper liners-glove box casing (<i>pr</i>)	0	0	0	2	J041F	Wing piping-leathercloth-tan	carset	T-Type	+ Y	
J081BL	Glove box-metal casing-LH	0	0	0	1	J041G	Wing piping-leathercloth-BRGreen	carset	T-Type	+ Y	
J081BR	Glove box-metal casing-RH	0	0	0	1	J041M	Wing piping-leathercloth-red	carset	T-Type	+ Y	
J085	Bonnet rest tape (<i>radiator shell</i>)	1	1	1	1	J041S	Wing piping-leathercloth-suede green	carset	T-Type	+ Y	
J239	Felt strip-chassis (2 metres)	---	A/R	---		J041W	Wing piping-leathercloth-white/cream	carset	T-Type		
J291A	Socket-'Lift a Dot'	---	A/R	---		J144A	Black plastic wing piping-per metre				
J291C	Nylon washer-for 'Lift a Dot' peg	---	A/R	---							
J291D	Peg-'Lift a Dot'-machine screw	---	A/R	---							
J291E	Peg-'Lift a Dot'-self tapping	---	A/R	---							
J292	Turn button-tonneau/hood	---	A/R	---							
J292A	Socket-turn button	---	A/R	---							
J293	Peg-'Lift a Dot' double fixing	---	A/R	---							
J293A	Screw for above	---	A/R	---							
J294	Carpet fastener (2pc)(on carpet)	---	A/R	---							
J295	Carpet stud (2pc)(on floor)	---	A/R	---							



Rubber Parts

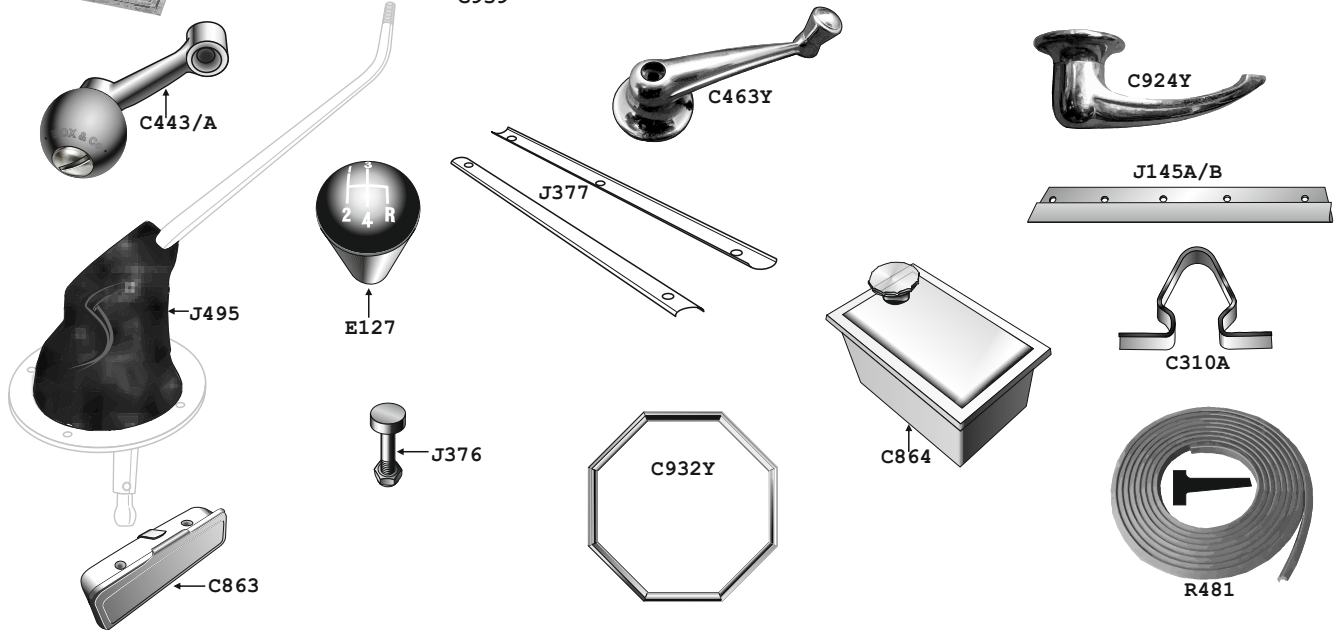
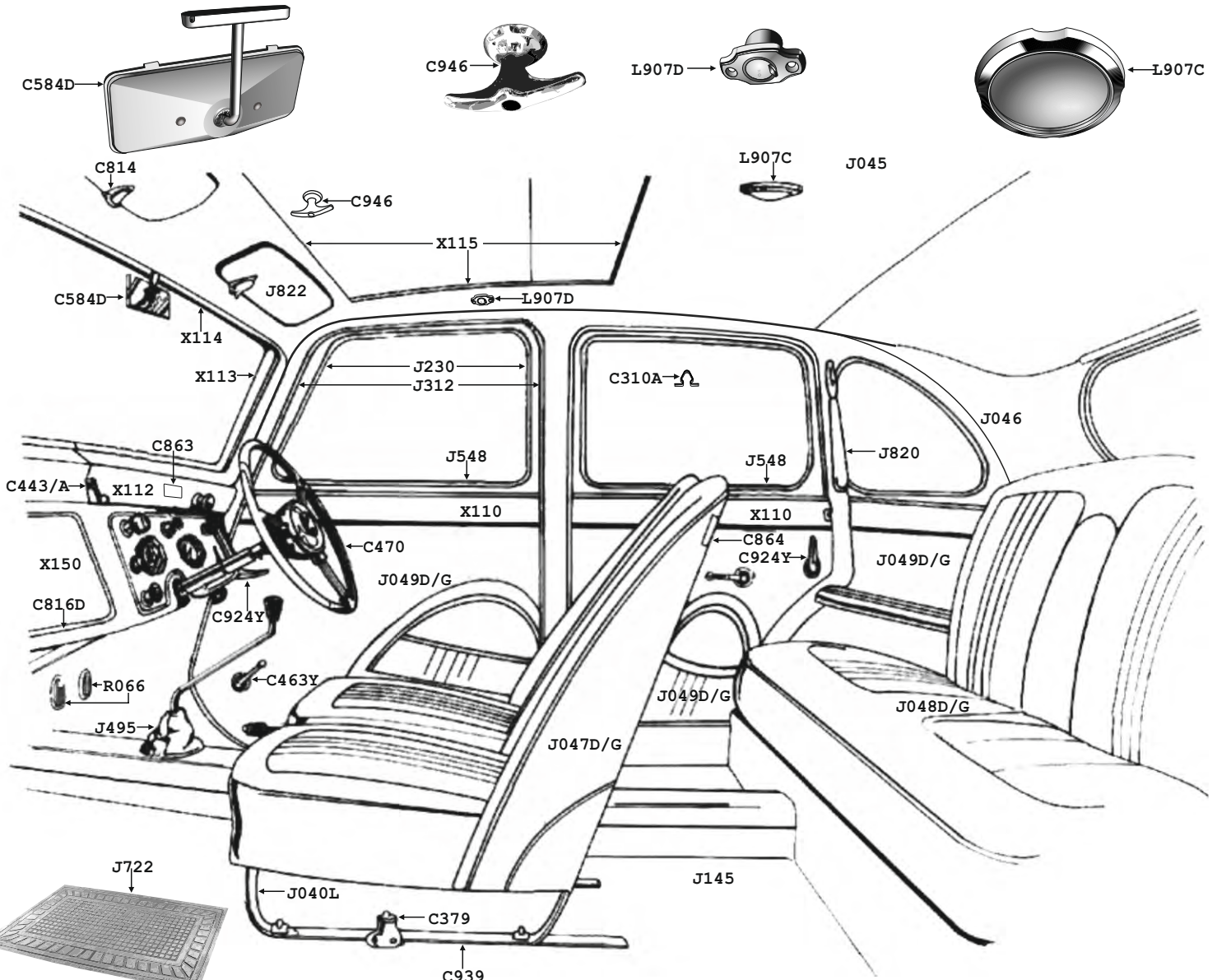
R066	Pedal pad rubber	2	R221	Pad - running board to wing	2
R067Y	Bonnet corner rubber	2	R313	Seal - windscreen to body	1
R069Y	Pad set - windscreen mount	1	R348	Grommet - wiper spindle	2
R076	Seal - windscreen	1	R405	Seal - boot lid + spare wheel cover	2
R081	Gasket - door handle	4	R478	Pad - headlamp bracket	2
R116	Seal set - 'D' lamp	2	R480	Seal - rear & side windows (carset)	1
R132D	Grommet - choke + starter cable	1	R481	Seal - door edge	4
R132Y	Grommet - wiring harness/bulk head	1	R560	Grommet - wiper blade	2
R133	Rim seal - rubber head lamp	2	R561	Seal - sidelamp rim	2
R136	Grommet - headlamp bar	2	R591K	Seal fuel neck/floor	1
R137	Grommet - front bumper	2	R806	Seal - sunroof - rear	1
R169Y	Buffer - bonnet - top	8	R822K	Set 4 bonnet side buffers	1
R182	Pad - override	8	R873	Grommet - fuel filler	1
R195	Seal - sunroof - front	1	R873A	Seal - fuel neck/inner wing	1
R209	Plug - tunnel access	1	R918	Seal - pedal box	1



		YA	YB	YT			YA	YB	YT
C084A	Tread strip set-running boards	1	1	1	T046R	Floorboard-main RH RHD	1	1	1
C084K	Fixing-screw+nut+washer-treadstrips	1	1	1	T046TL	Floorboard-main passenger side	0	0	1
C084R	Rubber only C084 tread strip strips	1	1	1	T046TR	Floorboard-main passenger side	0	0	1
C088	Hub cap with 'MG' motif	0	4	0	T047AL	Floorboard-front LH RHD	1	1	1
C088B	Hub cap-plain	4	4	4	T047AR	Floorboard-front RH RHD	1	1	1
C090	Door handle-exterior-locking	1	1	1	T047BL	Floorboard-front LH LHD	1	1	1
C093	Badge bar-with foglamp brackets	1	1	1	T047BR	Floorboard-front RH LHD	1	1	1
C093A	Badge bar-plain (no brackets)	1	1	1	T049	Wood panel-boot floor	1	0	1
C093SS	Badge bar-stainless steel	1	1	1	T049YB	Wood panel-boot floor	0	1	0
C099B	Hinge support-bonnet-front	1	1	1	T050L	Running board-LH	1	1	1
C099C	Hinge support-bonnet-rear	1	1	1	T050R	Running board-RH	1	1	1
C148	Radiator cap	1	1	1	T051A	Step panel-boot floor	1	1	1
C150Y	Hinge pin-door	4	4	2	T051B	Boot floor-main panel	1	1	1
C173	Boot handle with lock & key	1	1	1	T052Y	Spare wheel locker cover	1	0	1
C173A	Striker-boot catch (on body)	1	1	1	T052YB	Spare wheel locker cover	0	1	0
C176A	Door check-front	2	2	2	T053	Boot lid-complete**	1	1	1
C176B	Door check-rear	2	2	2	T053A	Skin-boot lid	1	1	1
C222Y	Bonnet centre strip-chrome	1	1	1	T054	Bracket-spare wheel	1	1	1
C437C	Screw & nut-radiator to shell	10	10	10	T054A	Clamp-spare wheel retainer	1	1	1
C437Y	Radiator shell	1	1	1	T054B	Bolt-spare wheel retainer	1	1	1
C468Y	Slat-radiator	22	22	22	T055AL	Door repair panel-front inner-LH	1	1	0
C510	Fuel filler cap	1	1	1	T055AR	Door repair panel-front inner-RH	1	1	0
C569	Boot hinges-pair	1	1	1	T055L	Door repair panel-front outer-LH	1	1	0
C586	Badge clip-badge bar	----	A/R----		T055R	Door repair panel-front outer-RH	1	1	0
C807S	Screw & cup washer-fr valance (set 4)	1	1	1	T056AL	Door repair panel-rear inner-LH	1	1	0
C808	Bar-headlamp bracket support	1	1	1	T056AR	Door repair panel-rear inner-RH	1	1	0
C809LY	Headlamp bracket-LH	1	1	1	T056L	Door repair panel-rear outer-LH	1	1	0
C809RY	Headlamp bracket RH	1	1	1	T056R	Door repair panel-rear outer-RH	1	1	0
C815	Starting handle	1	1	1	<i>(all above repair panels approx 6"high)</i>				
C834	Keyhole cover-spare wheel locker	2	2	2	T057A	Bracket-sill to body-front	2	2	2
C834A	Spring-spare wheel locker cover	2	2	2	T057B	Bracket-sill to body-rear	2	2	2
C835	Key-spare wheel locker	2	2	2	T057L	Sill kit-lower body (3 pc) LH	1	1	1
C837	Wing mirrors-pair	1	1	1	T057R	Sill kit-lower body (3 pc) RH	1	1	1
C858	Dome nut-chrome-front bumper	2	2	2	T058L	Wheel arch repair section-LH	1	1	1
F041CS	Screw-exterior door/boot handle	----	A/R----		T058R	Wheel arch repair section-RH	1	1	1
F164L	Large washer-body panel fixing	----	A/R----		T070L	Front wing complete-LH	1	1	1
H080	Badge-radiator & boot lid	2	2	2	T070R	Front wing complete-RH	1	1	1
H171	* 'MG' motif-hubcap *YA/YT only on late cars	4	4	4	T071L	Front valance-LH	1	1	1
J041A	Wing piping-car set	1	1	1	T071R	Front valance-RH	1	1	1
J041G	Wing piping-car set	1	1	1	T072L	Rear wing-LH	1	0	1
J041L	Wing piping-car set	1	1	1	T072LYB	Rear wing-LH	0	1	0
J041M	Wing piping-car set	1	1	1	T072R	Rear wing-RH	1	0	1
J041S	Wing piping-car set	1	1	1	T072RYB	Rear wing-RH	0	1	0
J041W	Wing piping-car set	1	1	1	T073	Front apron	1	1	1
R067Y	Bonnet corner rubber	2	2	2	T074	Bonnet-4 piece	1	1	1
R176	Buffer door check	4	4	4	T075C	Lid only-spare wheel locker **	1	0	1
R209	Plug-tunnel access	1	1	1	T076	Fuel tank	1	1	1
R591Y	Seal-fuel neck/floor	1	1	1	T517YL	Door frame repair kit 3 piece LH	0	0	1
T038	Lid-battery box	1	1	1	T517YR	Door frame repair kit 3 piece RH	0	0	1
T046L	Floorboard-main LH LHD	1	1	1					

** Requires final fitting to car.

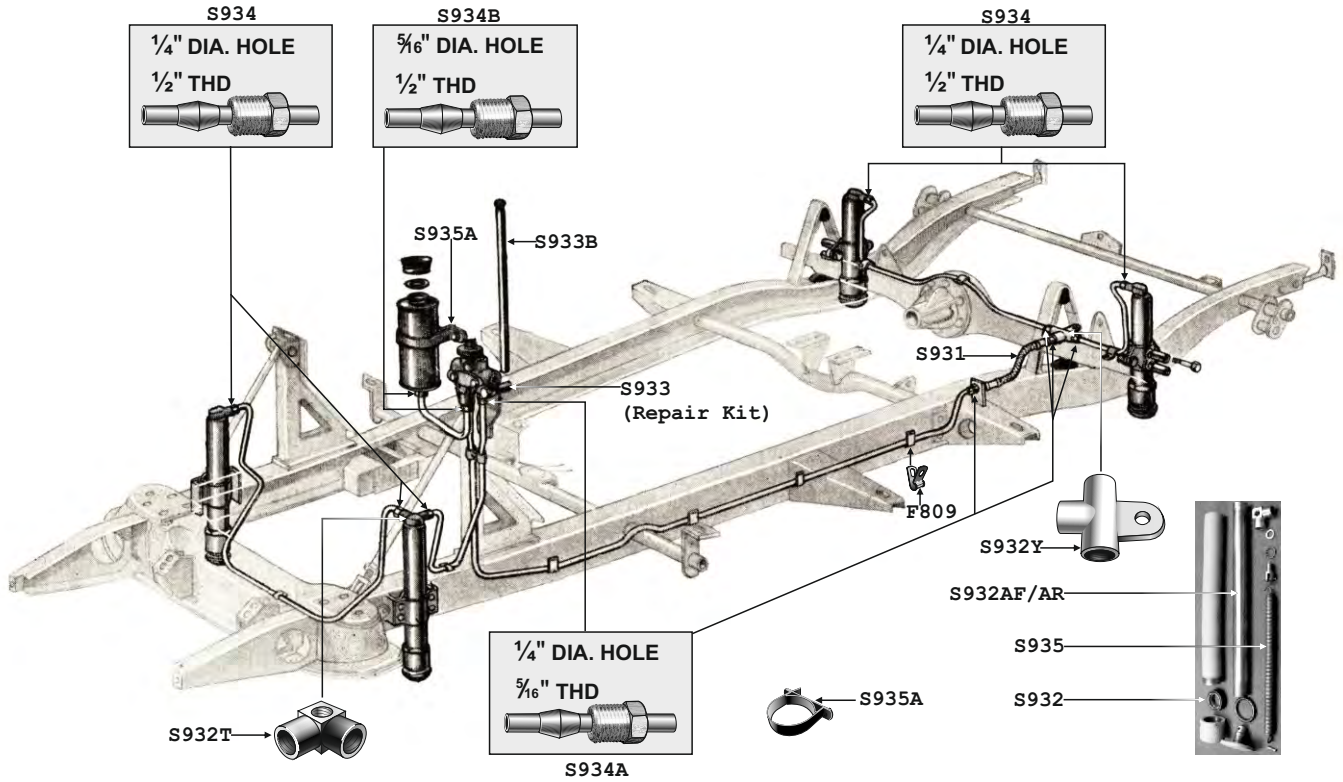




		YA	YB	YT			YA	YB	YT
C310A	Clip - weatherstrip	32	32	32	J049D	Panel kit-interior-beige	1	1	0
C379	Knob-seat runner	2	2	2	J049DT	Interior kit beige/brown	0	0	1
C440	Window regulator-front-L + R	2	2	0	J049G	Panel kit-interior-green	1	1	0
C441L	Window regulator-rear-LH	1	1	0	J049GT	Interior kit green/beige	0	0	1
C441R	Window regulator-rear-RH	1	1	0		<i>(comprises of: 4 door, 2 scuttle, 2 rear, and material for sundries)</i>			
C442	Pulley-front window cable	2	2	2	J085	Bonnet rest tape-radiator shell	1	1	1
C443	Adjuster assembly-windscreen	1	1	1	J145	Carpet set-black	1	1	1
C443A	Handle-w/screen adjuster	1	1	1	J145A	Carpet retainer set	1	1	0
C463Y	Handle-window winding	4	4	4	J145B	Carpet retainer set	0	0	1
C470	Steering wheel-beige <i>(less centre)</i>	1	1	1	J229FL	Drop glass carrier front LH	1	1	1
C482A	Door lock-LH front + RH rear	2	2	2	J229FR	Drop glass carrier front RH	1	1	1
C482B	Door lock-RH front + LH rear	2	2	2	J229RL	Drop glass carrier rear LH	1	1	1
C584D	Interior mirror-replacement	1	1	0	J229RR	Drop glass carrier rear RH	1	1	1
C584YL	Interior mirror LHD	0	0	1	J230	Window flex channel-door	4	4	0
C584YR	Interior mirror RHD	0	0	1	J312	Aperture trim-beige-rubbr & fabric	4	4	4
C584YT	Mirror-interior RHD	0	0	1		<i>(beige used with all interior colours)</i>			
C807A	Screw-dashboard to body	4	4	0	J376	Bolt set - seat runners <i>(per seat)</i>	1	1	1
C814	Bracket-sun visor <i>(chrome)</i>	2	2	0	J377	Seat runner strips - brass <i>(pair per seat)</i>	2	2	2
C816T	Chrome strip set dashboard	0	0	1	J390	Clip-door trim panel <i>(repro)</i>	40	40	40
C817	Hinge-glove box	2	2	2	J390P	Plate+clip-trim panel <i>(orig)</i> pk10	----	AR----	
C818	Knob-glove box	1	1	0	J494	Gaiter-steering column	1	1	1
C819	Ball catch-glove box	1	1	1	J495	Gaiter-gear lever-black	1	1	1
C862	Striker plate-door	4	4	4	J548	Weatherstrip-bottom of door glass <i>(C310A clips for above)</i>	8	8	0
C863	Ashtray-fascia	2	2	0	J722	Rubber heel mat - original design	2	2	2
C864	Ashtray-back of front seat	2	2	2	J820	Grab strap-beige with chrome ring	2	2	2
C865	Pin-door closure locating <i>(on door)</i>	4	4	4	J822	Sun visors-pair less C814 brackets	1	1	1
C865A	Chrome trim-door locating pin	4	4	4	J831A	Under felt-pvc backed <i>(soundproof)</i>	----	AR----	
C866	Locating plate-door pin <i>(on body)</i>	4	4	4	L907C	Interior roof light	1	1	0
C924Y	Handle-door-interior	2	2	2	L907D	Switch-interior light	1	1	1
C924YT	Interior door pull handles <i>(pair)</i>	0	0	1	R066	Pedal pad brake/clutch	2	2	2
C924B	Screw-interior handle locating	2	2	2	R076	Glazing strip-windscreen glass	1	1	1
C932Y	Octagonal bezel-chrome-instrument	3	3	3	R313	Surround seal-windscreen	1	1	0
C946	Handle-sunroof opening	1	1	0	R480	Seal-rear screen + fixed side windows	1	1	0
E127	Knob-gear lever	1	1	1	R481	Seal door edge	4	4	4
J040L	Seat frame-front LH	1	1	0	X110	Capping set-doors (4) exchange	1	1	0
J040R	Seat frame-front RH	1	1	0	X112	Fascia rail-windscreen exchange	1	1	1
J045	Headlining kit	1	1	0	X113	'A' Post wood trims- <i>(pr)</i>	1	1	0
J046A	Included in above - <i>not original finishing trim-headlining</i>	1	1	0	X114	Top bar wood-windscreen	1	1	0
J047D	Seat cover kit-front-beige <i>(pr)</i>	1	1	0	X115	Sunroof surround wood-set	1	1	0
J047G	Seat cover kit-front-green <i>(pr)</i>	1	1	0	X150	Dashboard-3 piece-RHD	1	1	0
J048D	Seat cover kit-rear-beige	1	1	0	X151	Dashboard-3 piece-LHD	1	1	0
J048G	Seat cover kit-rear-green	1	1	0					
J048DT	Seat kit-rear beige/brown	0	0	1					
J048GT	Seat kit-rear green/beige	0	0	1					

(all seat covers are remanufactured to original specifications-leather faces with vinyl backs)





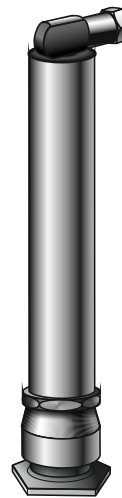
F809	Fixing clip - Jackall pipes	8
S931	Hose - Jackall rear axle	1
S932	Jack seal Y-Type	4
S932AF	Ram - Jackall Jack (stainless) front	2
S932AR	Ram - Jackall Jack (stainless) rear	2
S932T	2 Way brass union LHF jack	1
S932W	1 Way brass union	3
S932Y	3 Way union hose to rear pipes	1
S933	Seal kit - Jackall pump	1
S933B	Handle Jackall pump	1
S934	Tube nut + olive (1/2") Jackall 3 way union	5
S934A	Tube nut + olive (7/16") Jackall Jack	5
S934B	Tube nut + olive (1/2") Jackall pump to cannister	2
S934K	Pipe work kit Jackall system	1
S935	Spring - Jackall Jack internal front	2
S935A	Bracket - Jackall tank mount	1
S935R	Spring - Jackall Jack internal rear	2



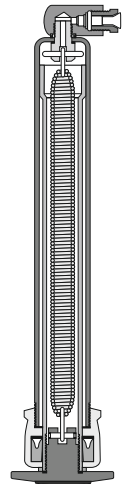
Jackall Pump



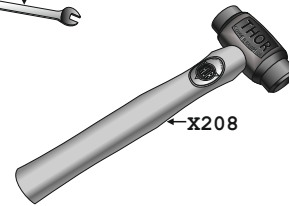
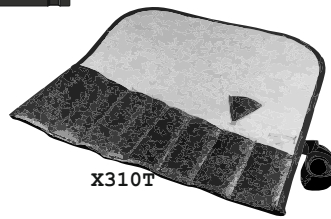
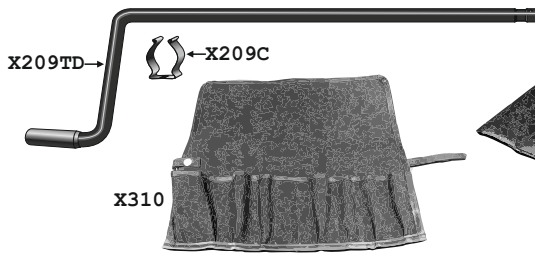
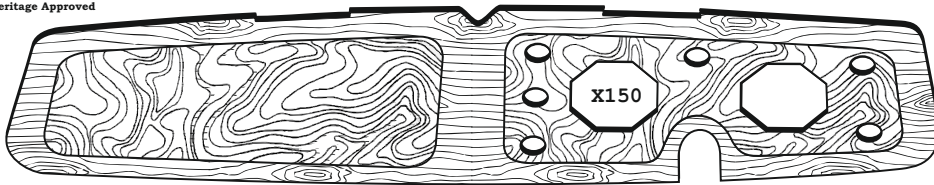
Jackall Reservoir



Jackall Ram



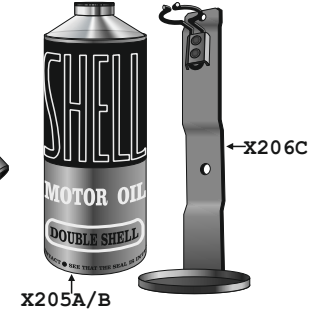
Cutaway Illustration of
Jackall Ram



X009A



C837



X205A/B

X206C

		TA	TC	TD	TF	YA	YB
C837	Wing mirrors-round (pair)	1	1	1	1	1	1
X009	Silicon brake fluid (<i>litre</i>)				A/R		
X009A	Brake fluid - DOT 4 500ml				A/R		
X013	Spoke brush-wire wheels				A/R		
X014	Adjusting spanner-spokes				A/R		
X018	Tyre-4.50" x 19" +TB	4	4	0	0	0	0
X018T	Tube-4.40" x 19" +TB	4	4	0	0	0	0
X019	Tyre-5.25" x 16" +YT	0	0	0	0	4	0
X019T	Tube-5.25" x 16" +YT	0	0	0	0	4	0
X030	Tyre-5.50" x 15"	0	0	4	4	0	4
X030T	Tube-5.50" x 15"	0	0	4	4	0	4
X107C	Dashboard-walnut veneered	1	1	0	0	0	0
X107D	Dashboard-walnut venred RHD	0	0	1	0	0	0
X107E	Dashboard-walnut venred LHD	0	0	1	0	0	0
X107F	Dashboard-walnut veneered	0	0	0	1	0	0
X109	Dashboard-uncovered				Y		
X109A	Dashboard-walnut veneered				Y		
X150	Dashboard-walnut veneer RHD	0	0	0	0	1	1
X151	Dashboard-walnut veneer LHD	0	0	0	0	1	1
X205A	Oil can 'Shell' -(<i>bulkhead</i>)	1	1	1	1	1	1
X205B	Oil can 'N.O.L'-(<i>bulkhead</i>)	1	1	1	1	1	1
X206C	Bracket - oil can + TB	1	1	0	0	0	0
X207	Battery box liner	0	0	1	1	0	0
X208	Copper mallet-wire wheels	1	1	1	1	1	1
X208A	Spanner-octagonal spinners	1	1	1	1	1	1
X209C	Clip-starting handle +TB	3	3	0	0	0	0
X209D	Clip-Starting Handle	0	0	3	3	0	0
X209T	Starting handle +TB	1	1	0	0	0	0
X209TD	Starting handle	0	0	1	1	1	1
X210	Spanner set-W/W(<i>open ended</i>)				A/R		
X211	Spanner set-AF combination				A/R		
X213	Spanner set-W/W combination				A/R		
X215	Jack kit	0	0	1	1	0	0
X302	Seat belt-inertia-front	0	0	0	0	2	2
X302A	Anchor point-'B' post	0	0	0	0	2	2
X310	Tool roll (<i>less tools</i>)	0	0	0	1	0	0
X310T	Tool roll (<i>less tools</i>)	0	1	1	0	0	0
X389	Hylomar gasket compound				A/R		
X392A	Pottery mug 'T' Type				A/R		

		TA	TC	TD	TF	YA	YB
X700	Washer kit-complete	1	1	1	1	1	1
X701	Foot valve-washer bottle	1	1	1	1	1	1
X702	Push pump-washer system	1	1	1	1	1	1
X703	Grommet-washer tube (<i>bulkhd</i>)	1	1	1	1	1	1
X704	Washer tubing-6mm (<i>metre</i>)				A/R		
X705	Washer tubing-5mm (<i>metre</i>)				A/R		
X706	3 way connector-washer sys	1	1	1	1	1	1
X707	Jet assembly-washer system	2	2	2	2	2	2
X883	Hide food 11oz				A/R		

PAINTS

X364	Aerosol-400ml black heat resistant (<i>exhaust</i>)
XBK1	Aerosol-400ml black
XBK2	Aerosol-400ml black crackle finish
XDP1	Aerosol-400ml bronze (<i>dashboard</i>)
XEP1	Aerosol-400ml red (<i>engine</i>)
XEP1BR	Brush-on-500ml red (<i>engine</i>)
XEP1BR	Brush-on-500ml red (<i>engine</i>)
XHP1	Aerosol-400ml tan (<i>hood/side screen frames</i>)
XP1	Aerosol-400ml primer

We can supply Cellulose paints in 1 Litre, 2.5 Litre & 5 Litre sizes. 40ml touch-up sizes (brush in cap) are also available for all colours listed below and numerous more non original colours.

XGN25	Aerosol-400ml shires green
XGN29	Aerosol-400ml woodland/british racing green
XGN32	Aerosol-400ml dark duo green
XGN33	Aerosol-400ml light duo green
XGN37	Aerosol-400ml almond silver
XGR25	Aerosol-400ml silver streak grey
XN001	Aerosol-400ml sun bronze
XRD14	Aerosol-400ml mg/reneo/regency red
XRD21	Aerosol-400ml maroon
XRD6	Aerosol-400ml autumn red
XWP1	Aerosol-400ml silver (<i>wheels</i>)
XWT3	Aerosol-400ml old English white
XYL6	Aerosol-400ml county cream



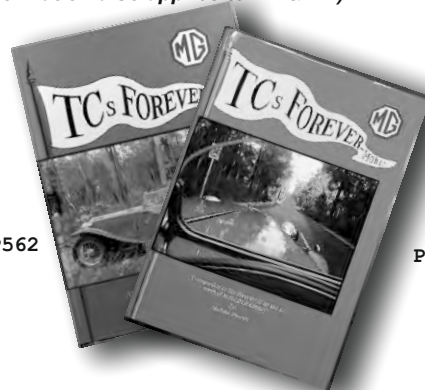
PUBLICATIONS

P005	Video - How to Rebuild XPAG Engines	
P112A	Instruction Manual TA/B	} <i>only factory manuals for TA/B/C</i>
P112B	Instruction Manual TC	
P115A	Workshop Manual TD/F	
P115B	Workshop Manual YA/T	
P115C	Workshop Manual YB	
P156W	Workshop Manual W4/5	
P234A	Service Parts List TA/B	
P234B	Service Parts List TC	
P234C	Service Parts List TD	
P234D	Service Parts List TF	
P234E	Service Parts List YA/T	
P234F	Service Parts List YB	
P234T	Service Parts List YT	
P415A	Drivers Handbook TD	
P415B	Drivers Handbook TF	
P415C	Instruction Book YA/T	

P415D	Drivers Handbook YB	
P416J	Drivers Handbook W4	
P549	T Series Restoration Guide	
P557	Original "T" Series - Clausager	
P560D	"Let There Be Ys" DVD	
The bible for the Y series owner. Contains all the information to restore a "Y" Type.		
P561	Y & Z Road Test - Brooklands	
P562	"TCs Forever" - Mike Sherrell	
P562A	"TCs Forever-More!" - Mike Sherrell. Companion to P562, 25 year update & aid to 21st century motoring.	
The bible for the TC owner. Contains all the information to restore a TC. (Most information also applies to TA & TB)		



X650	Evans Preparation Fluid	5 Litre
X650A	Evans Preparation Fluid	2 Litre
X651	Evans Vintage Cool	5 Litre
X652	Evans Classic Cool	5 Litre
X652A	Evans Classic Cool	2 Litre
X653	Evans Power Cool	5 Litre
X653A	Evans Power Cool	2 Litre



P562

P562A

How Classic Cool 180° works...

The rapid and efficient removal of heat energy generated by combustion is essential for all engines and even more important where an engine is regularly operating at maximum power. Traditional water-based coolants regularly cross the transition boundary that separates Efficient Nucleate Boiling from Inefficient Critical Heat Flux.

Benefits of Classic Cool 180° over water-based coolants

- Significantly increased boiling point eliminating the potential for localised vaporisation and overheating.
- Classic Cool 180° remains liquid at all engine operating loads, ensuring constant removal of heat energy from metal surfaces.
- With efficient heat transfer guaranteed, even at high engine loads, it is possible to increase fuel delivery and maximise engine performance without the worry of boil-over.
- 75% reduction of internal vapour pressure, eliminating stress on hoses, seals and cooling system components. With Classic Cool 180° it is possible to remove the cooling system cap without danger of flash-evaporation.
- By removing water and replacing it with Classic Cool 180°, the potential for oxidation, corrosion and galvanic corrosion is all but eliminated.
- Classic Cool 180° is proven to reduce liner pitting, caused by water cavitation, by more than 70% as confirmed by the John Deere ASTM test.

Advanced Protection

With decades of experience and development, Evans Waterless Engine Coolants are the choice of many professional restorers and collectors.

Evans have created Classic Cool 180° especially for older car engines, primarily fabricated from carbon steel plus some aluminium and copper.

With the emphasis on improving reliability, Evans keeps engines cool in the toughest of conditions.

Whether your car is an Eagle Jaguar, MGB-GT or Lotus, Classic Cool 180° prevents boil-over and eliminates H₂O corrosion.

What is Classic Cool 180°?

All Evans Waterless Coolants are 100% synthetic, with a boiling point above 180° C. Each formulation includes specialist inhibitors proven to prevent corrosion. Many collectors have had Evans Coolants in their cars for more than 15 years, without needing to change the coolant.



TD - PRODUCTION CHANGES 1950 - 1952



Chassis

TD 0501	Perforated disc wheels replace plain
TD 4237	Recessed rubber footwell (LHD cars)
TD 8142	5-Post regulator; separate fuse block
TD 10751	Magnetic tachometer & speedometer, rheostat panel light switch
TD 12285	Wheel nuts changed from BSF to UNF
TD 13913	Combined Oil/Water gauge unit
TD 18883	Foot operated dip switch fitted
TD 20374	3 Bow Hood & sidescreens fitted
TD 21303	Round tail lamps fitted (as TF)
TD 22251	Clutch cable replaced by rod type
TD 22315	Centrally mounted wiper motor
TD 22371	Flashing indicators incorporated

Engine

XPAG TD/2985	Wide oil filter retaining brackets
XPAG TD/9009	14 " Rocker shaft: wider rockers
XPAG TD2/9408	8" Clutch plate & cover assembly
XPAG TD2/14224	Integral oil filter/pump assembly
XPAG TD2/14948	Sump capacity increased to 10½ pints
XPAG TD2/17298	Long tappet screws, shorter pushrods
XPAG TD2/17969	Round cooling holes in cylinder block
XPAG TD2/20942	Distributor fixed with cotter bolt
XPAG TD2/20972	Priming plug fitted to oil pump cap
XPAG TD2/22735	Round cooling holes in head, ¾" plugs
XPAG TD2/24116	Camshaft changed to quieter (.012") type
XPAG TD2/24489	Distributor changed to Lucas No 40367

Contrary to popular opinion, there was no such model as a "TD2". As will be seen from this table, the engine number prefix was changed from XPAG/TD to XPAG/TD2 at the introduction of the 8" clutch. There was, however, a model known as a "MARK 11" or "TDC" model. This was a rare variant and featured extra friction shock absorbers, 1½" carbs, twin fuel pumps, larger valves, higher compression and a number of detail changes. It was offered as an additional model for almost the entire production run of the TD.



*copy of an early catalogue from 1975
....how times have changed!*



Originality - some comments and common misunderstandings

General points on exterior

- 1) Wing piping - matched the body paint colour, never a contrast.
- 2) Black weather equipment - only used on TA TB & very early TC, otherwise fawn, never vinyl, always canvas.
- 3) Chrome plating to parts originally painted body colour e.g. headlamp brackets, front apron screws & washers, badge bar brackets (TA/B/C), door hinges, fuel tank straps etc.
- 4) Fuel tank end plates were painted body colour with edges only left chrome, never chrome all over.
- 5) Grille slats were painted to match interior trim, only chrome on late TC/D Mark 2 models and TF.

Interior

- 1) Central instrument panels - edges only were plated, otherwise gloss black on walnut dashboards, metallic bronze on covered dashboards, bases of TA/B/C map lamps to match. TD dashboard was always covered in trim fabric to match the interior, never polished wood, therefore had a metallic bronze instrument panel.
- 2) Tan interior was only used on the TF, all others were a light beige whereas interiors are often seen in various shades of tan and brown. Black interiors were never used. Green interiors on TF were a more subdued colour than the brighter green used on TA/B/C/D.
- 3) Interior mirrors were never originally fitted to TA/B/C except 1948/9 late export TC. Windscreen pillar mirror on RH side was the only original fitment. For safety reasons today most people use this late TC interior mirror.
- 4) Interior piping was matching leathercloth all round cockpit, but leather on door piping and top edge of door pocket. Larger size (9mm) was used around top of dashboard except on TF where it was the same size as the cockpit piping, because of the trim roll (6mm).
- 5) TF dashboard main panel was painted to match the interior trim, not the body colour (unless of course it was the same as the exterior).

Paint Colours - some misunderstandings (not a comprehensive list)

- 1) British Racing Green (GN29) is a very popular colour but was actually quite rare as it was only used on late TDs when it was known as Woodland Green, never on TC or TF. This was the same as British Racing Green on 1960s MGB and Midget, BMC code GN29. The only other dark greens were Shires Green on TC, referred to on TA/B sales brochures as "Racing Green" a middle shade of dark green. Early TDs had two-tone paint scheme, metallic MG green (as TF green) on the body and fuel tank, Almond Green on wings and running boards (this combination is rarely seen today).
- 2) Ivory/Cream was quite a deep cream. Pure white and Old English White were never used on T Types.
- 3) MG Red/Regency Red/Reno Red - all the same colour. This was quite a full red, not as bright as MGA & MGBs, often taken to be the wrong colour when sampled, but a fine rich colour when applied.
- 4) Autumn Red was quite a deep maroon, the name is misleading.

Under the Bonnet - a few pointers

- 1) Originally the engine and gearbox assembly was painted dark red (brighter red on TA) except the sump, clutch housing and timing cover, but sometime during TD production the alloy parts were also painted dark red, sometimes including the dynamo and starter. The rocker cover was chrome plated on TA & TB, but painted greenish silver on post-war models other than a few TCs which had the superb flip-top alloy cover. Most people prefer to leave the alloy parts unpainted, this is generally considered to be acceptable other than by the most extreme purists.
- 2) Wire hose clips were not used until the TD, never on earlier models.
- 3) Engine bulkheads were black on TA & TB, grey on early TC, thereafter body colour on all models.
- 4) Protective strip around radiator shell was brown webbing on TA/B/C/D but rubber strip on TF.

Various sundry points

- 1) TD, TF and YT headlamps were originally fitted with BPF (British Pre-Focus) light units which used a separate bulb but have often been replaced by completely sealed beam units which did not appear during the period of production. Understandably more powerful modern units are often used today in order not to be "outshone" by modern cars. Some TDs had headlamp backshells painted body colour.
- 2) Tyres TD/TF - originally crossply, but mostly replaced by radials now. These should be 165 x 15, not as shown on some tyre makers' charts as 155 x 15 which reduce the rolling radius and look somewhat "skinny".
- 3) Door threshold plates reading "MG Car Company Limited" were only used pre-war, post-war models used plain plates, but most people prefer the lettered type.
- 4) Hoods (soft tops) are often seen folded with the material trapped between the metal frame bows. It should be pulled clear of the bows behind the cockpit, the corners folded in then folded forward over the frame. This will only work if it is covered by a tonneau, or it will be blown out to the rear of the car!
- 5) TF and YA/B wiper arms with blades were parked symmetrically on opposite sides of the scuttle top. This was easy to achieve as they are operated separately. They are often seen parked in the modern manner on the same side.

A note on the word "concours." This is often seen mis-spelt as "concourse" even in major classic car magazines. Concours is a French word and the "concours d'elegance" was originally a contest for the most elegant coachwork and fine craftsmanship and not a test of originality. However, things change and the modern event does place a great deal of store on being near to factory specification as few people have custom built coachwork these days!



NTG Motor Services Ltd – a Short History. Mike Green

In the late summer of 1966 Barry Naunton (TA & YB), Clive Tanner (MGA 1600 Mk2) and I (TD & MGA Twin Cam), were offered a partly dismantled TA in a back garden, which we bought for £15 (about \$20). We took it apart and kept some items for our own cars and advertised the rest for sale. We decided that we would use some of the funds to buy any other derelict MGs and use the proceeds to create a part-time business to pay for our hobby and provide a spares service for other enthusiasts. We bought various MG wrecks which would most likely otherwise have ended up as scrap metal, and we were fortunate in finding a local farm building which could accommodate about eight cars at a reasonable rent, later extending to a nearby shed containing pig pens (but no pigs) in which customers found it amusing that parts were stored in pens so they could not escape!



A young Mike working on his Y-Type in 1963

We thought that new spares were fairly readily available elsewhere, but when customers started asking for new parts we realised that it was not so easy, so we started a list of new items which eventually became the first edition of our catalogue. In 1969 Clive Tanner moved away from the district, and sold his share to my brother-in-law, Dick Bird (YB & ZA) who organised our book keeping and accounting as well as researching and sourcing many new parts to add to our inventory. In those early years Dick & I travelled round the country buying cars and parts for resale – these were the days of overalls and greasy hands! Later I ran a ZB Varitone with a trailer for displays and trade stands at various MG events.

Our first catalogue in 1970 was photocopied, but we soon produced a printed and illustrated version which continues to be developed and refined. We now offer three separate catalogues for T & Y Types, MGA & Z Types, and Farina Magnettes.

In 1971 Barry Naunton also moved away from Ipswich and sold his shares to Dick and me.

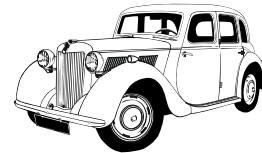
At first our new parts store was a garden shed, but it soon became obvious that we needed a proper shop where we could receive customers properly and operate an efficient mail order service, so in 1973 we settled for a premises at 25 St Peters Street, Ipswich and still had the farm buildings for cars and bigger stuff. We then took on our first full time employee, Chris McCarthy, as parts manager, and a part-time packer.

We became a limited company around 1975. In April 1977 we moved again to a much larger shop in the centre of Ipswich at 21 St Margarets Green giving us considerably more space including a huge cellar where we stored used parts. This became a source of interest for customers who could often find elusive items that were remains of our early days as MG dismantlers. We took on additional office and packing staff to cope with the increased business, and were invited to become founder members of British Motor Heritage.

In 1986 we purchased a new premises on the west side of Ipswich at 282-284 Bramford Road. This is ideal for our needs having enough space for our ever increasing stock, a small workshop area, and easy access from trunk roads. Paul Banyard had joined us just prior to this move, and his enthusiasm, computer skills and extensive knowledge of the cars and parts led him to launch a new range for the later Farina Magnette Mk3 & 4, also taking on the rest of this 1.5 litre range of saloons, Austin, Morris, Riley and Wolseley versions and another catalogue was produced for these models.

Dick and I remained as directors until 2000 when Dick retired and Paul Banyard became my co-director – younger blood for the 21st century!

We now run the business with the valued assistance of our telephone and online sales staff, and provide technical advice. Paul has built our webshop www.mgbits.com almost single handedly, and we now offer secure online shopping by credit/debit card and other methods. The website includes many excellent photographs of our range as well as interesting details of customers' cars and helpful information. We even have an online live help facility.



1 Callers

We are always pleased to receive callers at our stores during business hours of 9 am to 5 pm Monday to Friday and Saturday mornings from 10 am to 12.30 pm. Payment at our stores counter can be made by credit card or cash.

2 Prices and VAT

Carriage and packing charges are not included in prices shown in our price list. Please note that VAT is payable on the cost of goods and carriage/packing charges within the EU.

Overseas callers please note that VAT must be paid on goods collected, but we can provide a special form that must be stamped by Customs at the port of exit or entry. This can then be returned to us for a VAT refund.

3 Payment

Payments are accepted with order by credit card or cash by registered post. Payment by Bank Transfer should be made to : Lloyds Bank PLC., PO Box 4, 13 Cornhill, Ipswich Suffolk, IP1 1DG

IBAN NO: GB96LOYD30945502848113 BIC/SWIFT: LOYDGB21046 SORT CODE: 30-94-55 ACCOUNT: 02848113

4 Non-Deliveries and Discrepancies

It is essential that we are informed of non-deliveries within 21 days of placing the order as carriers will not accept liability unless notification is made within this period. Any such loss not made known to us becomes the consignee's liability. Any discrepancies in deliveries should be reported within 7 days of receipt.

5 Damaged Goods

Should you be unfortunate and receive goods that have been damaged in transit it is important that you retain all packaging materials intact and advise us immediately of the damage. Photographic evidence should be sent by email to sales@mgbits.com and any packaging materials must be made available for inspection by the carrier. Under no circumstances should any damaged article or packaging be returned to us unless you are instructed to do so.

6 Returns

If parts are sent to you which are faulty or incorrect we will rectify the problem. However, to ensure our prompt attention please do the following:

a) Contact us first and do not return any item without contacting us first. Please retain all packing materials in the case of damaged goods.

b) Where the mistake is ours goods will be replaced free of charge. In all other cases a handling charge will be made.

Unless customers follow the above procedure, we reserve the right to refuse delivery of returned goods. Parcels from overseas may be subject to extra customs and freight charges. They should in any case be marked "Goods of UK origin, returned faulty".

c) All components carry a normal and reasonable warranty of up to 9 months. Claims are limited to the value of the part.

d) When returning a part please complete the return from which is included with every order.

7 Despatch

All orders are sent using courier services. UK parcels are sent via APC Rapid Dispatch.

Overseas parcels are sent via UPS.

Large items or multiple parcels will be liable for additional costs. Please contact us for a carriage quote if you are unsure of how much the cost will be.

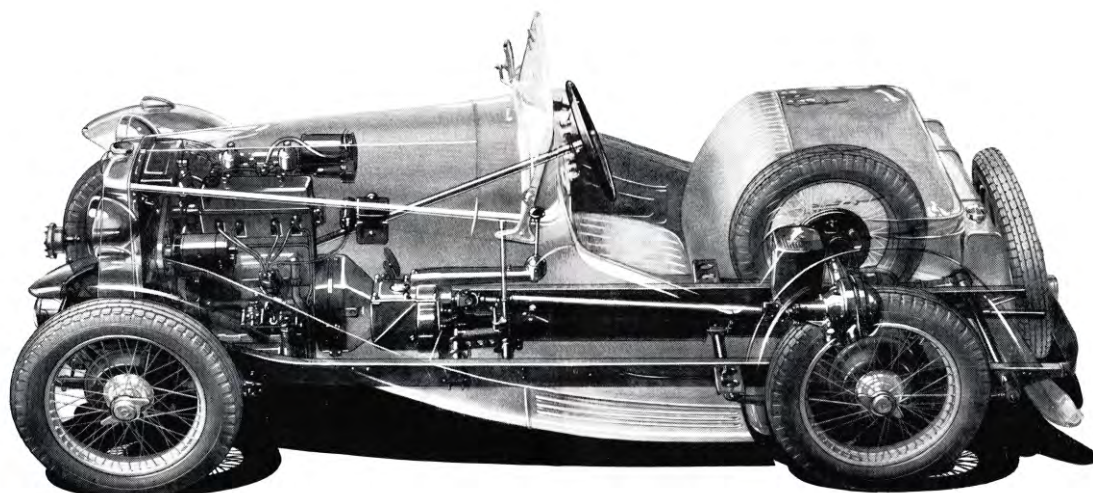
8 Exchange Items

We regret that in some cases we must insist on receipt of old units before any items marked "Exchange" in the catalogue or price list can be supplied as it is necessary for us to check whether such parts are original and in repairable condition. Cash deposits are not acceptable as replacement parts are often unobtainable. Old units sent for exchange must be clearly labelled with your customer number, name and address. Overseas customers should mark parcels containing exchange items "Goods of UK origin returned for repair".

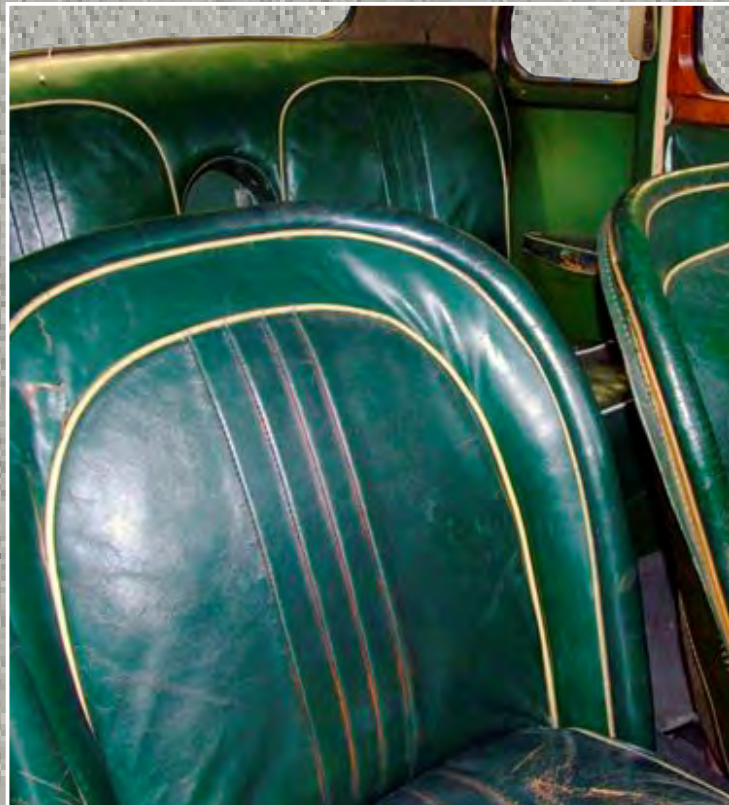
9 Trades Description Act

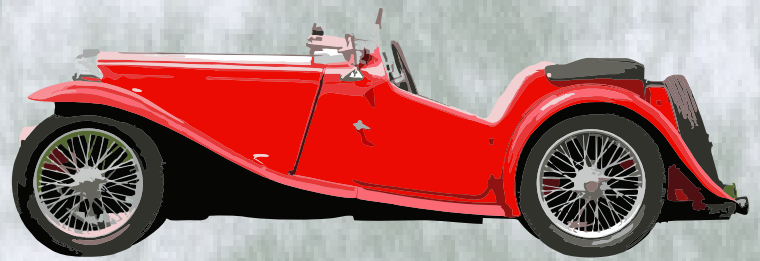
We have made every effort to ensure that all descriptions used in our catalogues comply with the above act. However, should customers feel that there is a discrepancy of any kind, we would request that the matter be brought to our attention.

MG and the MG Octagon logo are Trade Marks of the Rover Group Limited and are used under their licence under the Quality Approval Scheme administered by British Motor Heritage Limited on behalf of the Rover Group Limited.

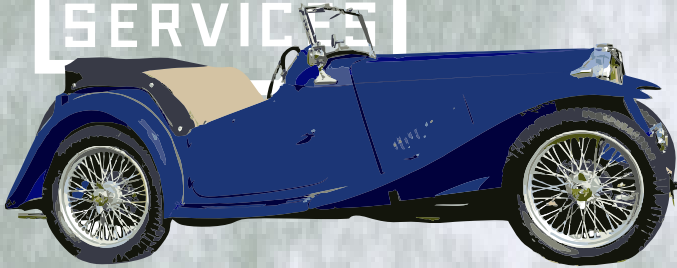


TA, the first T-Type 1936 from the original sales brochure

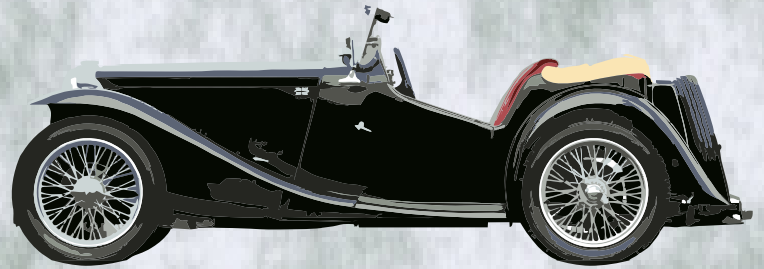




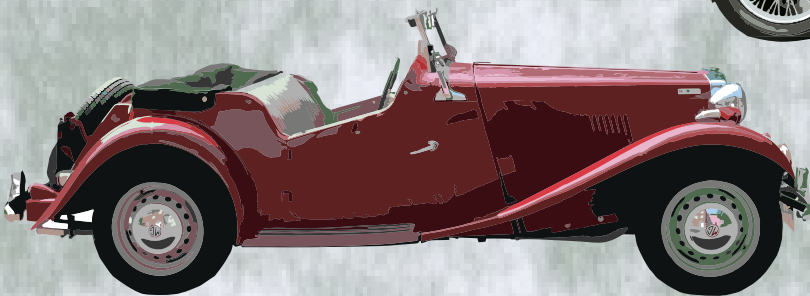
MG TA Midget: Production: 1936–1939
3003 built



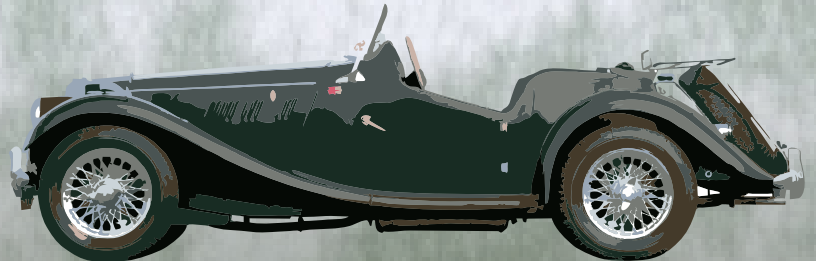
MG TB Midget: Production: 1939–1940
379 built



MG TC Midget: Production: 1945–1949
10,001 built



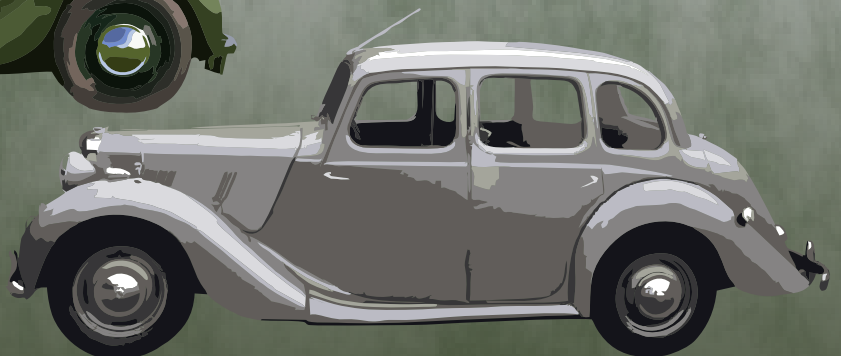
MG TD Midget: Production: 1950–1953
29,664 built



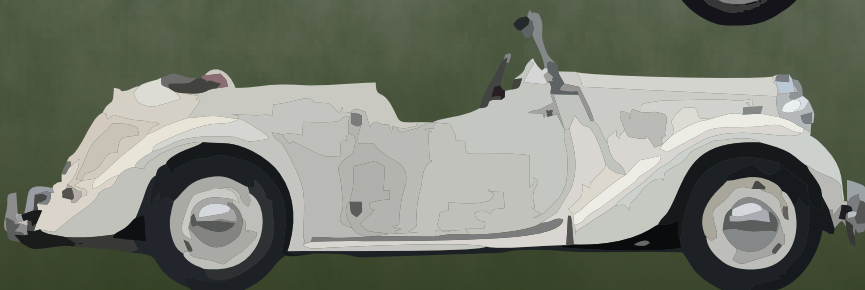
MG TF Midget: Production: 1953–1955
9,600 built



MG YA: Production: 1947–1951
6158 built



MG YB: Production: 1951–1953
1,301 built



MG YT: Production: 1947–1953
877 built

NTG Motor Services Ltd
282-284 Bramford Road Ipswich IP1 4AY
Tel: +44(0)1473 406031/2 Fax: +44(0)1473 742087
sales@mgbits.com